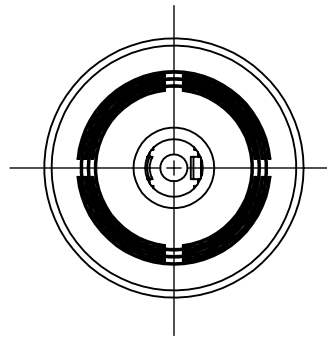
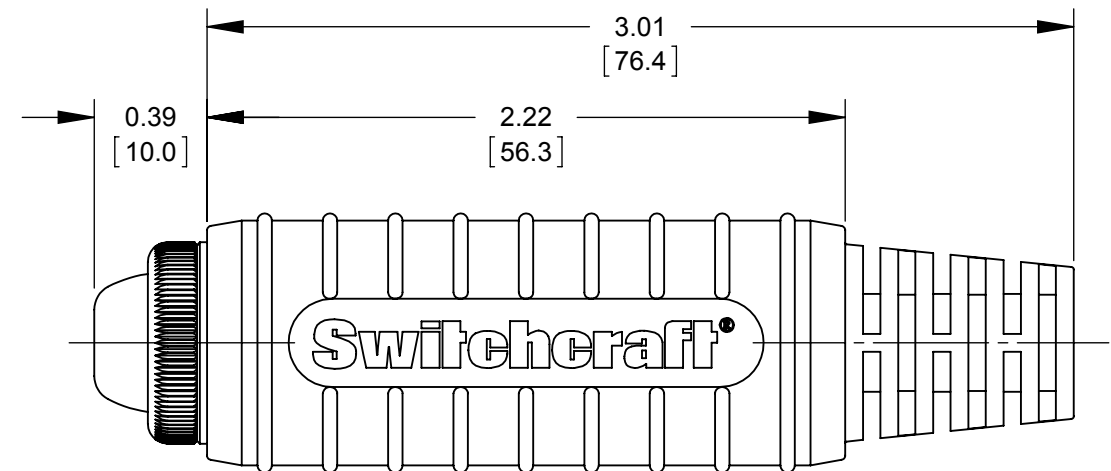
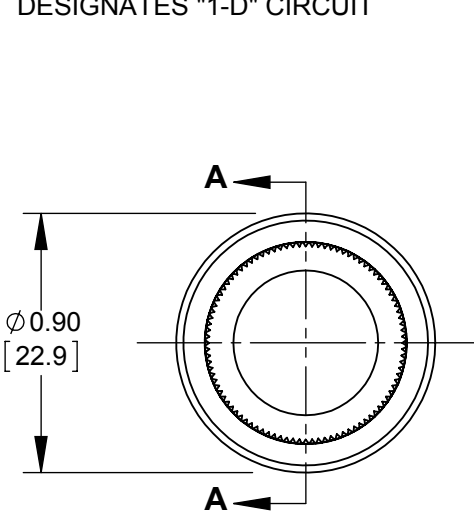
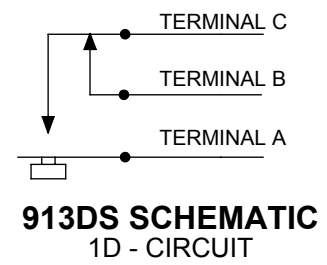
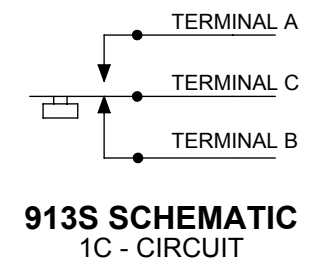
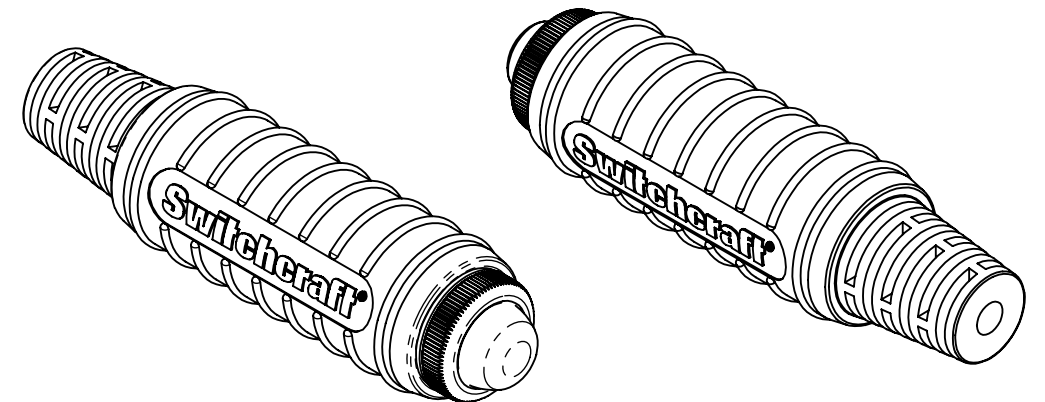


913S/913DS MOMENTARY SWITCH HOUSING - NICKEL PLATED, COPPER ALLOY
BUTTON SEAL - THERMOPLASTIC, BLACK
INSULATORS - RIGID PLASTIC
TERMINALS - SILVER PLATED, COPPER ALLOY
O-RING - THERMOPLASTIC RUBBER

WHITE DOT ON BACK OF SWITCH DESIGNATES "1-D" CIRCUIT

SEALING HANDLE
HANDLE - THERMOPLASTIC, BLACK
OVERMOLD - THERMOPLASTIC RUBBER, BLACK



PART NUMBER	SEALED BUTTON SWITCH	SWITCH CIRCUIT	CABLE NOMINAL O.D. RANGE
EP913S14	913S	1 - C	0.140 - 0.170
EP913S17			0.170 - 0.200
EP913S20			0.200 - 0.230
EP913S23			0.230 - 0.255
EP913DS14	913DS	1 - D	0.140 - 0.170
EP913DS17			0.170 - 0.200
EP913DS20			0.200 - 0.230
EP913DS23			0.230 - 0.255

CUSTOMER DRAWING

NOTES:

1. COMPLETED ASSEMBLY ON CABLE MEETING MINIMUM REQUIREMENT SPECIFICATIONS SHALL MEET IP67 RATING.
2. OUTER JACKET OF CABLE USED IN ASSEMBLY MUST BE SMOOTH, ROUND, FLEXIBLE, AND FALL WITHIN THE SPECIFIED CABLE RANGE PER THE HANDLE.
3. USING CABLE OD CLOSER TO THE CABLE RANGE MAXIMUM PER HANDLE WILL ENSURE A MORE SECURE SEAL.
4. SWITCH AND O-RING SHIPPED UNASSEMBLED.
5. THIS PART IS RoHS COMPLIANT.

REV	ECO NUMBER	DATE	BY	APVD
A	27625	12-9-15	TO	TJK
REVISIONS				

UNLESS OTHERWISE SPECIFIED
 1. ALL DIMENSIONS IN INCHES [mm]
 - TWO PLACE DECIMALS ±0.02 [0.5]
 - THREE PLACE DECIMALS ±0.005 [0.13]

DO NOT SCALE DRAWING

THIS DRAWING DESCRIBES A DESIGN CONSIDERED PROPRIETARY IN NATURE, DEVELOPED AND MANUFACTURED BY SWITCHCRAFT INC. AND IS RELEASED ON A CONFIDENTIAL BASIS FOR IDENTIFICATION PURPOSES ONLY.									
SIZE	WIDTH	MULT	LBS/M	TEMPER					
FINISH SPEC No.			MATERIAL SPEC No.						
FIRST USED ON			SCALE 3:2						
DATE DRAWN	BY	CHKD	APVD	Switchcraft®					
02/29/12	TS	TS	TJK						
NAME SEALED CORD SWITCH ASSEMBLY, RoHS				PART No. EP913_S__SERIES			REV A		