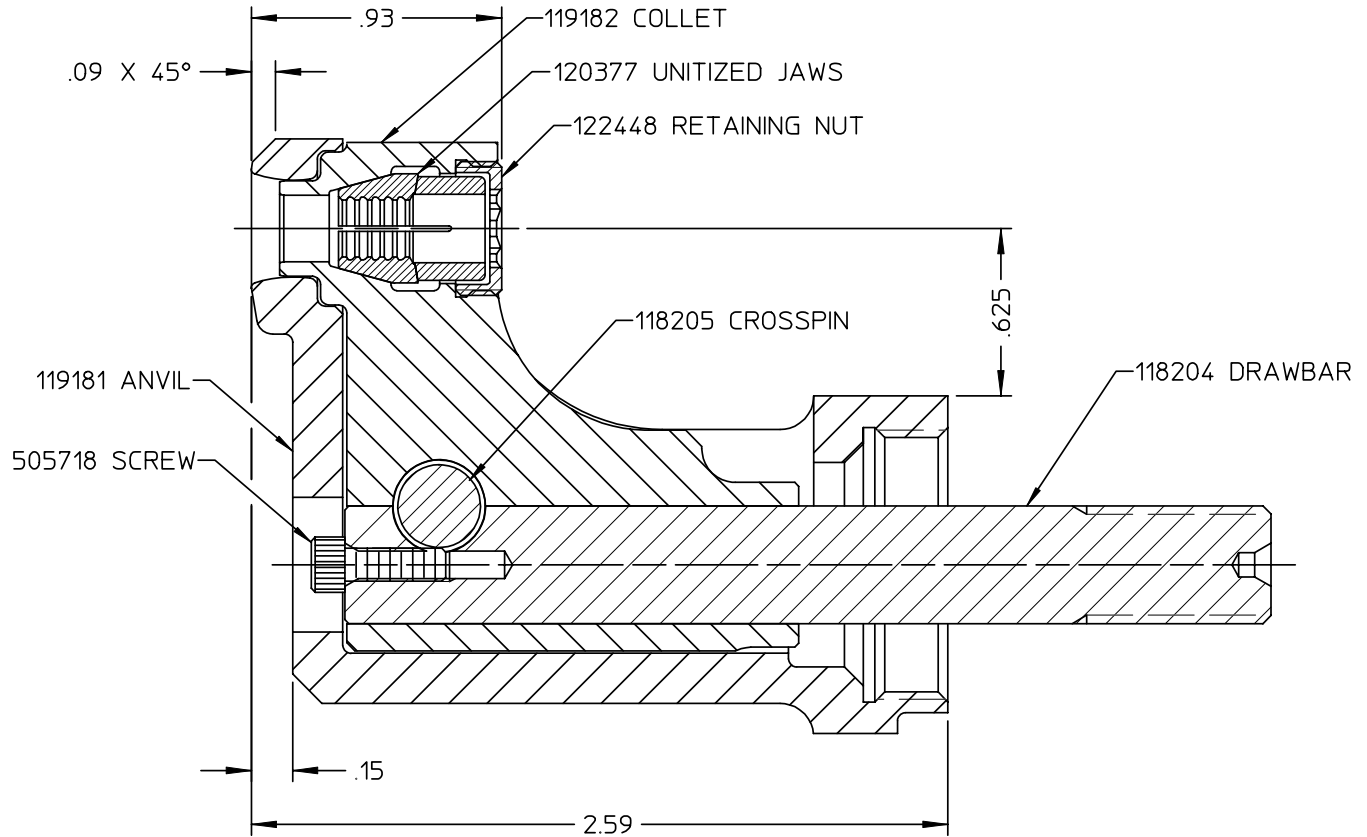
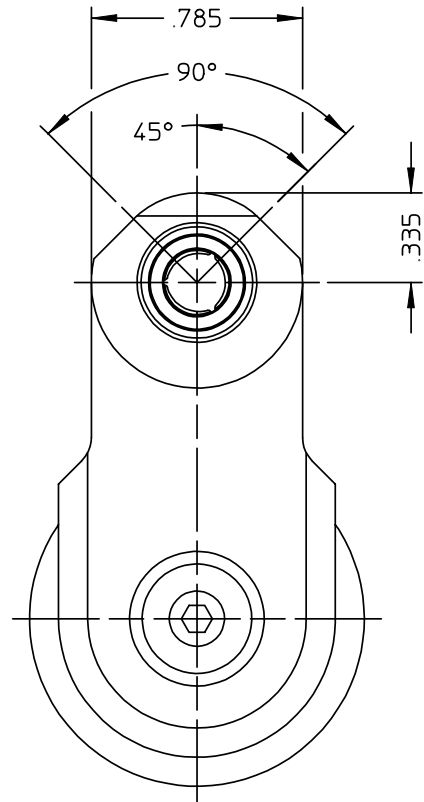


# DATA SHEET



**NOTES:**

- 1 MAXIMUM RECOMMENDED STROKE: .500
- 2 FOR USE WITH THE 225/245 TOOL, USE ATTACHMENT P/N 119400 AND STROKE LIMITER 118362.
- 3 FOR USE WITH THE 2500 TOOL, USE ATTACHMENT P/N 119400 AND STROKE LIMITER KIT 119888.
- 4 FOR OTHER TOOLS AND/OR OTHER TOOL AND STROKE COMBINATIONS, CONSULT ENGINEERING DEPARTMENT.
- 5 OPTIONAL DEFLECTOR KIT P/N 122911 AVAILABLE FOR THIS NOSE ASSEMBLY.
- 6 OPTIONAL LOOSE CHUCK JAW KIT P/N 123482 AVAILABLE FOR THIS NOSE ASSEMBLY CONSISTS OF:  
120712 CHUCK JAWS  
118207 FOLLOWER  
505717 SPRING  
122449 LOCATER  
122448 RETAINER

**Alcoa Fastening Systems**

Commercial Products  
1 Corporate Drive, Kingston, NY 12401

NOSE TYPE: NON-SELF-RELEASING

FASTENER TYPE: -08 GP

TOOL(S): 206-375

Notes: OBSOLETE  
SUPERSEDED BY: 99-3705

Product Revision: **F**

US Patent:

Date: 06/24/03

**99-1705**

Part Number