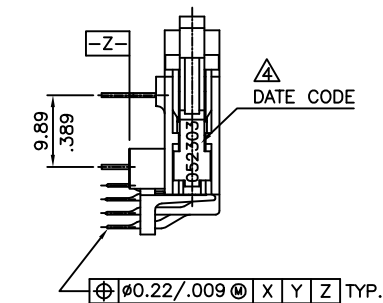
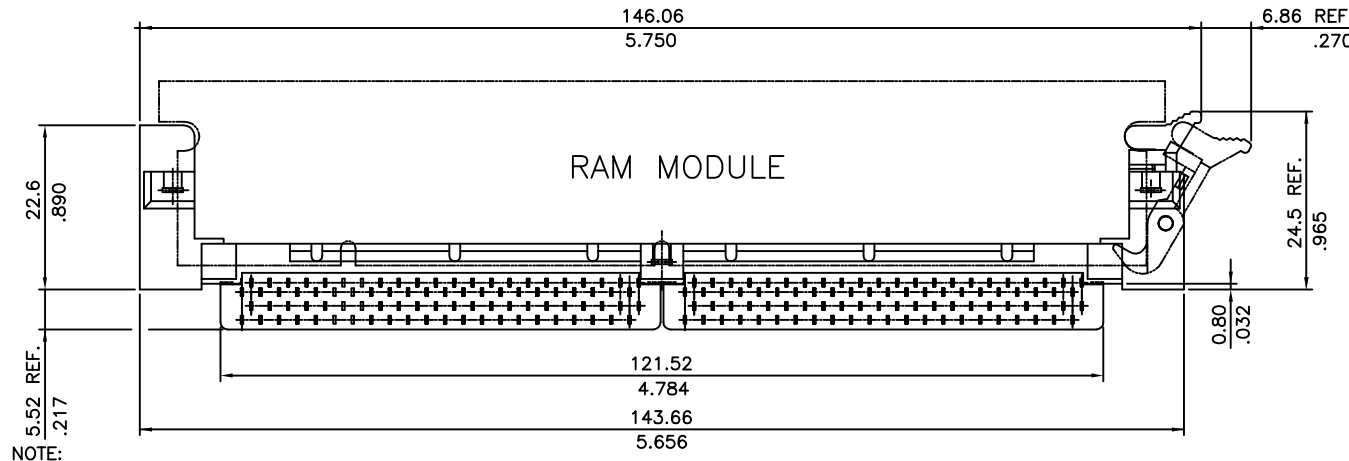
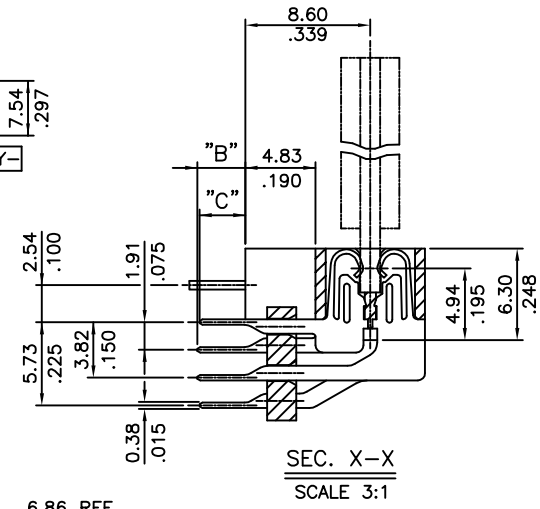
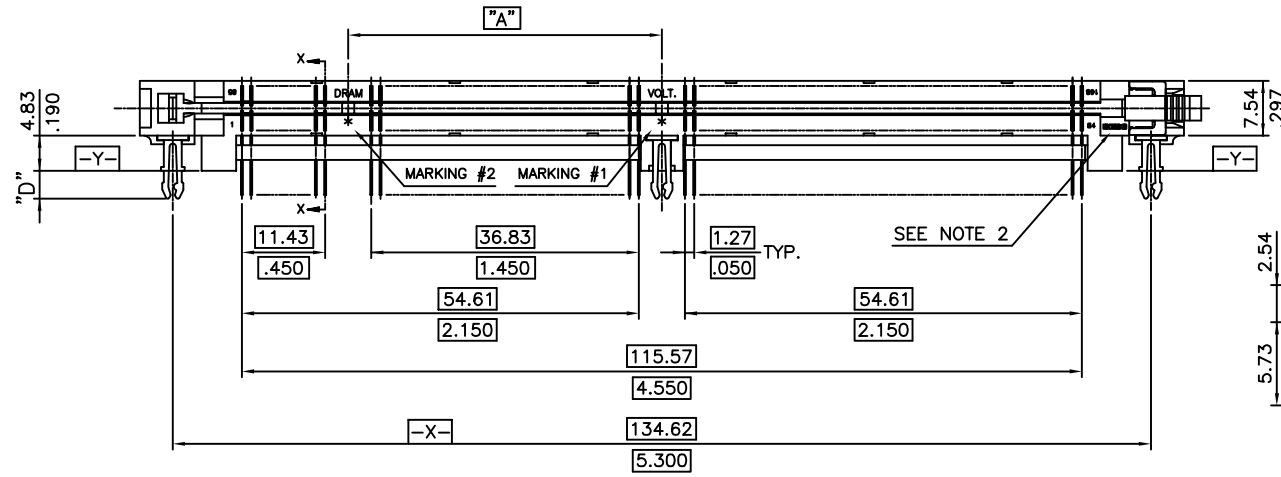


All rights strictly reserved. Reproduction or issue to third parties in any form whatever is not permitted without written authority from the proprietor. Property of FCI. Copyright FCI.

Tous droits strictement reserves. Reproduction ou communication a des tiers interdite sous quelque forme que ce soit sans autorisation ecrite du propriétaire. Propriete de c FCI. Droits de reproduction FCI.



- NOTE:
- MATERIAL:
HOUSING: LIQUID CRYSTAL POLYMER OR OTHER HIGH PERFORMANCE RESINS, GLASS FILLED UL94V-0 RATED, COLOR BLACK.
EJECTOR: LIQUID CRYSTAL POLYMER OR OTHER HIGH PERFORMANCE RESINS, GLASS FILLED UL94V-0 RATED, COLOR NATURAL.
TAIL GUIDE: LIQUID CRYSTAL POLYMER OR OTHER HIGH PERFORMANCE RESINS, GLASS FILLED UL94V-0 RATED, COLOR BLACK.
TERMINAL: PHOSPHOR BRONZE.
METAL CLIP: PHOSPHOR BRONZE.
 - BERG LOGO TO BE APPROXIMATELY LOCATED AS SHOWN ON PRINT.
 - PRODUCT SPECIFICATION: GS-12-066.
 - THE DATE CODE IS SHOWN "MM-DD-YY".
 - THIS PRODUCT MEETS EUROPEAN UNION DIRECTIVES AND OTHER COUNTRY REGULATIONS AS DESCRIBED IN GS-22-008.
 - THE HOUSING WILL WITH STAND EXPOSURE TO 260° PEAK TEMPERATURE FOR 10 SECONDS IN A WAVE SOLDER APPLICATION.

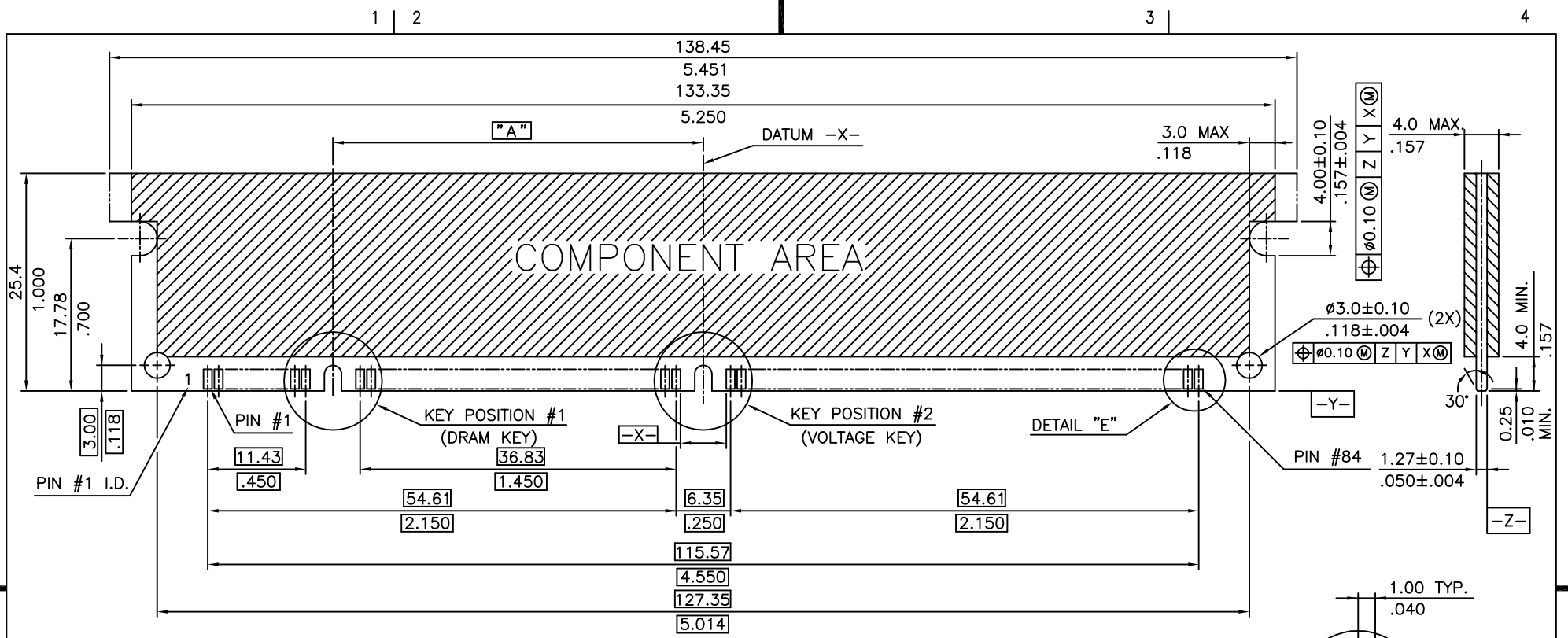
CONFIDENTIAL

mat'l. code				tolerances unless otherwise specified		CUSTOMER COPY
ltr	ecn no	dr	date	linear	angles	
J	T10056	M W	02/27/01	.X ±0.38/.015	0° ±2'	projection
K	T03-0194	M W	05/23/03	.XX ±0.25/.010		
L	T04-0078	M W	02/23/04	.XXX ±0.13/.005		MM
M	T04-0119	M W	03/11/04	dr CATHY LIN	11/21/94	
N	T04-0145	M W	04/08/04	enr CATHY LIN	11/21/94	scale
P	T05-0274	R C	12/07/05	chr WAYNE YU	11/21/94	
R	pg05-0529	K W	12/15/05	appd JENN TSAO	11/21/94	1:1
sheet index	revision sheet	R	K	K	R	
		1	2	3	4	

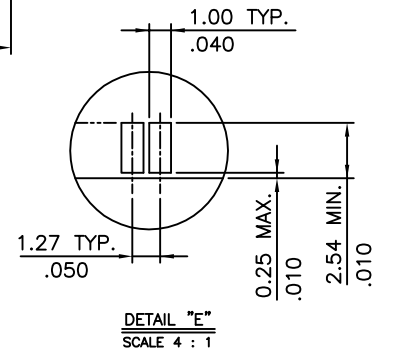
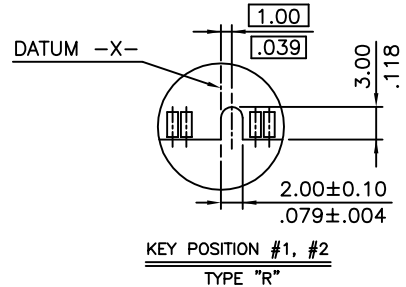
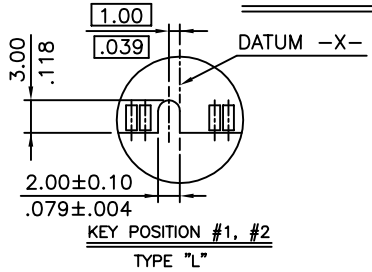
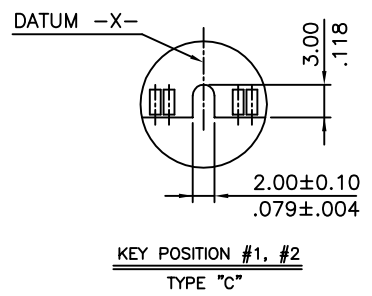
CUSTOMER COPY		title		product family		code	
projection		DIMM, .050" 1-ROW, 168P R/A ASS'Y METAL CLIP		DIMM		-	
MM		size		dwg no		sheet	
scale		A4		95566		1 of 4	
sheet index		cage code		STATUS: Released		Printed	
				526		Jun 03, 2008	

Tous droits strictement réservés. Reproduction ou communication a des tiers interdite sous quelque forme que ce soit sans autorisation écrite du propriétaire. Propriété de c FCI. Droits de reproduction FCI.

All rights strictly reserved. Reproduction or issue to third parties in any form whatever is not permitted without written authority from the proprietor. Property of FCI. Copyright FCI.



RECOMMENDED MODULE LAYOUT



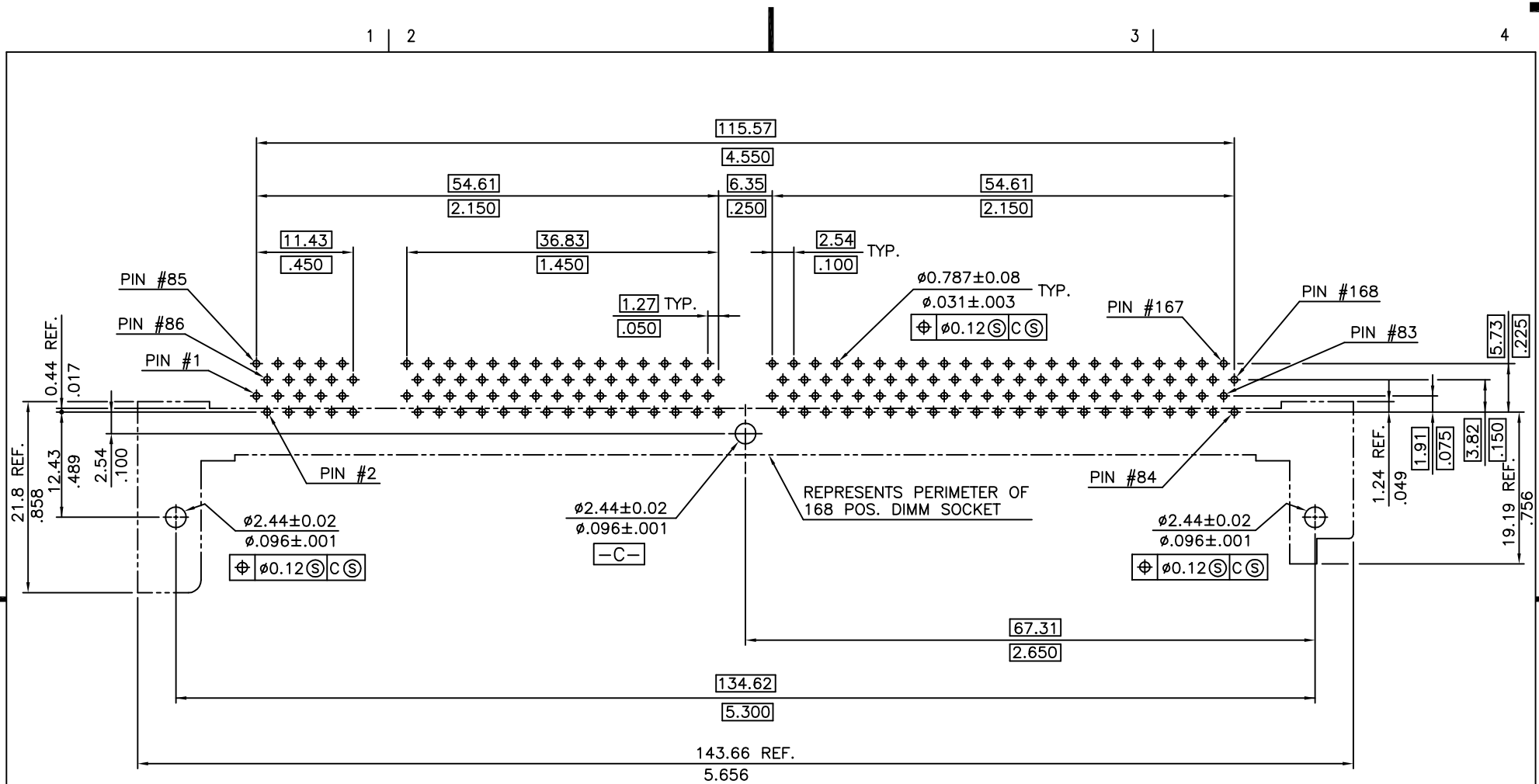
KEY POS. #1	KEY POS. #2	DIM. "A"	DESCRIPTION
TYPE "R"	TYPE "C"	42.18 1.661	FOR UNBUFFERED DRAM, SYNC DRAM, REGISTERED SDRAM, 3.3 VOLT.
TYPE "L"	TYPE "C"	44.18 1.739	FOR OPEN, 3.3 VOLT.
TYPE "C"	TYPE "C"	43.18 1.700	FOR STANDARD DRAM, BUFFERED, 3.3 VOLT.
TYPE "R"	TYPE "L"	41.18 1.621	FOR NON-STANDARD DRAM, 5.0 VOLT.
TYPE "L"	TYPE "L"	43.18 1.700	FOR SYNC DRAM, 5.0 VOLT.
TYPE "C"	TYPE "L"	42.18 1.661	FOR STANDARD DRAM, 5.0 VOLT.

mat'l. code				tolerances unless otherwise specified		CUSTOMER COPY	 www.fciconnect.com
ltr	ecn no	dr	date	linear	.X ±0.38/.015		
K				angles	.XX ±0.25/.010	projection	title DIMM, .050" 1-ROW, 168P R/A ASS'Y METAL CLIP
				dr	.XXX ±0.13/.005		
				enr	0' ±2'	MM	product family DIMM
				chr		scale 1.5:1	size
				appd		A4	95566
sheet index	revision sheet						code
							2 of

CONFIDENTIAL

Tous droits strictement réservés. Reproduction ou communication a des tiers interdite sous quelque forme que ce soit sans autorisation écrite du propriétaire. Propriété de c FCI. Droits de reproduction FCI.

All rights strictly reserved. Reproduction or issue to third parties in any form whatever is not permitted without written authority from the proprietor. Property of FCI. Copyright FCI.



RECOMMENDED CIRCUIT BOARD HOLE LAYOUT

CONFIDENTIAL

mat'l. code				tolerances unless otherwise specified			CUSTOMER COPY		 www.fciconnect.com		
ltr	ecn no	dr	date	linear	.X ±0.38/.015		projection	title			
K					.XX ±0.25/.010				DIMM, .050" 1-ROW, 168P		
					.XXX ±0.13/.005				R/A ASS'Y METAL CLIP		
				angles	0° ±2'		 MM scale 1.5:1	product family DIMM		code	
				dr	CATHY LIN	11/21/94		size		dwg no	sheet
				enr	CATHY LIN	11/21/94		A4		95566	3 of
				chr	WAYNE YU	11/21/94					
				appd	JENN TSAO	11/21/94					
sheet index	revision sheet										

All rights strictly reserved. Reproduction or issue to third parties in any form whatever is not permitted without written authority from the proprietor. Property of FCI. Copyright FCI.

Tous droits strictement reserves. Reproduction ou communication a des tiers interdite sous quelque forme que ce soit sans autorisation ecrite du propriétaire. Propriete de c FCI. Droits de reproduction FCI.

95566 - □ □ □ □

STYLE

- 1 : FOR STANDARD DRAM, 5.0 VOLT.
- 2 : FOR SYNC DRAM, 5.0 VOLT.
- 3 : FOR NON-STANDARD DRAM, 5.0 VOLT.
- 4 : FOR STANDARD DRAM, BUFFERED, 3.3 VOLT.
- 5 : FOR OPEN, 3.3 VOLT.
- 6 : FOR UNBUFFERED DRAM, SYNC DRAM, REGISTERED SDRAM, 3.3 VOLT.

PEG TYPE

- 0 : WITH METAL CLIP + DIM."D"=3.45/.136.
- 1 : WITH METAL CLIP + DIM."D"=3.85/.152.

PLATING

CODE	CONTACT	SOLDERTAIL	UNDERPLATE
1	150μ"(3.81μm) MIN. TIN/LEAD	100μ"(2.54μm) MIN. TIN/LEAD	50μ" (1.27μm) MIN. NICKEL OVERALL
2	15μ"(0.38μm) MIN. GOLD		
3	30μ"(0.76μm) MIN. GOLD		
4	3μ"(0.076μm) MIN. GOLD		
5	15μ"(0.38μm) MIN. GXT		
6	30μ"(0.76μm) MIN. GXT		
7	60μ"(1.52μm) MIN. GXT		
1LF	150μ"(3.81μm) MIN. 100% TIN	100μ"(2.54μm) MIN. 100% Tin	50μ" (1.27μm) MIN. NICKEL OVERALL
2LF	15μ"(0.38μm) MIN. GOLD		
3LF	30μ"(0.76μm) MIN. GOLD		
4LF	3μ"(0.076μm) MIN. GOLD		
5LF	15μ"(0.38μm) MIN. GXT		
6LF	30μ"(0.76μm) MIN. GXT		
7LF	60μ"(1.52μm) MIN. GXT		

TAIL LENGTH

CODE	DIM. "B"	DIM. "C"
0	2.54 .100	2.39 .094
1	3.30 .130	3.15 .124

95566-6010*	42.18 1.661	3.30	3.15	3.45 .136	BLACK	IVORY	BLACK	FOR UNBUFFERED DRAM, SYNC DRAM, REGISTERED SDRAM, 3.3 VOLT.	NONE	3.3	
95566-6112*		.130	.124	3.85 .152	IVORY	IVORY	IVORY				
95566-6111*	44.18 1.739	3.30 .130	3.15 .124	3.85 .152	IVORY	BLACK	IVORY	FOR OPEN, 3.3 VOLT.	NO MARKING	3.3	
95566-6110*					BLACK	IVORY	BLACK				
95566-6002*	43.18 1.700	2.54 .100	2.39 .094	3.45 .136	IVORY	IVORY	IVORY	FOR STANDARD DRAM, BUFFERED, 3.3 VOLT.	STD	3.3	
95566-6001*					IVORY	BLACK	IVORY				
95566-6000*	41.18 1.621	3.30 .130	3.15 .124	3.85 .152	BLACK	IVORY	BLACK	FOR NON-STANDARD DRAM, 5 VOLT.	NONE	5.0	
95566-5111*					IVORY	BLACK	IVORY				
95566-5110*	43.18 1.700	2.54 .100	2.39 .094	3.45 .136	IVORY	BLACK	IVORY	FOR SYNC DRAM, 5 VOLT.	SYNC	5.0	
95566-5001*					BLACK	IVORY	BLACK				
95566-5000*	42.18 1.661	3.30 .130	3.15 .124	3.85 .152	IVORY	BLACK	IVORY	FOR STANDARD DRAM, 5 VOLT.	STD	5.0	
95566-4111*					BLACK	IVORY	BLACK				
95566-4110*	44.18 1.739	2.54 .100	2.39 .094	3.45 .136	IVORY	BLACK	IVORY	FOR OPEN, 3.3 VOLT.	NO MARKING	3.3	
95566-4001*					BLACK	IVORY	BLACK				
95566-4000*	41.18 1.621	3.30 .130	3.15 .124	3.85 .152	IVORY	BLACK	IVORY	FOR STANDARD DRAM, BUFFERED, 3.3 VOLT.	STD	3.3	
95566-3111*					BLACK	IVORY	BLACK				
95566-3110*	43.18 1.700	2.54 .100	2.39 .094	3.45 .136	IVORY	BLACK	IVORY	FOR NON-STANDARD DRAM, 5 VOLT.	NONE	5.0	
95566-3001*					BLACK	IVORY	BLACK				
95566-3000*	42.18 1.661	3.30 .130	3.15 .124	3.85 .152	IVORY	BLACK	IVORY	FOR SYNC DRAM, 5 VOLT.	SYNC	5.0	
95566-2111*					BLACK	IVORY	BLACK				
95566-2110*	44.18 1.739	2.54 .100	2.39 .094	3.45 .136	IVORY	BLACK	IVORY	FOR STANDARD DRAM, 5 VOLT.	STD	5.0	
95566-2001*					BLACK	IVORY	BLACK				
95566-2000*	41.18 1.621	3.30 .130	3.15 .124	3.85 .152	IVORY	BLACK	IVORY	FOR OPEN, 3.3 VOLT.	NO MARKING	3.3	
95566-1111*					BLACK	IVORY	BLACK				
95566-1110*	43.18 1.700	2.54 .100	2.39 .094	3.45 .136	IVORY	BLACK	IVORY	FOR STANDARD DRAM, BUFFERED, 3.3 VOLT.	STD	3.3	
95566-1001*					BLACK	IVORY	BLACK				
95566-1000*	42.18 1.661	3.30 .130	3.15 .124	3.85 .152	IVORY	BLACK	IVORY	FOR NON-STANDARD DRAM, 5 VOLT.	NONE	5.0	
95566-1000*					BLACK	IVORY	BLACK				
PROD. NO.	DIM."A"	DIM."B"	DIM."C"	DIM."D"	HOUSING COLOR	EJECTOR COLOR	TAIL GUIDE COLOR	STYLE	MARKING #2	STYLE	MARKING #1

COLOR OF HOUSING AND EJECTOR

- 0 : BLACK HOUSING + IVORY EJECTOR + BLACK TAIL GUIDE
- 1 : IVORY HOUSING + BLACK EJECTOR + IVORY TAIL GUIDE
- 2 : IVORY HOUSING + IVORY EJECTOR + IVORY TAIL GUIDE

CONFIDENTIAL

mat'l. code				tolerances unless otherwise specified				CUSTOMER COPY		 www.fciconnect.com	
ltr	ecn no	dr	date	linear	.X ±0.38/.015	projection		title			
R					.XX ±0.25/.010			DIMM, .050" 1-ROW, 168P			
				angles	.XXX ±0.13/.005			R/A ASS'Y METAL CLIP			
				dr	CATHY LIN 11/21/94	MM		product family	DIMM	code	
				enr	CATHY LIN 11/21/94	←		size	dwg no	-	
				chr	WAYNE YU 11/21/94	scale		95566		sheet	
				appd	JENN TSAO 11/21/94	1:1	A4			4 of	
sheet index	revision sheet										