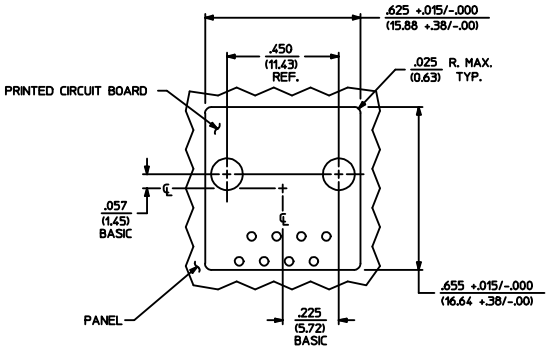
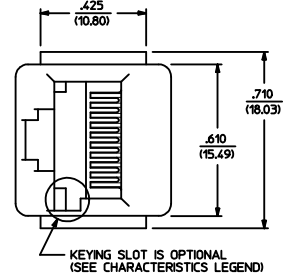


| MODULAR JACK CHARACTERISTICS LEGEND  |  |
|--|--|
| EXTERNAL CONNECTOR BODY DIMENSIONS: (SEE NOTES 8 AND 9)<br>JACKS ARE AVAILABLE IN STANDARD 4, 6, AND 8 POSITION BODY SIZES   |  |
| NUMBER OF CONTACT POSITIONS:<br>CONNECTOR SIZE 4 CAN ACCOMMODATE 2 OR 4 TERMINALS,<br>CONNECTOR SIZE 6 CAN ACCOMMODATE 2, 4, OR 6 TERMINALS,<br>CONNECTOR SIZE 8 CAN ACCOMMODATE 2, 4, 6, 8, OR 10 TERMINALS |  |
| POLARIZATION OPTION:<br>"NO"= JACKS WITHOUT KEYING SLOT<br>"YES"= JACKS WITH KEYING SLOT (AVAILABLE ON CONNECTOR SIZE 8 ONLY)  |  |
| MOUNTING EARS OPTION:<br>"YES"= JACKS WITH MOUNTING EARS<br>"NO"= JACKS WITHOUT MOUNTING EARS  |  |

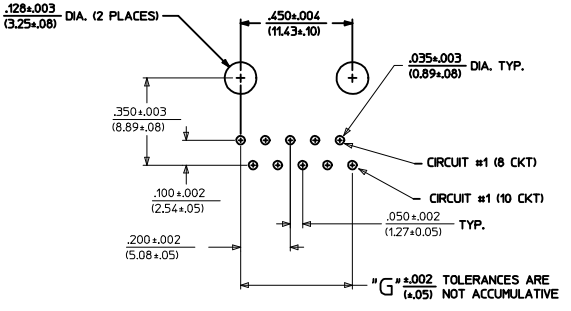
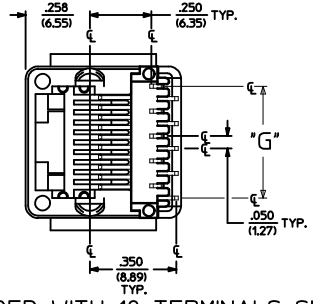
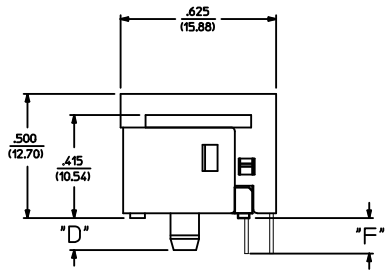
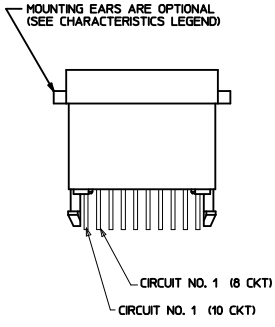
- NOTES:
- 1) MATERIALS: HOUSING- POLYESTER, GLASS FILLED, UL94V-0, COLOR - BLACK  
TERMINALS- PHOSPHOR BRONZE ALLOY, .015/(0.38) THICK.
  - 2) TERMINAL PLATING:  
SELECT GOLD IN CONTACT AREA: 50 MICRONS MIN.  
\*SELECT TIN IN PC TAIL AREA: 100 MICRONS MIN.  
WITH OVERALL NICKEL UNDERPLATE: 50 MICRONS MIN.  
\*THE PRIMARY SHIPPING CARTON WILL BE LABELED "COMPLIANT TO ROHS DIRECTIVE 2002/95/EC AND ELV ANNEX II OF DIRECTIVE 2000/53/EC". CARTONS WITHOUT THIS LABEL MAY CONTAIN PRODUCT WITH TIN-LEAD IN THE PC TAIL.
  - 3) THESE MODULAR JACKS MEET THE PERFORMANCE REQUIREMENTS OF MOLEX PRODUCT SPECIFICATION PS-42878.
  - 4) CONNECTORS ARE SHIPPED IN THERMOFORMED TRAYS, PER PACKAGING SPECIFICATION PK-42878-492.
  - 5) ALL JACKS ARE DESIGNED TO BE USED WITH .062/(1.57) OR .125/(3.18) THICK P.C. BOARDS.
  - 6) ALL JACKS CONFORM TO AND ACCEPT PLUGS WHICH CONFORM TO FCC RULES AND REGULATIONS PART 68, SUBPART E.
  - 7) ALL JACKS MUST BE CAPABLE OF FITTING INTO MOLEX GAGE G-42410 (CONNECTOR SIZE 8).
  - 8) SEE SHEETS 1 & 4 FOR CONNECTOR SIZE 4.
  - 9) SEE SHEETS 2 & 4 FOR CONNECTOR SIZE 6.
  - 10) ENGRAVED NUMBERS ON HOUSING BODY ARE FOR MOLDING IDENTIFICATION ONLY, THEY ARE NOT INTENDED FOR ASSEMBLY IDENTIFICATION PURPOSES.
  - 11) THIS PART CONFORMS TO CLASS B REQUIREMENTS OF COSMETIC SPECIFICATION PS-45499-002 WITH THE EXCEPTION OF THE SINK WHICH CONFORMS TO CLASS C REQUIREMENTS.

| P.C. BOARD THICKNESS | DIM. "D" (MTG. PEGS) | DIM. "F" (P.C. TAILS)             |
|----------------------|----------------------|-----------------------------------|
| .062/(1.57)          | .128 (3.25)          | .120 +.015/-0.25 (3.05 +.38/-6.3) |
| .125/(3.18)          | .191 (4.85)          | .205 +.015/-0.25 (5.21 +.38/-6.3) |

| CONNECTOR SIZE | CIRCUIT SIZE | DIM. "G"     |
|----------------|--------------|--------------|
| 8              | 10           | .450 (11.43) |
| 8              | 8            | .350 (8.89)  |
| 8              | 6            | .250 (6.35)  |
| 8              | 4            | .150 (3.81)  |
| 8              | 2            | .050 (1.27)  |



PANEL CUT-OUT FOR CONNECTOR SIZE 8



P.C. BOARD LAYOUT FOR CONNECTOR SIZE 8  
10 CIRCUIT SHOWN

SIZE 8 MODULAR JACK LOADED WITH 10 TERMINALS SHOWN ABOVE

| ADD COSMETIC SPEC<br>EC NO. UCP2009-1267<br>DRAWN:JKLOS/EMELER 2008/12/01<br>CHKD:JBELL 2008/12/02<br>APPR:FSM/TH 2008/12/02 | QUALITY SYMBOLS<br>=0<br>=0 | GENERAL TOLERANCES (UNLESS SPECIFIED)   |        | DIMENSION STYLE                                      |              | SCALE       | DESIGN UNITS | THIRD ANGLE PROJECTION |   |
|--|-----------------------------|---|--------|--|--------------|-------------|--------------|------------------------|---|
|  |                             | mm  | INCH   | IN/MM  |              | 1:1         | INCH         | INCH                   |   |
|  |                             | 4 PLACES  | ± ---  | ± ---  | DRAWN BY     | BAP         | DATE         | 1992/04/09             | ASSEMBLY, VERTICAL LOW PROFILE MODULAR JACKS (CONNECTOR SIZE 8) |
|  |                             | 3 PLACES  | ± ---  | ± .010   | CHECKED BY   | BAP         | DATE         | 1992/04/09             |   |
|  |                             | 2 PLACES  | ± 0.25 | ± ---  | APPROVED BY  | RAS         | DATE         | 1992/04/09             | MOLEX INCORPORATED  |
|  |                             | 1 PLACE   | ± ---  | ± ---  | MATERIAL NO. | SEE SHEET 5 | DOCUMENT NO. | SDA-42878-****         |   |
|  |                             | ANGULAR ±1/2°   |        | DRAFT WHERE APPLICABLE MUST REMAIN WITHIN DIMENSIONS |              | SHEET NO.   |              | 3 OF 5                 |   |
|  |                             | THIS DRAWING CONTAINS INFORMATION THAT IS PROPRIETARY TO MOLEX INCORPORATED AND SHOULD NOT BE USED WITHOUT WRITTEN PERMISSION |        |  |              |             |              |                        |   |

|               |             | PART CHARACTERISTICS    |                     |                       |                     |                      |               |      | PART CHARACTERISTICS    |                     |                                  |                     |                      |               |      | PART CHARACTERISTICS    |                     |                                  |                     |                      |
|---------------|-------------|-------------------------|---------------------|-----------------------|---------------------|----------------------|---------------|------|-------------------------|---------------------|----------------------------------|---------------------|----------------------|---------------|------|-------------------------|---------------------|----------------------------------|---------------------|----------------------|
| *X=NOT TOOLED |             | EXTERNAL CONNECTOR SIZE | NUMBER OF POSITIONS | P. C. BOARD THICKNESS | POLARIZATION OPTION | MOUNTING EARS OPTION | *X=NOT TOOLED |      | EXTERNAL CONNECTOR SIZE | NUMBER OF POSITIONS | BOARD THICKNESS/P.C. TAIL OPTION | POLARIZATION OPTION | MOUNTING EARS OPTION | *X=NOT TOOLED |      | EXTERNAL CONNECTOR SIZE | NUMBER OF POSITIONS | BOARD THICKNESS/P.C. TAIL OPTION | POLARIZATION OPTION | MOUNTING EARS OPTION |
| 42878-8408    | 8 POS. BODY | 8                       | .062                | NO                    | YES                 | 42878-8984           | 8 POS. BODY   | 4    | .062                    | NO                  | YES                              | 42878-1001          | 8 POS. BODY          | 10            | .062 | NO                      | YES                 |                                  |                     |                      |
| 42878-8410    | ↑           | ↑                       | ↑                   | NO                    | NO                  | 42878-8986           | ↑             | ↑    | ↑                       | NO                  | NO                               | 42878-1003          | ↑                    | ↑             | .062 | NO                      | NO                  |                                  |                     |                      |
| 42878-8456    | ↓           | ↓                       | ↓                   | YES                   | YES                 | 42878-9032           | ↓             | ↓    | ↓                       | YES                 | YES                              | 42878-1025          | ↓                    | ↓             | .125 | NO                      | YES                 |                                  |                     |                      |
| 42878-8458    |             |                         | .062                | YES                   | NO                  | 42878-9034           |               |      | .062                    | YES                 | NO                               | 42878-1027          |                      |               |      | NO                      | NO                  |                                  |                     |                      |
| 42878-8504    |             |                         | .125                | NO                    | YES                 | 42878-9080           |               |      | .125                    | NO                  | YES                              | 42878-1037          | ↓                    | ↓             | ↑    | YES                     | YES                 |                                  |                     |                      |
| 42878-8506    |             |                         | ↑                   | NO                    | NO                  | 42878-9082           |               |      | ↑                       | NO                  | NO                               | 42878-1039          | 8 POS. BODY          | 10            | .125 | YES                     | NO                  |                                  |                     |                      |
| 42878-8552    | ↓           | ↓                       | ↑                   | YES                   | YES                 | 42878-9128           | ↓             | ↓    | ↓                       | YES                 | YES                              |                     |                      |               |      |                         |                     |                                  |                     |                      |
| 42878-8554    | 8           | .125                    | YES                 | NO                    | NO                  | 42878-9130           | 4             | .125 | YES                     | NO                  |                                  |                     |                      |               |      |                         |                     |                                  |                     |                      |
| 42878-8696    | 6           | .062                    | NO                  | YES                   | NO                  | 42878-9272           | 2             | .062 | NO                      | YES                 |                                  |                     |                      |               |      |                         |                     |                                  |                     |                      |
| 42878-8698    | ↑           | ↑                       | NO                  | NO                    | NO                  | 42878-9274           | ↑             | ↑    | NO                      | NO                  |                                  |                     |                      |               |      |                         |                     |                                  |                     |                      |
| 42878-8744    | ↓           | ↓                       | YES                 | YES                   | YES                 | 42878-9320           | ↓             | ↓    | YES                     | YES                 |                                  |                     |                      |               |      |                         |                     |                                  |                     |                      |
| 42878-8746    |             |                         | .062                | YES                   | NO                  | 42878-9322           |               |      | .062                    | YES                 | NO                               |                     |                      |               |      |                         |                     |                                  |                     |                      |
| 42878-8792    |             |                         | .125                | NO                    | YES                 | 42878-9368           |               |      | .125                    | NO                  | YES                              |                     |                      |               |      |                         |                     |                                  |                     |                      |
| 42878-8794    | ↑           | ↑                       | NO                  | NO                    | NO                  | 42878-9370           | ↑             | ↑    | NO                      | NO                  |                                  |                     |                      |               |      |                         |                     |                                  |                     |                      |
| 42878-8840    | ↓           | ↓                       | YES                 | YES                   | YES                 | 42878-9416           | ↓             | ↓    | YES                     | YES                 |                                  |                     |                      |               |      |                         |                     |                                  |                     |                      |
| 42878-8842    | 8 POS. BODY | 6                       | .125                | YES                   | NO                  | 42878-9418           | 8 POS. BODY   | 2    | .125                    | YES                 | NO                               |                     |                      |               |      |                         |                     |                                  |                     |                      |

| CHARACTERISTICS LEGEND   |  |
|--|--|
| EXTERNAL CONNECTOR BODY DIMENSIONS:<br>AVAILABLE IN 4, 6, AND 8 POSITION BODY  |  |
| NUMBER OF CONTACT POSITIONS:<br>CONNECTOR SIZE 4 ACCOMMODATES 2, OR 4 TERMINALS,<br>CONNECTOR SIZE 6 ACCOMMODATES 2, 4, OR 6 TERMINALS,<br>CONNECTOR SIZE 8 ACCOMMODATES 2, 4, 6, 8, OR 10 TERMINALS |  |
| POLARIZATION OPTION: (AVAILABLE ON CONNECTOR SIZE 8 ONLY)<br>"NO" - WITHOUT KEYING SLOT<br>"YES" - WITH KEYING SLOT  |  |
| MOUNTING EARS OPTION:<br>"YES" - PART WITH MOUNTING EARS<br>"NO" - PART WITHOUT MOUNTING EARS  |  |
| (SEE SHEET 3 FOR PART DESCRIPTIONS AND DIMENSIONS)   |  |

|   |                 |                                       |                      |                                   |                     |                                 |  |   |
|---|-----------------|---------------------------------------|----------------------|-----------------------------------|---------------------|---------------------------------|--|---|
| SEE SHEET ONE<br>EC NO: UCP2004-667<br>DRW:LSCHMIDT 2004/03/03<br>CHK:LSCHMIDT 2004/03/03<br>APPR:ESMITH 2004/03/03           | QUALITY SYMBOLS | GENERAL TOLERANCES (UNLESS SPECIFIED) |                      | SCALE                             | DESIGN UNITS        | THIRD ANGLE PROJECTION          | REVISE ON CAD ONLY   |   |
|   | ▽ 0             | mm                                    | INCH                 | ---                               | INCH                |                                 |  |   |
|   | ▽ 0             | 4 PLACES ± --- ± ---                  | 3 PLACES ± --- ± --- | 2 PLACES ± --- ± ---              | 1 PLACE ± --- ± --- | IN/MM                           | TITLE<br>ASSEMBLY, VERTICAL LOW PROFILE MODULAR JACKS (CONNECTOR SIZE 8) |   |
|   |                 | ANGULAR ±1/2°                         |                      | DRAFT WHERE APPLICABLE            |                     | DRAWN BY DATE<br>BAP 1992/04/09 |  | MATERIAL NO. (DOCUMENT NO.)<br>SEE CHART SDA-42878-**** |
| MUST REMAIN WITHIN DIMENSIONS   |                 | APPROVED BY DATE<br>RAS 1992/04/09    |                      | CHECKED BY DATE<br>BAP 1992/04/09 |                     | SHEET NO.<br>5 OF 5             |  |   |
| THIS DRAWING CONTAINS INFORMATION THAT IS PROPRIETARY TO MOLEX INCORPORATED AND SHOULD NOT BE USED WITHOUT WRITTEN PERMISSION |                 |                                       |                      |                                   |                     |                                 |  |   |