

1

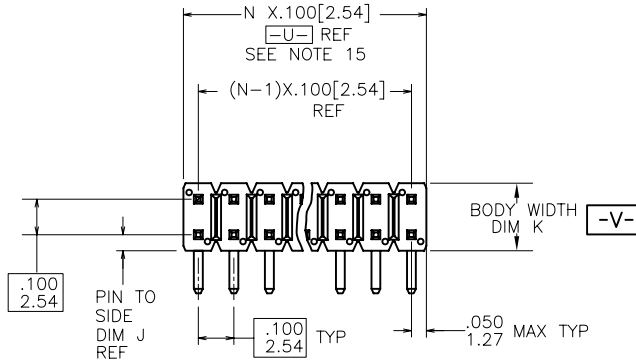
2

3

4

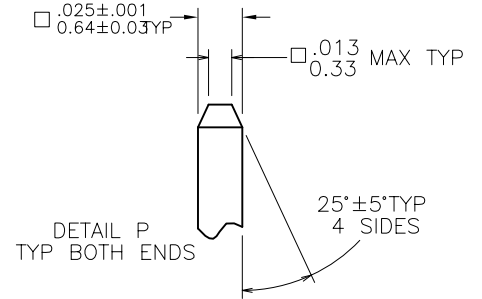
PRODUCT NUMBER
XXXXX-YYY HTLF

- LEAD FREE OPTION
SEE NOTE 1,8
- TUBE PACKAGING OPTION
SEE NOTE 1
- HIGH TEMPERATURE PLASTIC
SEE NOTE 1
- NO OF POSITIONS
SEE NOTE 1
- PIN PLATING
SEE SHEET 2
- BASE PART NO.



TOP VIEW

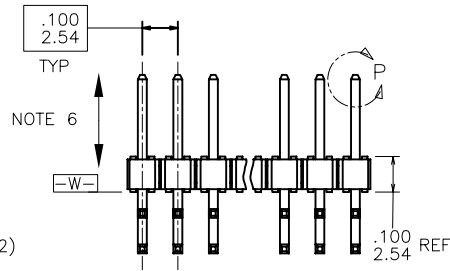
⊕ ∅ .020/.51 (M) U (M) V W
NOTE 4



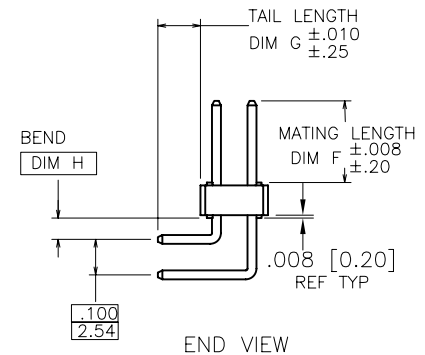
DETAIL P
TYP BOTH ENDS

68020-X XX-XXX XXX LF

- TAIL LENGTH (EXAMPLE BELOW)
3.0mm=030 12.8mm=128 (SEE NOTE 11 & 12)
- MATING LENGTH (EXAMPLE BELOW)
5.0mm=050 25.5mm=255 (SEE NOTE 11 & 12)
- TOTAL NUMBER OF POSITION
FROM 2(2X1) THRU 72 (2X36) POSITIONS
- PIN PLATING (SEE NOTE 9)
1=0.76µm Au
4= PURE TIN
8=0.36µm Au
- BASE PART NO.



SIDE VIEW



END VIEW



Copyright FCI.

www.fciconnect.com			surface 6.4 ISO 1302	tolerance std ISO 406 ISO 1101	projection ISO 1101	INCH/MM
TOLERANCES UNLESS OTHERWISE SPECIFIED			ANGULAR	LINEAR	size A4	Scale 1.000
Dr	D.WIHTING	03/08/93	0.X	±0.3	ECN	
Eng	T.HANNA	03/08/93	0.XX	±0.15		
Chr	T.BREWNAKER	03/08/93	0.XXX	±0.05		
Appr	T.HANNA	03/08/93	Product family BERGSTIK		Spec ref	
title BERGSTIK® II HEADER .100/2.54cc DR R/A			dwg no 68020		Rev. BM	
catalog no			Product-Customer Drw		sheet 1 of 5	

rev	ecn no	dr	date
BK	ELX-N-16105	ZK	2013-10-22
BL	ELX-N-19718	JH	2014-12-11
BM	ELX-N-20595	JH	2015-03-30
BG	M08-0331	MHT	12/01/08
BH	M09-0105	MHT	7/10/09
BJ	N11-0118	JZ	2011-04-12

1

2

3

4

PIN PLATING CODES:

XXXX-1YY	30u"/0.76u MIN (SEE NOTE 9) OVER 50u"/1.27u MIN Ni
XXXX-2YY	15u"/0.38u MIN (SEE NOTE 9) OVER 50u"/1.27u MIN Ni
XXXX-3YY	50u"/1.27u MIN (SEE NOTE 9) OVER 50u"/1.27u MIN Ni
XXXX-4YY	100u"/2.54u MIN Sn OVER 50u"/1.27u MIN Ni (SEE NOTE 10)
XXXX-4YYHLF	
XXXX-5YY	15u"/0.38u MIN (SEE NOTE 9) OVER 50u"/1.27u MIN Ni
XXXX-6YY	30u"/0.76u MIN (SEE NOTE 9) OVER 50u"/1.27u MIN Ni
XXXX-7YY	30u"/0.76u MIN (SEE NOTE 9) OVER 50u"/1.27u MIN Ni
XXXX-8YY	15u"/0.38u MIN (SEE NOTE 9) OVER 50u"/1.27u MIN Ni
XXXX-9YY	15u"/0.38u MIN (SEE NOTE 9) OVER 50u"/1.27u MIN Ni
XXXX-0YY	30u"/0.76u MIN (SEE NOTE 9) OVER 50u"/1.27u MIN Ni

NOTES

1. PART NUMBER OPTIONS:

PIN PLATING CODES (SEE ABOVE)

HIGH TEMP. MATERIAL:

PART NUMBERS WITH AND WITHOUT "H" WILL BE SUPPLIED WITH HIGH TEMPERATURE PLASTIC

NUMBER OF POSITION:

EVEN NUMBER OF POSITIONS FROM 2 (2X1) THRU 72 (2X36).

PACKAGING:

PACKAGED IN POLY BAGS.

EIGHT DIGIT PART NUMBERS FOLLOWED BY A "T" ARE PACKAGED IN TUBES. SEE SPECIFIC PART NUMBERS FOR AVAILABILITY.

LEAD FREE:

ADD "HLF" SUFFIX AT THE END OF PART NUMBER FOR LEAD FREE OPTION, NOT AVAILABLE FOR -5YY,-5YYH,-6YY & -6YYH.

2. BODY MATERIAL:

MANUFACTURER'S OPTION OF NYLON, PCT GLASS FIBER REINFORCED, OR MINERAL FILLED LCP FLAME RETARDANT PER UL-94V-0. COLOR: BLACK.

PART NUMBERS WITH AND WITHOUT "H" SUFFIX WILL WITHSTAND EXPOSURE TO 260°C PEAK TEMPERATURE FOR 20 SECONDS IN WAVE SOLDER, INFRA-RED OR VAPOR PHASE SOLDER PROCESS.

3. PIN MATERIAL: PHOS-BRONZE.

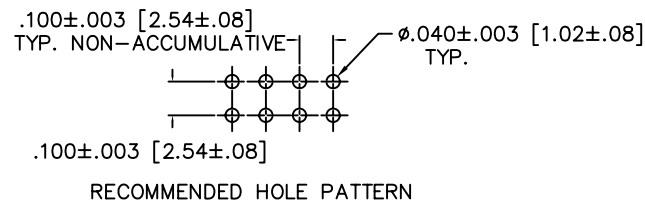
4. MEASURED WITH PART IN RESTRAINED CONDITION.

5. TWO SIDES OF PIN TIPS NOT PLATED. TYPICAL BOTH ENDS.

6. 2LBS/0.9KG MIN PIN RETENTION IN EITHER DIRECTION.

7. MILITARY BERGSTIK HEADER
P/N XXXXX-YYY-MIL
NOT AVAILABLE.

- 8. THESE PRODUCTS MEETS EUROPEAN UNION DIRECTIVES AND OTHER COUNTRY REGULATION AS DESCRIBED IN GS-22-008.
- 9. PLATING OPTIONS:
PERFORMANCE PLATING WILL BE EITHER GOLD OR GXT ON POST OR TAIL, OPTIONALLY (78~295u"/~2~7.5u) TIN ON TAIL.
- 10. THIS PRODUCT HAS 100% TIN PLATING IN THE INTERFACE AND HAS NOT BEEN TESTED FOR WHISKER GROWTH IN ALL INTERCONNECT ENVIRONMENTS."
- 11. THE OAL DON'T EXCEED 31mm
OAL= MATTING DIM + TAIL DIM +4.0mm<=31mm *WHERE THE SUM OF TAIL LEGTH DON'T EXCEED 27mm* TAIL
TAIL LENGTH MIN 2.00mm TAIL LENGTH MAX 10.4mm
MATTING LENGTH MIN 1.5mm MATTING LENGTH MAX 25.4mm
- 12. INCREMENTS BY 0.1mm IN LENGTH ONLY
- 13. FOR ESPECIAL PACKAGING REQUEST PLEASE CONTACT PRODUCT MANAGER FOR AVAILABILITY
- 14. BEND DIMENSION AT 1.5mm ONLY
- 15. TO DETERMINE DIMENSIONS:
N=NUMBER OF POSITION PER ROW
EXAMPLE: 10 PDS. N X .100/2.54



RECOMMENDED HOLE PATTERN



Copyright FCI.

www.fciconnect.com			surface ISO 1302 ✓	tolerance std ISO 406 ISO 1101	projection A4	INCH/MM
			TOLERANCES UNLESS OTHERWISE SPECIFIED		size	Scale 1.000
Dr	D.WIHTING	03/08/93	ANGULAR	0.X ±0.3	A4	Scale 1.000
Eng	T.HANNA	03/08/93	LINEAR	0.XX ±0.15		
Chr	T.BREWNAKER	03/08/93	0° ±2°	0.XXX ±0.05	ECN	
Appr	T.HANNA	03/08/93	Product family	BERGSTIK	Spec ref	
FCI		title		68020		Rev. BM
		BERGSTIK® II HEADER .100/2.54cc DR R/A				
		catalog no		Product-Customer Drw		sheet 2 of 5

1

2

3

4

PRODUCT NUMBER	MATING LENGTH		TAIL LENGTH		BEND DIM.		PIN TO SIDE		BODY WIDTH		PACKAGING	LF OPTION
	DIM F	DIM F	DIM G	DIM G	DIM H	DIM H	DIM J	DIM J	DIM K	DIM K		
	ENGLISH	METRIC	ENGLISH	METRIC	ENGLISH	METRIC	ENGLISH	METRIC	ENGLISH	METRIC		
68020-YYY	0.230	5.84	0.095	2.41	0.060	1.52	0.045	1.14	0.190	4.83	POLY BAGS/TUBES	NOTE 1,8
68021-YYY	0.230	5.84	0.120	3.05	0.060	1.52	0.045	1.14	0.190	4.83	POLY BAGS	
68022-YYY	0.318	8.08	0.110	2.79	0.060	1.52	0.070	1.78	0.240	6.10	POLY BAGS	
68025-YYY	0.230	5.84	0.195	4.95	0.060	1.52	0.045	1.14	0.190	4.83	POLY BAGS	
68405-YYY	0.230	5.84	0.095	2.41	0.060	1.52	0.070	1.78	0.240	6.10	POLY BAGS	
68452-YYY	0.380	9.65	0.110	2.79	0.060	1.52	0.070	1.78	0.240	6.10	POLY BAGS	
68459-YYY	0.318	8.08	0.150	3.81	0.060	1.52	0.070	1.78	0.240	6.10	POLY BAGS/TUBES	
68462-YYY	0.400	10.16	0.120	3.05	0.060	1.52	0.045	1.14	0.190	4.83	POLY BAGS	
68463-YYY	0.230	5.84	0.110	2.79	0.060	1.52	0.070	1.78	0.240	6.10	POLY BAGS	
68480-YYY	0.318	8.08	0.110	2.79	0.060	1.52	0.045	1.14	0.190	4.83	POLY BAGS	
68492-YYY	0.230	5.84	0.150	3.81	0.060	1.52	0.070	1.78	0.240	6.10	POLY BAGS	
68493-YYY				U N A V A I L A B L E								
68695-YYY	0.230	5.84	0.090	2.29	0.060	1.52	0.045	1.14	0.190	4.83	POLY BAGS	
68696-YYY	0.318	8.08	0.125	3.18	0.060	1.52	0.045	1.14	0.190	4.83	POLY BAGS	
68697-YYY	0.230	5.84	0.125	3.18	0.060	1.52	0.045	1.14	0.190	4.83	POLY BAGS	
68715-YYY	0.138	3.51	0.138	3.51	0.060	1.52	0.045	1.14	0.190	4.83	POLY BAGS	
68728-YYY				U N A V A I L A B L E								
68740-YYY	0.345	8.76	0.110	2.79	0.060	1.52	0.070	1.78	0.240	6.10	POLY BAGS	
68759-YYY	0.275	6.99	0.120	3.05	0.060	1.52	0.045	1.14	0.190	4.83	POLY BAGS	
68780-YYY	0.230	5.84	0.039	0.99	0.060	1.52	0.045	1.14	0.190	4.83	POLY BAGS	
69147-YYY	0.540	13.72	0.260	6.60	0.060	1.52	0.045	1.14	0.190	4.83	POLY BAGS	
69186-YYY				U N A V A I L A B L E								
72240-YYYH	0.550	13.97	0.120	3.05	0.060	1.52	0.070	1.78	0.240	6.10	POLY BAGS	
72261-YYYH	0.100	2.54	0.100	2.54	0.060	1.52	0.045	1.14	0.190	4.83	POLY BAGS	
72324-YYYH	0.550	13.97	0.260	6.60	0.060	1.52	0.070	1.78	0.240	6.10	POLY BAGS	
72410-YYYH	0.120	3.05	0.350	8.89	0.120	3.05	0.070	1.78	0.240	6.10	POLY BAGS	
74430-YYYH	0.000	0.00	0.233	5.92	0.060	1.52	0.045	1.14	0.190	4.83	POLY BAGS	

A

A

B

B



C

C

Copyright FCI.

D

D

www.fciconnect.com			surface ISO 1302 ✓	tolerance std ISO 406 ISO 1101	projection 	INCH/MM ↔
			TOLERANCES UNLESS OTHERWISE SPECIFIED			Scale 1.000
Dr	D.WIHTING	03/08/93	ANGULAR	LINEAR	size A4	
Eng	T.HANNA	03/08/93	0.X	±0.3		
Chr	T.BREWNAKER	03/08/93	0.XX	±0.15		
Appr	T.HANNA	03/08/93	0.XXX	±0.05	ECN	
			Product family	BERGSTIK	Spec ref	
		title BERGSTIK® II HEADER .100/2.54cc DR R/A		dwg n° 68020		Rev. BM
catalog no			Product-Customer Drw		sheet 3 of 5	

1

2

3

4

1

2

3

4

PRODUCT NUMBER	MATING LENGTH		TAIL LENGTH		BEND DIM.		PIN TO SIDE		BODY WIDTH		PACKAGING	LF OPTION
	DIM F	DIM F	DIM G	DIM G	DIM H	DIM H	DIM J	DIM J	DIM K	DIM K		
	ENGLISH	METRIC	ENGLISH	METRIC	ENGLISH	METRIC	ENGLISH	METRIC	ENGLISH	METRIC		
78576-XXX	0.120	3.05	0.120	3.05	0.060	1.52	0.070	1.78	0.240	6.10	-POLY BAGS	OB
78923-XXX	0.240	6.10	0.095	2.41	0.060	1.52	0.070	1.78	0.240	6.10	-POLY BAGS	OB
78951-XXX	0.500	12.70	0.120	3.05	0.060	1.52	0.045	1.14	0.190	4.83	-POLY BAGS	OB
79200-XXX	0.155	3.94	0.280	7.11	0.060	1.52	0.070	1.78	0.240	6.10	-POLY BAGS	OB
79201-XXX	0.225	5.72	0.280	7.11	0.060	1.52	0.070	1.78	0.240	6.10	-POLY BAGS	OB
79202-XXX	0.245	6.22	0.280	7.11	0.060	1.52	0.070	1.78	0.240	6.10	-POLY BAGS	OB
79203-XXX	0.315	8.00	0.280	7.11	0.060	1.52	0.070	1.78	0.240	6.10	-POLY BAGS	OB
79204-XXX	0.177	4.50	0.410	10.41	0.060	1.52	0.070	1.78	0.240	6.10	-POLY BAGS	OB
79205-XXX	0.25	6.35	0.410	10.41	0.060	1.52	0.070	1.78	0.240	6.10	-POLY BAGS	OB
79206-XXX	0.315	8.00	0.410	10.41	0.060	1.52	0.070	1.78	0.240	6.10	-POLY BAGS	OB
79248-XXX												NOTE 1,8
79257-XXX	0.230	5.84	0.120	3.05	0.060	1.52	0.070	1.78	0.240	6.10	POLY BAGS/TUBES	
79258-XXX	0.318	8.08	0.120	3.05	0.060	1.52	0.070	1.78	0.240	6.10	POLY BAGS/TUBES	
79807-XXX												
79841-XXX	0.060	1.52	0.230	5.84	0.060	1.52	0.045	1.14	0.190	4.83	-POLY BAGS	OB
86385-XXX	0.260	6.6	0.120	3.05	0.060	1.52	0.070	1.78	0.240	6.10	-POLY BAGS	OB
86840-XXX	0.318	8.08	0.230	5.84	0.060	1.52	0.070	1.78	0.240	6.10	POLY BAGS	
86867-XXX												
88822-XXX	0.318	8.08	0.080	2.03	0.060	1.52	0.070	1.78	0.240	6.10	-POLY BAGS	OB
89292-XXX	0.120	3.05	0.300	7.62	0.120	3.05	0.045	1.14	0.190	4.83	-POLY BAGS	OB
90234-XXX	0.130	3.30	0.195	4.95	0.060	1.52	0.045	1.14	0.190	4.83	-POLY BAGS	OB
92634-XXX	0.318	8.08	0.318	8.08	0.060	1.52	0.045	1.14	0.190	4.83	POLY BAGS	
93162-XXX	0.230	5.84	0.400	10.16	0.150	3.81	0.045	1.14	0.190	4.83	-POLY BAGS	OB
93932-XXX	0.200	5.08	0.120	3.05	0.060	1.52	0.070	1.78	0.240	6.10	-POLY BAGS	OB
93939-XXX	0.160	4.06	0.120	3.05	0.060	1.52	0.070	1.78	0.240	6.10	POLY BAGS	NOTE 1,8
94687-XXX	0.430	10.92	0.230	5.84	0.060	1.52	0.045	1.14	0.190	4.83	-POLY BAGS	OB
94688-XXX	0.385	9.78	0.280	7.11	0.060	1.52	0.070	1.78	0.240	6.10	-POLY BAGS	OB

A

A

B

B

C

C



Copyright FCI.

D

D

www.fciconnect.com			surface ISD 1302 ✓	tolerance std ISD 406 ISD 110	projection 	INCH/MM ↔
			TOLERANCES UNLESS OTHERWISE SPECIFIED			Scale 1.000
Dr	D.WIHTING	03/08/93	ANGULAR	LINEAR	0.X ±0.3 0.XX ±0.15 0.XXX ±0.05	size A4
Eng	T.HANNA	03/08/93	0° ±2°			ECN
Chr	T.BREWNAKER	03/08/93				
Appr	T.HANNA	03/08/93	Product family	BERGSTIK	Spec ref	
	title BERGSTIK® II HEADER .100/2.54cc DR R/A		eng n° 68020		Rev. BM	
catalog no			Product-Customer Drw		sheet 4 of 5	

1

2

3

4

PRODUCT NUMBER	MATING LENGTH		TAIL LENGTH		BEND DIM.		PIN TO SIDE		BODY WIDTH		PACKAGING	LF OPTION
	DIM F	DIM F	DIM G	DIM G	DIM H	DIM H	DIM J	DIM J	DIM K	DIM K		
	ENGLISH	METRIC	ENGLISH	METRIC	ENGLISH	METRIC	ENGLISH	METRIC	ENGLISH	METRIC		
95035-XYH	0.230	5.84	0.400	10.16	0.060	1.52	0.045	1.14	0.190	4.83	-POLY BAGS	OB
95182-XYH	0.400	10.16	0.110	2.79	0.060	1.52	0.070	1.78	0.240	6.10	-POLY BAGS	OB NOTE
98358-XYH	0.205	5.21	0.410	10.41	0.060	1.52	0.070	1.78	0.240	6.10	-POLY BAGS	OB 1,8
98359-XYH	0.275	6.99	0.410	10.41	0.060	1.52	0.070	1.78	0.240	6.10	-POLY BAGS	OB
68020-144-095030LF	.374	9.50	0.118	3.00	0.060	1.52	0.070	1.78	0.240	6.10	POLY BAGS	



Copyright FCI.

www.fciconnect.com			surface ISO 1302 <input checked="" type="checkbox"/>	tolerance std ISO 406 ISO 1101	projection 	INCH/MM
TOLERANCES UNLESS OTHERWISE SPECIFIED			ANGULAR	LINEAR	size A4	Scale 1.000
Dr	D.WIHTING	03/08/93	0.X	±0.3	ECN	
Eng	T.HANNA	03/08/93	0.XX	±0.15	ECN	
Chr	T.BREWNAKER	03/08/93	0.XXX	±0.05	ECN	
Appr	T.HANNA	03/08/93	Product family BERGSTIK		Spec ref	
	title BERGSTIK® II HEADER .100/2.54cc DR R/A			dwg no 68020		Rev. BM
catalog no			Product-Customer Drw		sheet 5 of 5	