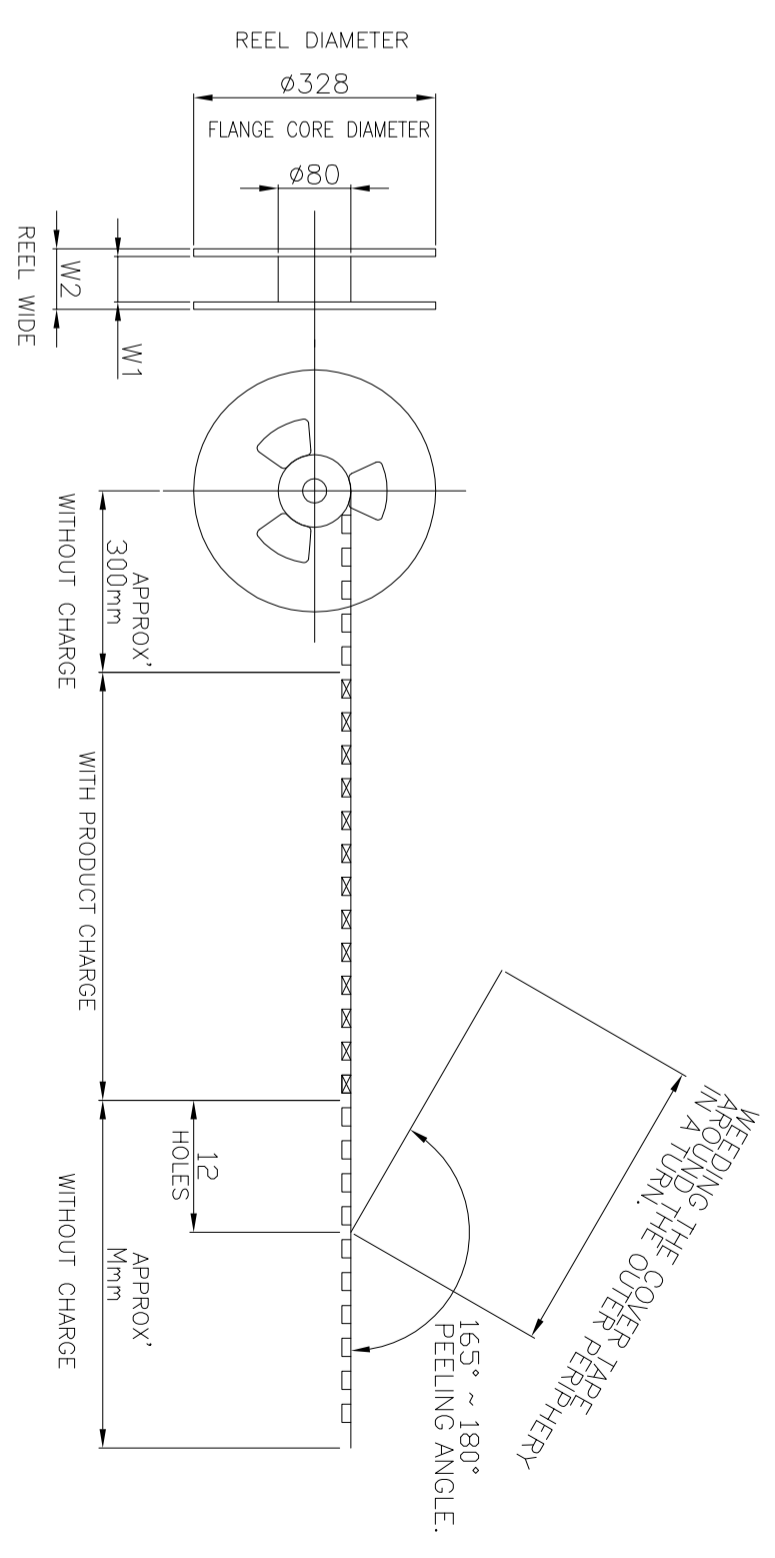
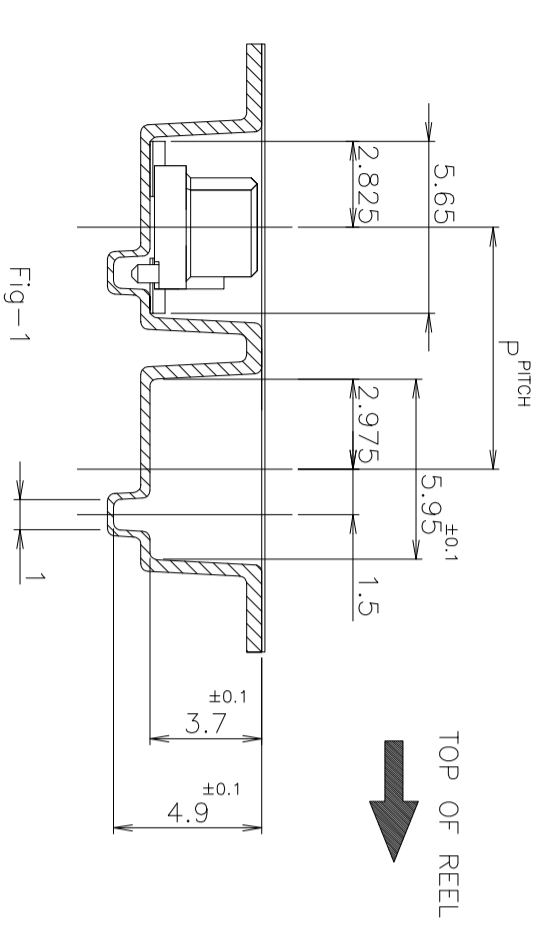
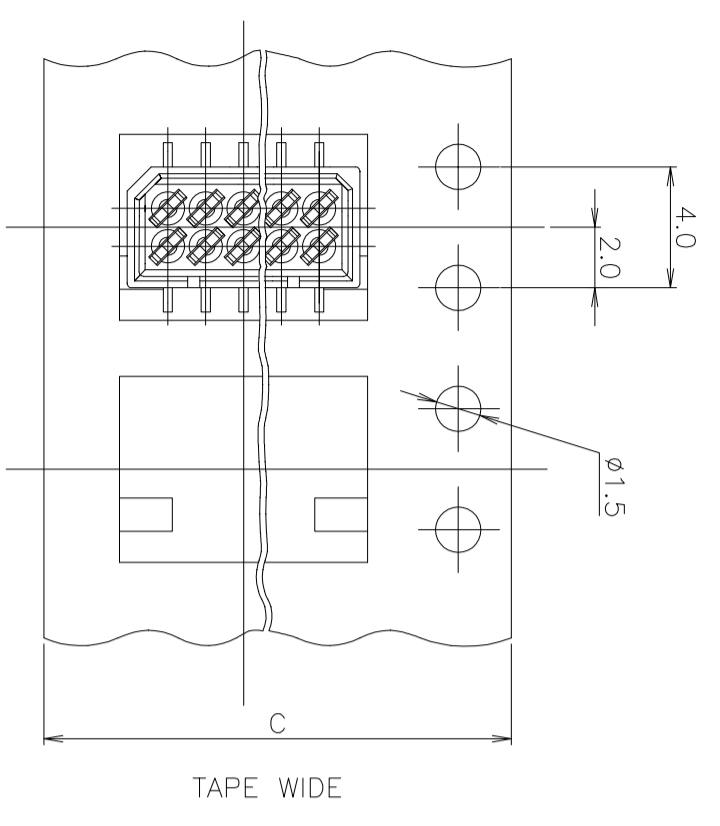


P	LTR	DESCRIPTION	DATE	DMN	APVD
J		REVISED PER ECR-16-013051	14SEP2016	WL	SY
J1		REVISED PER ECO-17-010005	10OCT2017	R.L	S.Y



NOTES:
 △ PACKING SPEC : 107-5123-1

W ₂	W ₁	M	P	C	QTY/REEL	Pos.	EMBOSS TAPE P/N	CONNECTOR P/N	TAPING P/N
21	18	300	8	16	1500	6	1-912050-3	3-174639-6	3-175638-6
29	26	600	12	24	1000	16	1-720999-1	4-	4-
						20	2-	4-	0-
						18	2-	3-	8-
						16	9-	4-	6-
						14	2-	4-	4-
						12	8-	4-	2-
						10	1-720999-1	4-	0-

THIS DRAWING IS A CONTROLLED DOCUMENT.
 DIMENSIONS: mm
 TOLERANCES UNLESS OTHERWISE SPECIFIED:
 0-PLG ±
 1-PLG ±
 2-PLG ±
 3-PLG ±
 4-PLG ±
 ANGLES ±
 FINISH ±

DMN J.TANIGAWA
 CHK S.KIKUCHI
 APVD N.ONOUE
 PRODUCT SPEC
 APPLICATION SPEC
 WEIGHT 0.000000
 CUSTOMER DRAWING

STE TE Connectivity

ON TAPING 1.25 F-P CONNECTOR
 DOUBLE ROW REC HDR ASS'Y (V)
 SMT TYPE WITH BOSS

SIZE A3
 CAGE CODE 00779
 DRAWING NO G=175638

SCALE 4:1 SHEET 1 of 2 REV J1