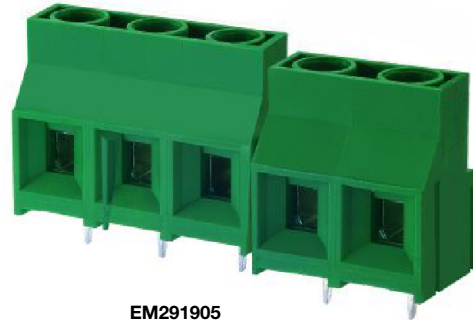


EM2919 Series
EuroMag Terminal Blocks
 9.52 Centers; Modular

SPECIFICATIONS

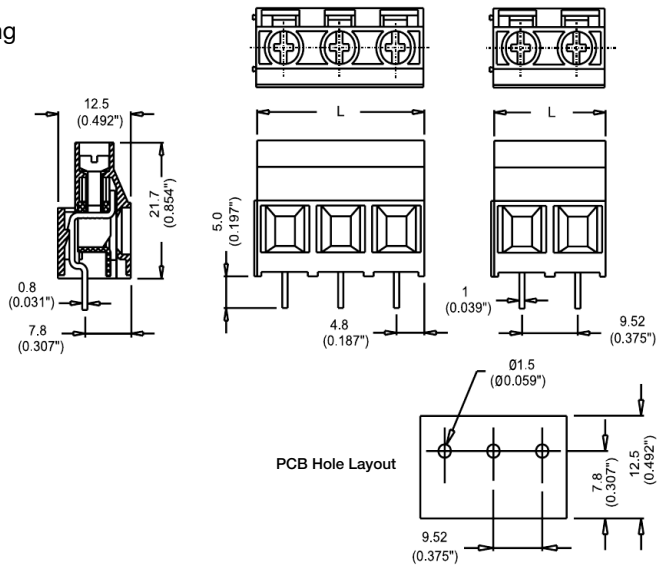
Rating: 30A, 600V
Center Spacing: 0.375" (9.52mm)
Wire Range: #10-24 AWG
Housing Material: UL rated 94V0 Thermoplastic
Contact Material: Brass Tin-Plated
Cage Material: Steel, Nickel-Plated
Screw Size: M3.0 Zinc-Plated Steel
Operating Temperature: 105°C (221°F) max., -40°C (-40°F) min.

Torque Rating: 9.0 lb-in.
Recommended PCB Hole Diameters: 0.055" (1.40mm)
Construction: Modular design features dovetails for interlocking to achieve longer lengths
Agency Information: cULus File E62622; CE Certified



EM291905

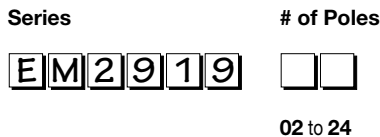
Dimensions - mm (in)



Poles	L (mm)	Poles	L (mm)
2	19.04	14	133.28
3	28.56	15	142.80
4	38.08	16	152.32
5	47.60	17	161.84
6	57.12	18	171.36
7	66.64	19	180.88
8	76.16	20	190.40
9	85.68	21	199.92
10	95.20	22	209.44
11	104.72	23	218.96
12	114.24	24	228.48
13	123.76		

To convert to inches, divide by 25.4

Part Numbering System



Terminal Blocks:
Single Row

EuroMag Series
High Current

Edge Connectors,
One-Sided Boards

Compliance
References