

No.415-EA (With Stopper) /420-EA Revolving Caster

PRODUCT



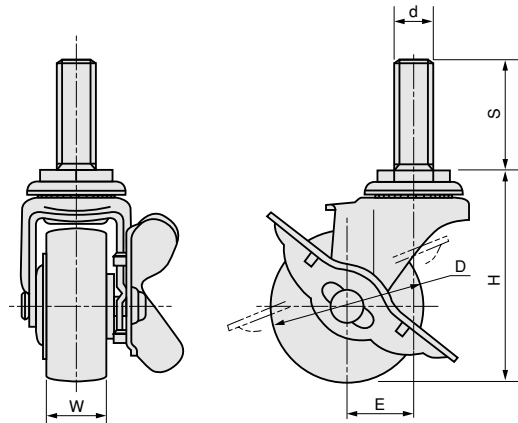
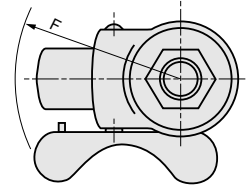
Characteristic

With its bolted shaft, it suits for a device where beautiful appearance and light weight are required.

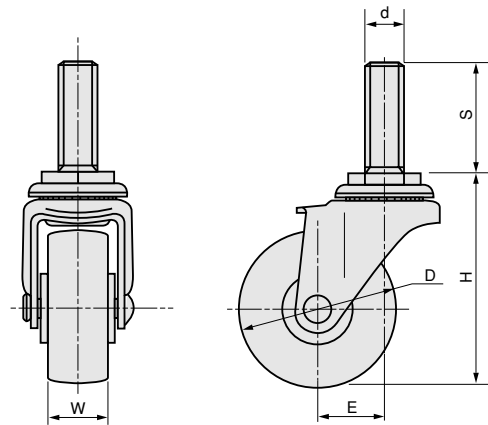
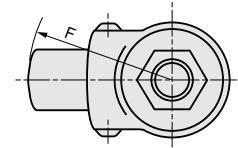
Application

Steel made office utilities / Furniture / Interior transporters

No.415-EA (with stopper)



No.420-EA



Specification

| Model No. | F(Turning Radius) | Allowable Load(kg) | Net Weight(g) | Code No. |
|------------------|-------------------|--------------------|---------------|----------|
| No.415-EA-R50-1 | R58 | 30 | 221 | 9777 |
| No.415-EA-R65-2 | R62 | | 275 | 9778 |
| No.415-EA-R75-3 | R68 | 40 | 320 | 9779 |
| No.415-EA-R100-4 | R83 | 50 | 670 | 9780 |
| No.415-EA-R125-5 | R103 | 60 | 806 | 9781 |
| No.415-EA-R150-6 | R118 | | 1110 | 9782 |
| No.415-EA-N50-1 | R47 | 40 | 190 | 9783 |
| No.415-EA-N65-2 | R58 | | 218 | 9784 |
| No.415-EA-N75-3 | R68 | 50 | 241 | 9785 |
| No.415-EA-N100-4 | R83 | 60 | 480 | 9786 |
| No.415-EA-N125-5 | R103 | 70 | 540 | 9787 |

| Model No. | F(Turning Radius) | Allowable Load(kg) | Net Weight(g) | Code No. |
|------------------|-------------------|--------------------|---------------|----------|
| No.420-EA-R50-1 | R47 | 30 | 185 | 9765 |
| No.420-EA-R65-2 | R58 | | 245 | 9766 |
| No.420-EA-R75-3 | R68 | 40 | 290 | 9767 |
| No.420-EA-R100-4 | R83 | 50 | 595 | 9768 |
| No.420-EA-R125-5 | R103 | 60 | 740 | 9769 |
| No.420-EA-R150-6 | R118 | | 1038 | 9770 |
| No.420-EA-N50-1 | R47 | 40 | 163 | 9771 |
| No.420-EA-N65-2 | R58 | | 196 | 9772 |
| No.420-EA-N75-3 | R68 | 50 | 220 | 9773 |
| No.420-EA-N100-4 | R83 | 60 | 460 | 9774 |
| No.420-EA-N125-5 | R103 | 70 | 530 | 9775 |

Size List Applied for both No.415-EA and No.420-EA

| No. | D | E | H | S | W | | d |
|-----|-------|----|-----|----|--------------|-------------|----------|
| | | | | | Rubber Wheel | Nylon Wheel | |
| 1 | φ 50 | 21 | 68 | 35 | 20 | 21 | M12X1.75 |
| 2 | φ 65 | 24 | 85 | | 21 | | |
| 3 | φ 75 | 29 | 95 | | 40 | 27 | |
| 4 | φ 100 | 32 | 126 | | | | |
| 5 | φ 125 | 39 | 152 | | | | |
| 6 | φ 150 | 42 | 180 | | | | |

| Material of Wheel | R-Rubber wheel |
|-------------------|----------------|
| | N-Nylon wheel |

Ask for materials for wheel other than rubber and nylon, depending on the size (D size).
A caster with bearing is also available.

Wrench
Specify by model No. of the caster.

