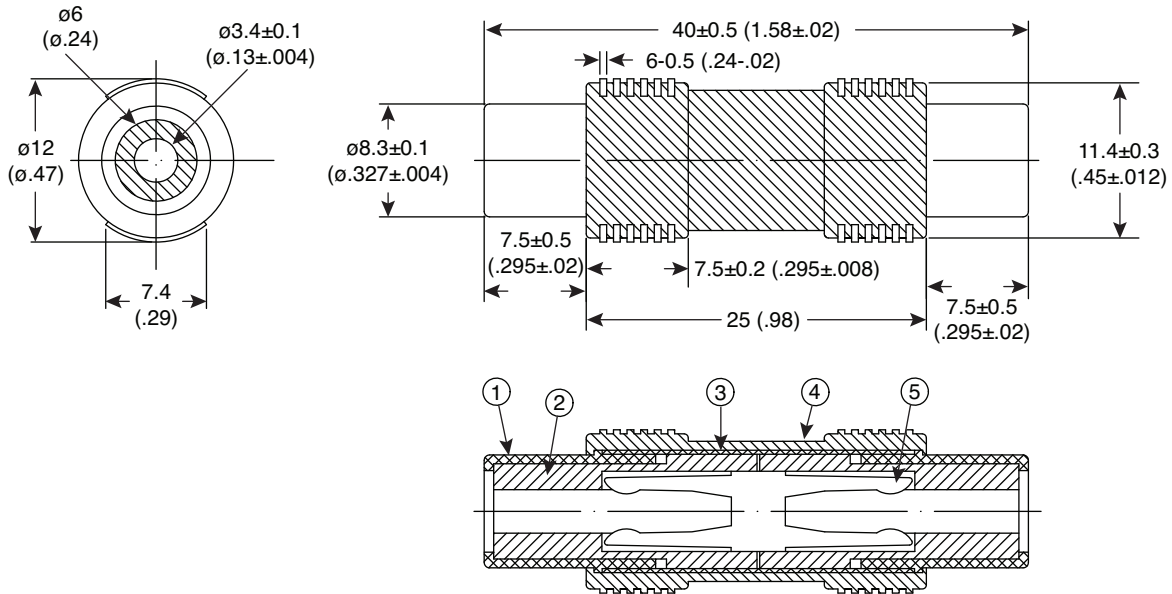


RCA Jack to RCA Jack Phono Adapter

171-ADRJRJ-E



RCA Jack to RCA Jack Phono Adapter



Dimensions: mm (in.)

Part No:	MATERIALS
1:	Brass, Nickel Plated
2:	A.B.S. Black
3:	Brass
4:	P.E. Black
5:	P-Bronze, Nickel Plated



RoHS Compliant

Date Last Revised: 9-15-08

Available from Mouser Electronics
 1-800-346-6873
 www.mouser.com

KC- 301245

171-ADRJRJ-E

Mouser Electronics

Authorized Distributor

Click to View Pricing, Inventory, Delivery & Lifecycle Information:

[Kobiconn:](#)

[171-ADRJRJ-E](#)