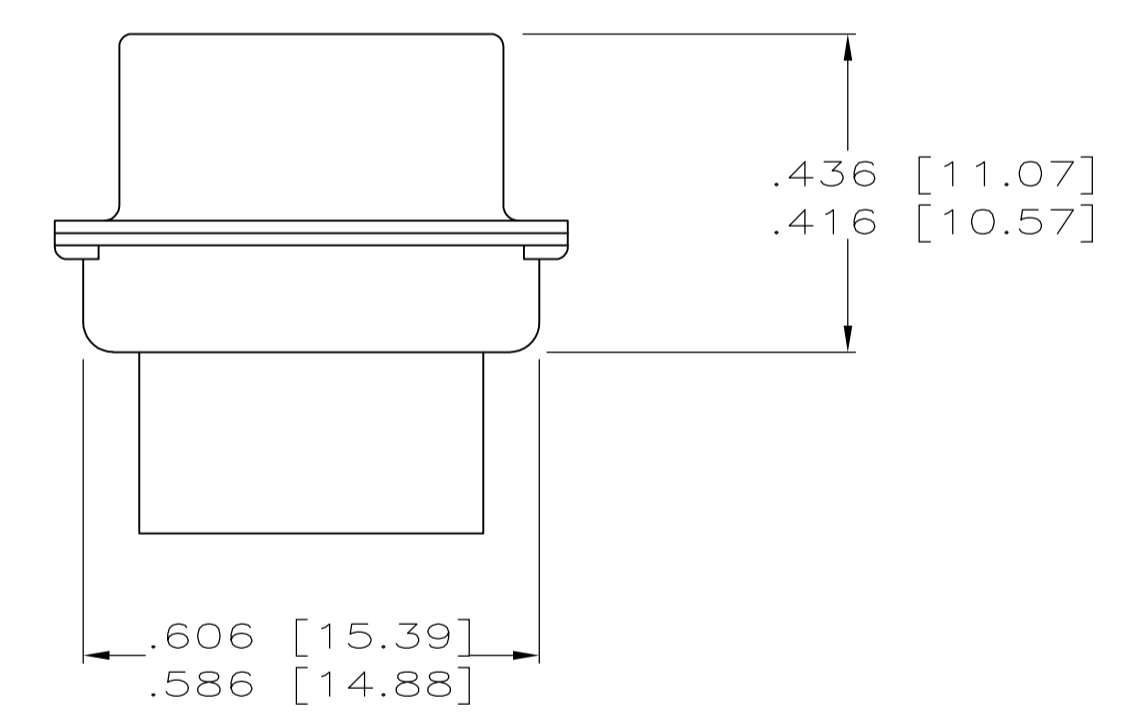
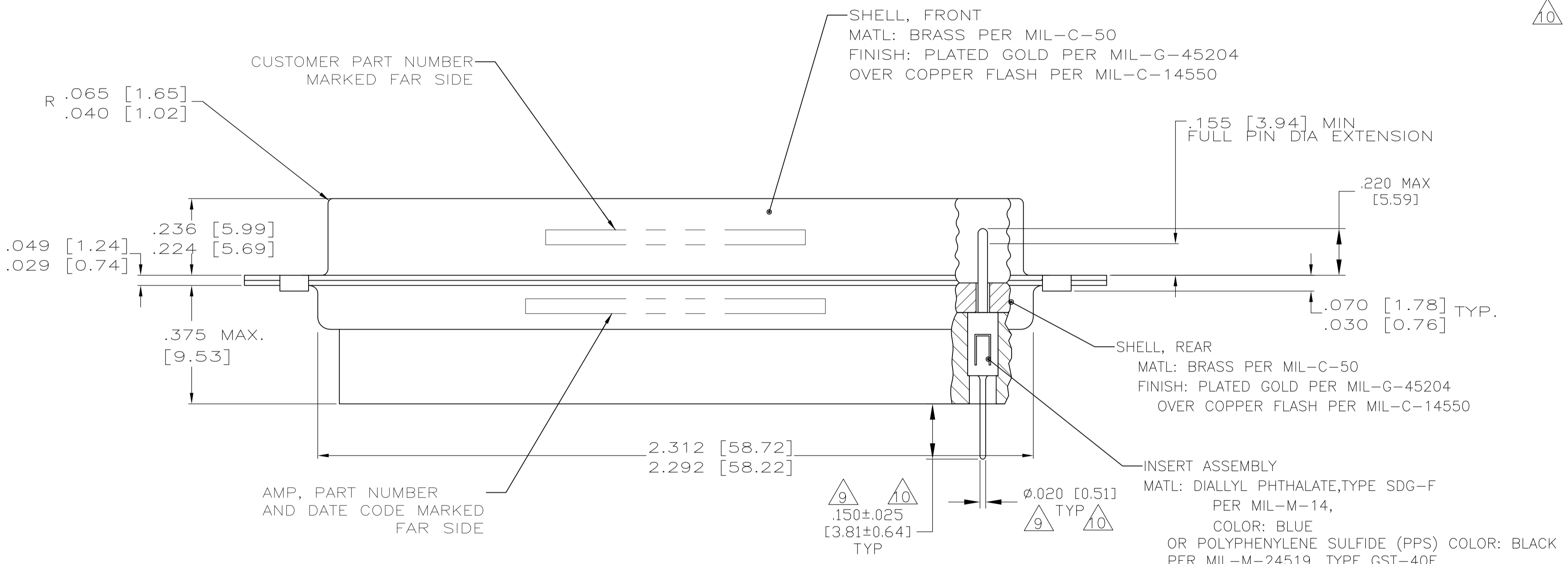


- THIS PLUG WILL MATE WITH ANY RECEPTACLE CONNECTOR WITH THE SAME INSERT ARRANGEMENT AS DEFINED BY MS14004-1.
 - MAXIMUM WIRE INSULATION USED WITH THIS PLUG IS .054 DIA.
 - Be-Cu RETENTION CLIPS ARE INCLUDED IN INSERTS.
- △4 THESE CONNECTORS ARE QUALIFIED TO GODDARD SPACE FLIGHT CENTER SPECIFICATION S-311-P-4.
 - △5 INSPECTION REQUIREMENTS PER R4383.
 - △6 CONNECTOR SUPPLIED WITH 115 CONTACTS, PART NUMBER 204370-8. INSPECTION REQUIREMENTS PER R4383 WITHOUT TESTS FOR HIGH ALTITUDE DIELECTRIC WITHSTANDING VOLTAGE AS CALLED FOR IN TABLE II SCREENING AND TESTING.
 - △7 UL/CSA DESIGNATION STAMPED IN THIS AREA, OPTIONAL.
 - △8 RESTRICTED TO CAE ELECTRONICS ONLY.
 - △9 CONNECTOR LOADED WITH POSTED CONTACTS, INSPECTION REQUIREMENTS PER GENERAL ELECTRIC DOCUMENT 20025720
 - △10 CONNECTOR LOADED WITH POSTED CONTACTS, INSPECTION REQUIREMENTS PER LOCKHEED MARTIN DOCUMENT 20131204.



NUMBER 204370-8
GSFC PART NUMBER G-08-P1
(SUPPLIED WITH 206066-7
AND 1-206066-0 ONLY)

REMARKS	DIA A	MARKED CUSTOMER P/N	MARKED P/N	PART NUMBER
△10	.120 [3.05]	20131204P2104P	1-206066-5	1-206066-5
	.120 [3.05]	570566-12	1-206066-4	1-206066-4
△9	.120 [3.05]	20025720P2104P	1-206066-0	1-206066-2
△4/△8	.120 [3.05]	311P407-6P-B-12	206066-4	1-206066-1
	.120 [3.05]	20025720P1104P	1-206066-0	1-206066-0
	.120 [3.05]	1622251-001	206066-9	206066-9
	.120 [3.05]	7636-11	206066-8	206066-8
△6	.120 [3.05]	R4383P104P	206066-7	206066-7
△5	.120 [3.05]	R4383P104P-2	206066-6	206066-6
	.120 [3.05]	SC81D139-056	206066-5	206066-5
△4	.120 [3.05]	311P407-6P-B-12	206066-4	206066-4
	.154 [3.91]		206066-3	206066-3
△4	.154 [3.91]	311P407-6P-B-15	206066-2	206066-2
	.120 [3.05]	R9259P104P	206066-1	206066-1

THIS DRAWING IS A CONTROLLED DOCUMENT.

DMN: S. GLATFELTER 1-29-88
CHK: F.C. BALLEW III 2-1-88

APVD: F. BALLEW III 2-1-88

NAME: PLUG, PIN CONTACTS
HI-DENSITY HDD SERIES
HI-DENSITY HDD SERIES

SIZE: A1
SCALE: 4:1
SHEET: 1 OF 1
REV: AA

CUSTOMER DRAWING