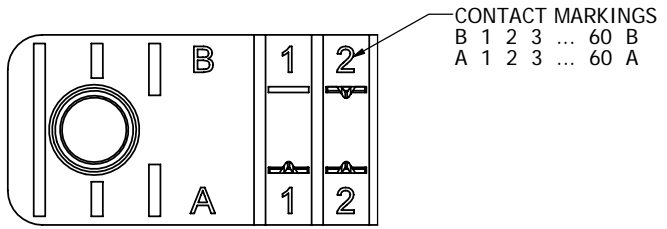
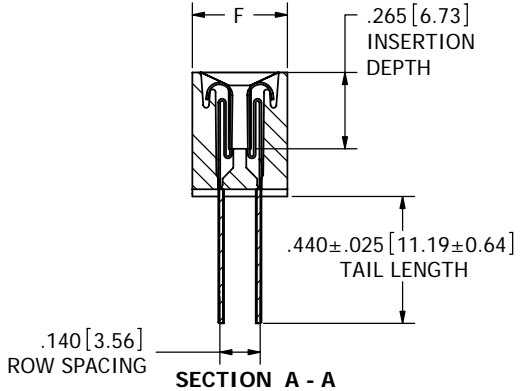
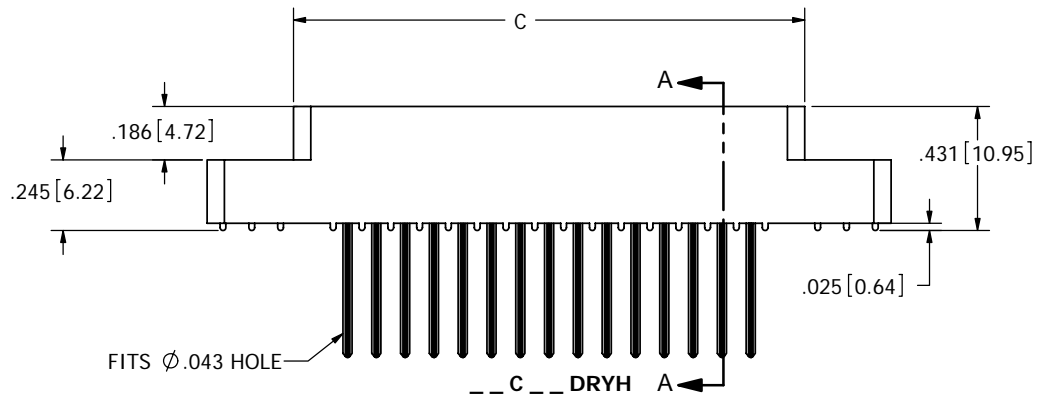
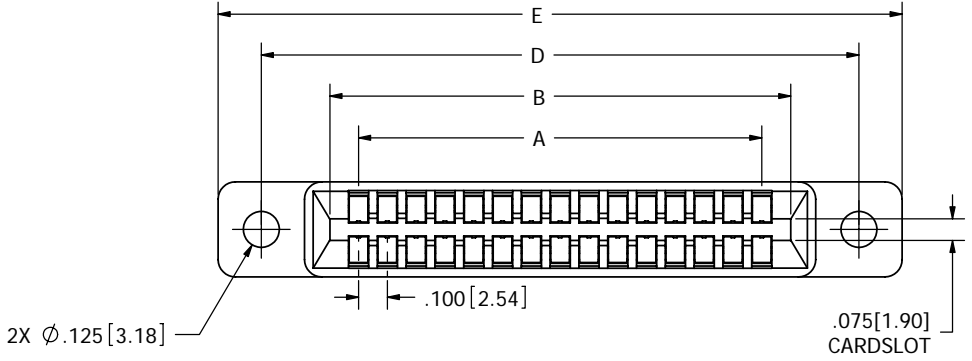


| REVISIONS | | | | |
|-----------|---------|-----------------|-----------|-----|
| REV. | ECO. NO | DESCRIPTION | DATE | BY |
| A | 1255 | INITIAL RELEASE | 1/24/2007 | MNH |



CONTACT MARKINGS
 B 1 2 3 ... 60 B
 A 1 2 3 ... 60 A

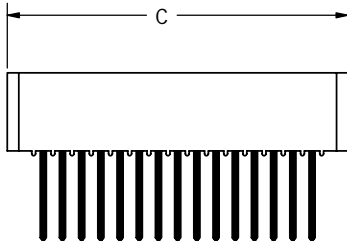
- NOTES:
1. INSULATOR MATERIAL: SEE PART NUMBER CODING
 2. CONTACT MATERIAL: SEE PART NUMBER CODING
 3. PLATING: SEE PART NUMBER CODING
 4. OPERATING TEMPERATURE: SEE PART NUMBER CODING
 5. PROCESSING TEMP: SEE PART NUMBER CODING
 6. UL FLAMMABILITY RATING: 94V-0
 7. VOLTAGE RATING: 600 VDC MINIMUM AT SEA LEVEL.
 8. CURRENT RATING: 3 AMP PER CONTACT PAIR
 9. VOLTAGE DROP: 30 MILLI VOLT AT RATED CURRENT
 10. INSULATION RESISTANCE: 5000 MEGA OHM
 11. CONNECTOR IDENTIFICATION: THE PART SHALL BE MARKED WITH A PART NUMBER AND BARCODE
 12. BOARD THICKNESS ACCOMMODATED: .062 ± .008"
 13. BOARD INSERTION FORCE: 16 OZ MAX PER CONTACT PAIR WHEN USING A .062" TEST BLADE. INTERNAL INSPECTION TO BE PER SULLIN'S WORK INSTRUCTION W17.3-01.
 14. BOARD WITHDRAWAL FORCE: 1 OUNCE MINIMUM PER CONTACT PAIR USING .062" PCB

CUSTOMER COPY

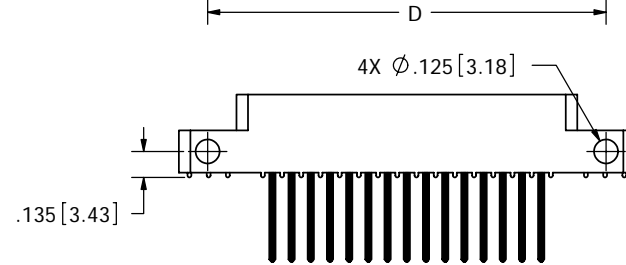


RoHS COMPLIANT

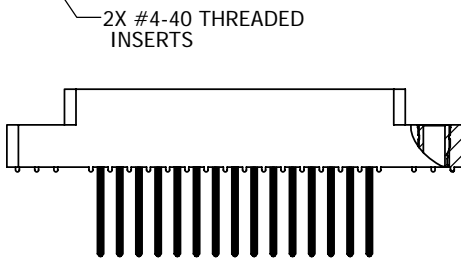
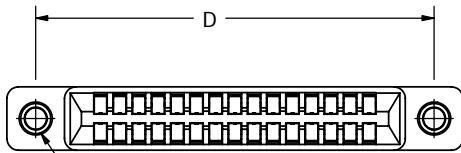
| | | | |
|---|--|--|------|
| UNLESS OTHERWISE SPECIFIED: DIMENSIONS ARE IN INCHES[MM] | | DATE | NAME |
| TOLERANCES: ANGULAR: ± 1° XX = ± .02 [.508] .XXX = ± .005 [.1270] XXXX = ± .0005 [.0127] PARENTHEetical INFORMATION IS FOR REFERENCE ONLY | | DRAWN | MNH |
| INTERPRET DIMENSIONS AND GEOMETRIC TOLERANCING PER: ANSI Y14.5-1984 | | THE INFORMATION HEREIN CONTAINS PROPRIETARY INFORMATION OF SULLINS ELECTRONICS AND IS NOT TO BE REPRODUCED, USED OR DISCLOSED TO OTHERS FOR ANY PURPOSE EXCEPT AS SPECIFICALLY AUTHORIZED IN WRITING BY AN OFFICER OF SULLINS ELECTRONICS. | |
| SIZE C DWG. NO. C10879 REV A | | DESCRIPTION EDGE CARD, .100 CC LP | |
| SCALE: 2:1 | | PART NUMBER - C - DRY - | |
| | | SHEET 1 OF 3 | |



-- C -- DRYN



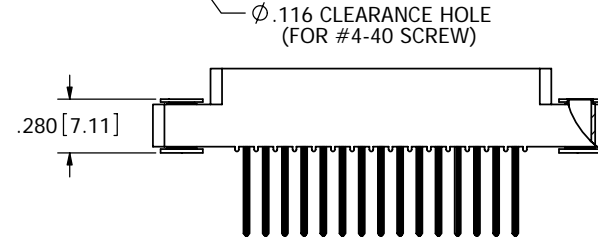
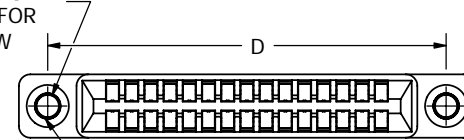
-- C -- DRY5



2X #4-40 THREADED INSERTS

-- C -- DRYE1

2X FLOATING BOBBIN
 $\phi .116 [2.95]$
 CLEARANCE FOR
 # 4 SCREW



-- C -- DRYF

CUSTOMER COPY



RoHS COMPLIANT

| | | | | | | |
|--|--|--|--|--|-----------------------|------|
| UNLESS OTHERWISE SPECIFIED: DIMENSIONS ARE IN INCHES[MM] | | | DRAWN | | DATE | NAME |
| TOLERANCES: ANGULAR: $\pm 1^\circ$ XX = $\pm .02 [508]$.XXX = $\pm .005 [1270]$.XXXX = $\pm .0005 [0127]$ PARENTHETICAL INFORMATION IS FOR REFERENCE ONLY | | | THE INFORMATION HEREIN CONTAINS PROPRIETARY INFORMATION OF SULLINS ELECTRONICS AND IS NOT TO BE REPRODUCED, USED OR DISCLOSED TO OTHERS FOR ANY PURPOSE EXCEPT AS SPECIFICALLY AUTHORIZED IN WRITING BY AN OFFICER OF SULLINS ELECTRONICS. | | SULLINS ELECTRONICS | |
| INTERPRET DIMENSIONS AND GEOMETRIC TOLERANCING PER: ANSI Y14.5-1984 | | | SIZE | | DESCRIPTION | |
| | | | C | | EDGE CARD, .100 CC LP | |
| | | | DWG. NO. | | PART NUMBER | |
| | | | C10879 | | -- C -- DRY -- | |
| | | | REV | | SCALE: 2:1 | |
| | | | A | | SHEET 2 OF 3 | |

| PART NUMBER | NO. OF POS. | A.008[0.20] | | B.008[0.20] | | C.015[0.38] | | D.010[0.25] | | E.020[0.51] | | F.±.005[0.13] | |
|-------------|-------------|-------------|--------|-------------|--------|-------------|--------|-------------|--------|-------------|--------|---------------|------|
| | | IN | MM | IN | MM | IN | MM | IN | MM | IN | MM | IN | MM |
| C04DRY * | 4 | 0.300 | 7.62 | 0.500 | 12.70 | 0.675 | 17.15 | 0.975 | 24.77 | 1.275 | 32.39 | 0.330 | 8.38 |
| C05DRY | 5 | 0.400 | 10.16 | 0.600 | 15.24 | 0.775 | 19.69 | 1.075 | 27.31 | 1.375 | 34.93 | | |
| C06DRY | 6 | 0.500 | 12.70 | 0.700 | 17.78 | 0.875 | 22.23 | 1.175 | 29.85 | 1.475 | 37.47 | | |
| C07DRY | 7 | 0.600 | 15.24 | 0.800 | 20.32 | 0.975 | 24.77 | 1.275 | 32.39 | 1.575 | 40.01 | | |
| C08DRY | 8 | 0.700 | 17.78 | 0.900 | 22.86 | 1.075 | 27.31 | 1.375 | 34.93 | 1.675 | 42.55 | | |
| C10DRY | 10 | 0.900 | 22.86 | 1.100 | 27.94 | 1.275 | 32.39 | 1.575 | 40.01 | 1.875 | 47.63 | | |
| C12DRY | 12 | 1.100 | 27.94 | 1.300 | 33.02 | 1.475 | 37.47 | 1.775 | 45.09 | 2.075 | 52.71 | | |
| C13DRY | 13 | 1.200 | 30.48 | 1.400 | 35.56 | 1.575 | 40.01 | 1.875 | 47.63 | 2.175 | 55.25 | | |
| C15DRY | 15 | 1.400 | 35.56 | 1.600 | 40.64 | 1.775 | 45.09 | 2.075 | 52.71 | 2.375 | 60.33 | | |
| C17DRY | 17 | 1.600 | 40.64 | 1.800 | 45.72 | 1.975 | 50.17 | 2.275 | 57.79 | 2.575 | 65.41 | | |
| C18DRY | 18 | 1.700 | 43.18 | 1.900 | 48.26 | 2.075 | 52.71 | 2.375 | 60.33 | 2.675 | 67.95 | | |
| C19DRY | 19 | 1.800 | 45.72 | 2.000 | 50.80 | 2.175 | 55.25 | 2.475 | 62.87 | 2.775 | 70.49 | | |
| C20DRY | 20 | 1.900 | 48.26 | 2.100 | 53.34 | 2.275 | 57.79 | 2.575 | 65.41 | 2.875 | 73.03 | | |
| C22DRY | 22 | 2.100 | 53.34 | 2.300 | 58.42 | 2.475 | 62.87 | 2.775 | 70.49 | 3.075 | 78.11 | | |
| C23DRY * | 23 | 2.200 | 55.88 | 2.400 | 60.96 | 2.575 | 65.41 | 2.875 | 73.03 | 3.175 | 80.65 | | |
| C25DRY | 25 | 2.400 | 60.96 | 2.600 | 66.04 | 2.775 | 70.49 | 3.075 | 78.11 | 3.375 | 85.73 | | |
| C26DRY | 26 | 2.500 | 63.50 | 2.700 | 68.58 | 2.875 | 73.03 | 3.175 | 80.65 | 3.475 | 88.27 | | |
| C28DRY | 28 | 2.700 | 68.58 | 2.900 | 73.66 | 3.075 | 78.11 | 3.375 | 85.73 | 3.675 | 93.35 | | |
| C30DRY | 30 | 2.900 | 73.66 | 3.100 | 78.74 | 3.275 | 83.19 | 3.575 | 90.81 | 3.875 | 98.43 | | |
| C31DRY | 31 | 3.000 | 76.20 | 3.200 | 81.28 | 3.375 | 85.73 | 3.675 | 93.35 | 3.975 | 100.97 | | |
| C35DRY | 35 | 3.400 | 86.36 | 3.600 | 91.44 | 3.775 | 95.89 | 4.075 | 103.51 | 4.375 | 111.13 | | |
| C36DRY | 36 | 3.500 | 88.90 | 3.700 | 93.98 | 3.875 | 98.43 | 4.175 | 106.05 | 4.475 | 113.67 | | |
| C40DRY | 40 | 3.900 | 99.06 | 4.100 | 104.14 | 4.275 | 108.59 | 4.575 | 116.21 | 4.875 | 123.83 | | |
| C43DRY | 43 | 4.200 | 106.68 | 4.400 | 111.76 | 4.575 | 116.21 | 4.875 | 123.83 | 5.175 | 131.45 | | |
| C44DRY | 44 | 4.300 | 109.22 | 4.500 | 114.30 | 4.675 | 118.75 | 4.975 | 126.37 | 5.275 | 133.99 | | |
| C49DRY | 49 | 4.800 | 121.92 | 5.000 | 127.00 | 5.175 | 131.45 | 5.475 | 139.07 | 5.775 | 146.69 | | |
| C50DRY | 50 | 4.900 | 124.46 | 5.100 | 129.54 | 5.275 | 133.99 | 5.575 | 141.61 | 5.875 | 149.23 | | |
| C52DRY * | 52 | 5.100 | 129.54 | 5.300 | 134.62 | 5.475 | 139.07 | 5.775 | 146.69 | 6.075 | 154.31 | | |
| C60DRY | 60 | 5.900 | 149.86 | 6.100 | 154.94 | 6.275 | 159.39 | 6.575 | 167.01 | 6.875 | 174.63 | | |
| C65DRY | 65 | 6.400 | 162.56 | 6.600 | 167.64 | 6.775 | 172.09 | 7.075 | 179.71 | 7.375 | 187.33 | | |

* CONSULT FACTORY FOR AVAILABILITY

PART NUMBER CODING

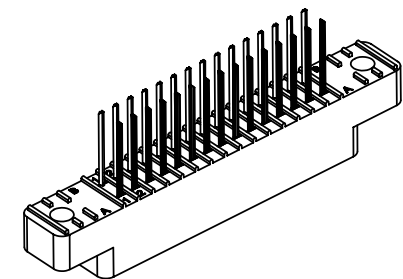
MATERIAL (INSULATOR/CONTACT)
E=PBT/PHOSPHOR BRONZE
 OPERATING TEMP: -65°C TO +125°C
 PROCESSING TEMP: 260°C FOR 10 SECS MAX
R=PPS/PHOSPHOR BRONZE
 OPERATING TEMP: -65°C TO +125°C
 PROCESSING TEMP: 260°C FOR 120 SECS MAX
G=PA9T/PHOSPHOR BRONZE
 OPERATING TEMP: -65°C TO +125°C
 PROCESSING TEMP: 260°C FOR 120 SECS MAX
H=PBT/BERYLLIUM COPPER
 OPERATING TEMP: -65°C TO +125°C
 PROCESSING TEMP: 260°C FOR 10 SECS MAX
A=PPS/BERYLLIUM COPPER
 OPERATING TEMP: -65°C TO +150°C
 PROCESSING TEMP: 260°C FOR 120 SECS MAX
J=PA9T/BERYLLIUM COPPER
 OPERATING TEMP: -65°C TO +150°C
 PROCESSING TEMP: 260°C FOR 120 SECS MAX
F=PPS/SPINODAL (CONSULT FACTORY)
 OPERATING TEMP: -65°C TO +200°C
C=PPS/BERYLLIUM NICKEL (CONSULT FACTORY)
 OPERATING TEMP: -65°C TO +200°C
 PROCESSING TEMP: 260°C FOR 120 SECS MAX
W=PEEK/BERYLLIUM NICKEL (CONSULT FACTORY)
 OPERATING TEMP: -65°C TO +250°C

MOUNTING STYLE
 H = .125" DIA. CLEARANCE HOLES (PAGE 1)
 I = #4-40 THREADED INSERT (PAGE 2)
 S = .125" DIA. SIDE MOUNTING (PAGE 2)
 N = NO MOUNTING EARS (PAGE 2)
 F = FLOATING BOBBIN (PAGE 2)

PLATING
 ALL PLATINGS HAVE .000050" NICKEL UNDERPLATE
 CONTACT SURFACE TERMINATION
 G = .000010" GOLD .000005" GOLD
 Y = .000030" GOLD .000005" GOLD
 B = .000010" GOLD .000100" PURE TIN, MATTE
 C = .000030" GOLD .000100" PURE TIN, MATTE
 **E = .000100" PURE TIN, MATTE OVERALL
 S = .000010" GOLD OVERALL .000010" GOLD OVERALL
 M = .000030" GOLD
LEAD FREE
 **ONLY AVAILABLE ON MATERIAL CODES E, R AND G

NUMBER OF POSITIONS

C DRY



CUSTOMER COPY



RoHS COMPLIANT

| | | | |
|--|---------------------------|---|------|
| UNLESS OTHERWISE SPECIFIED: DIMENSIONS ARE IN INCHES[MM] | | DATE | NAME |
| TOLERANCES: ANGULAR: ± 1° XX = ± .02 [.508] .XXX = ± .005 [.1270] XXXX = ± .0005 [.0127] PARENTHETICAL INFORMATION IS FOR REFERENCE ONLY | | DRAWN | MNH |
| THE INFORMATION HEREIN CONTAINS PROPRIETARY INFORMATION OF SULLINS ELECTRONICS AND IS NOT TO BE REPRODUCED, USED OR DISCLOSED TO OTHERS FOR ANY PURPOSE EXCEPT AS SPECIFICALLY AUTHORIZED IN WRITING BY AN OFFICER OF SULLINS ELECTRONICS. | | DESCRIPTION EDGE CARD, .100 CC LP | |
| INTERPRET DIMENSIONS AND GEOMETRIC TOLERANCING PER: ANSI Y14.5-1984 | | PART NUMBER -C_DRY- | |
| SIZE C | DWG. NO. C10879 | REV A | |
| SCALE: 2:1 | | SHEET 3 OF 3 | |