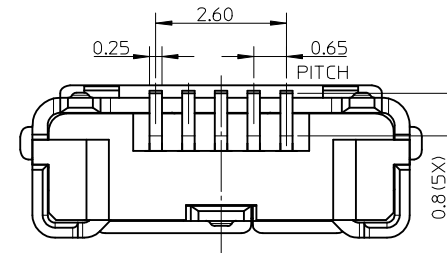
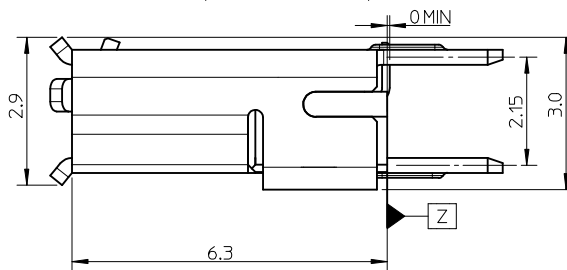
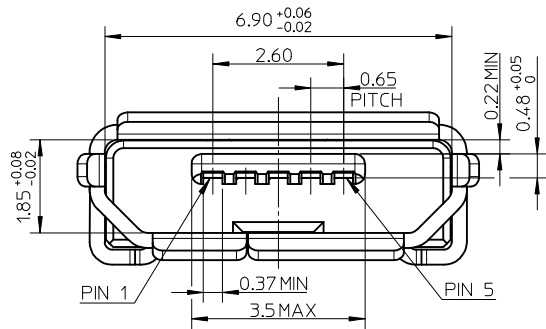


RECOMMENDED PCB LAYOUT (THICKNESS=1.6mm)
GENERAL TOLERANCE: ±0.05



PIN ASSIGNMENT	
5	GND
4	ID
3	D+
2	D-
1	VBUS
PIN	NAME

NOTES:

- MATERIAL:
HOUSING & COVER: HIGH TEMPERATURE THERMOPLASTIC, BLACK, UL94V-0;
TERMINAL: COPPER ALLOY, THICKNESS: 0.15mm;
SHELL: STAINLESS STEEL, THICKNESS: 0.30mm.
- PLATING:
TERMINAL: CONTACT AREA: GOLD FLASH OVER MINIMUM 0.75 MICRON Pd/Ni;
SOLDER TAIL AREA: GOLD FLASH;
UNDER PLATING: NICKEL 2.0 MICROMN MINIMUM.
SHELL: MATTE TIN 1.27 MICRON MINIMUM;
UNDER PLATING: NICKEL 1.27 MICRON MINIMUM.
- TAIL COPLANARITY 0.08mm MAXIMUM.
- PRODUCT SPECIFICATION: PS-105133-001.
- PACKAGE SPECIFICATION: PK-105133-001.
- COMPLIANT TO RoHS DIRECTIVE 2002/95/EC AND ELV 2000/53/EC.

REVISE PS INFORMATION

REV	DESCRIPTION
B	DRWN:XQZHANG 2014/03/18 CHKD:XQZHANG 2014/04/24 APPR:AYIN 2014/06/06

QUALITY SYMBOLS
$F_A=0$
$F_C=0$
$F_B=0$

GENERAL TOLERANCES (UNLESS SPECIFIED)		
	mm	INCH
4 PLACES	± ---	± ---
3 PLACES	± ---	± ---
2 PLACES	± 0.20	± ---
1 PLACE	± 0.25	± ---
0 PLACE	± ---	± ---
ANGULAR ± 3 °		
DRAFT WHERE APPLICABLE MUST REMAIN WITHIN DIMENSIONS		

DIMENSION STYLE		SCALE	DESIGN UNITS	THIRD ANGLE PROJECTION
MM ONLY		1:1	METRIC	
DRAWN BY	DATE	TITLE		
XQZHANG	2012/05/07	SALES DRAWING FOR USB, MICRO-B VERTICAL TYPE		
CHECKED BY	DATE	molex		
XQZHANG	2012/05/07			
APPROVED BY	DATE	MATERIAL NO.	DOCUMENT NO.	SHEET NO.
AYIN	2012/06/22	105133-0011	SD-105133-011	1 OF 1

THIS DRAWING CONTAINS INFORMATION THAT IS PROPRIETARY TO MOLEX INCORPORATED AND SHOULD NOT BE USED WITHOUT WRITTEN PERMISSION				
---	--	--	--	--