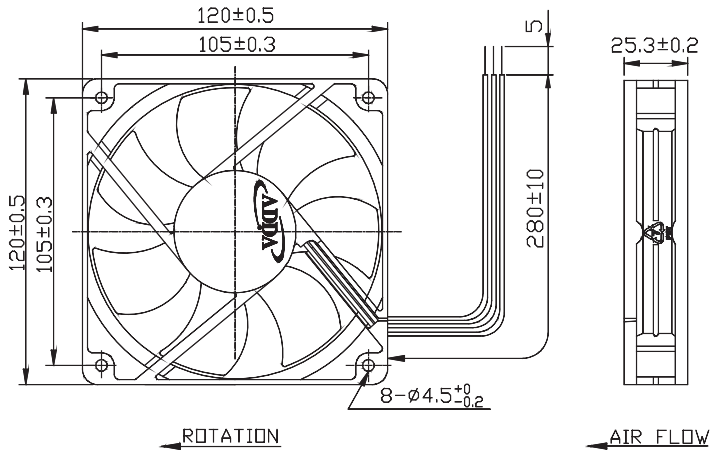


**External Dimensions**



Frame:Plastic(UL:94V-0)  
Impeller:Plastic(UL:94V-0)  
Lead wire:UL1007AWG24

**Specifications(Nominal)**

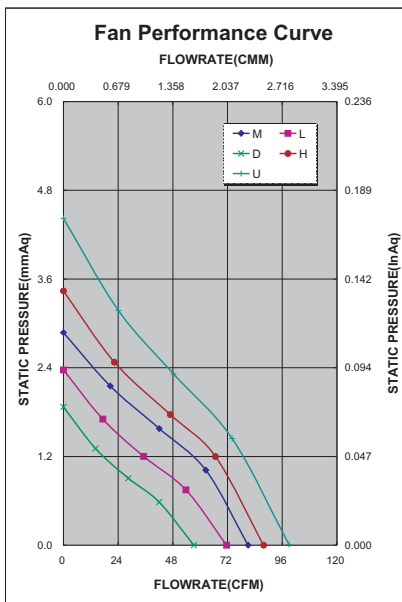
\*Noise is measured at the distance of one (1) meter from the axis of intake.

Bearing type: ◎=Ball ※=Sleeve ●=Hypro bearing

Frame size (mm)	Model No.	Bearing System Type	Rated Voltage (VDC)	Current (A)	Power (W)	Rated Speed (rpm)	Maximum AirFlow (CMM) (CFM)	Maximum Pressure (InAq) (mmAq)	*Noise Level (dB/A)	Weight (g)
120x120x25	AD1212DB-A7BGL	◎ ※ ●	12	0.11	1.32	1500	1.618 57.205	0.074 1.879	27.2	156.0
	AD1212LB-A7BGL	◎ ※ ●	12	0.15	1.80	1800	2.032 71.806	0.093 2.362	34.4	
	AD1212MB-A7BGL	◎ ※ ●	12	0.16	1.92	2050	2.293 81.054	0.113 2.870	38.0	
	AD1212HB-A7BGL	◎ ※ ●	12	0.29	3.48	2200	2.486 87.870	0.134 3.403	39.1	
	AD1212UB-A7BGL	◎ ※ ●	12	0.39	4.68	2500	2.800 98.965	0.174 4.419	43.3	
	AD1224DB-A7BGL	◎ ※ ●	24	0.07	1.68	1500	1.618 57.205	0.074 1.879	27.2	
	AD1224LB-A7BGL	◎ ※ ●	24	0.10	2.40	1800	2.032 71.806	0.093 2.362	34.4	
	AD1224MB-A7BGL	◎ ※ ●	24	0.13	3.12	2050	2.293 81.054	0.113 2.870	38.0	
	AD1224HB-A7BGL	◎ ※ ●	24	0.13	3.12	2200	2.486 87.870	0.134 3.403	39.1	
	AD1224UB-A7BGL	◎ ※ ●	24	0.19	4.56	2500	2.800 98.965	0.174 4.419	43.3	
	AD1248HB-A7BGL	◎ ※ ●	48	0.10	4.80	2200	2.486 87.870	0.134 3.403	39.1	
	AD1248UB-A7BGL	◎ ※ ●	48	0.12	5.76	2500	2.800 98.965	0.174 4.419	43.3	

Specifications subject to change without notice.

The specification for bearing type is for reference only , for more bearing types information, please contact with your ADDA sales representative, thanks!! (網頁上呈現產品軸承資訊均以2Ball為主, 若需其他產品資訊請聯絡您在ADDA的業務代表, 謝謝!!)



\*Motor protective circuit and third lead wire functions

0	1	2	3	4	6	7	8	9	A	B
✓	✓	✓	✓	✓	✓		✓	✓		✓

\*Safety approvals

✓	✓		✓	✓