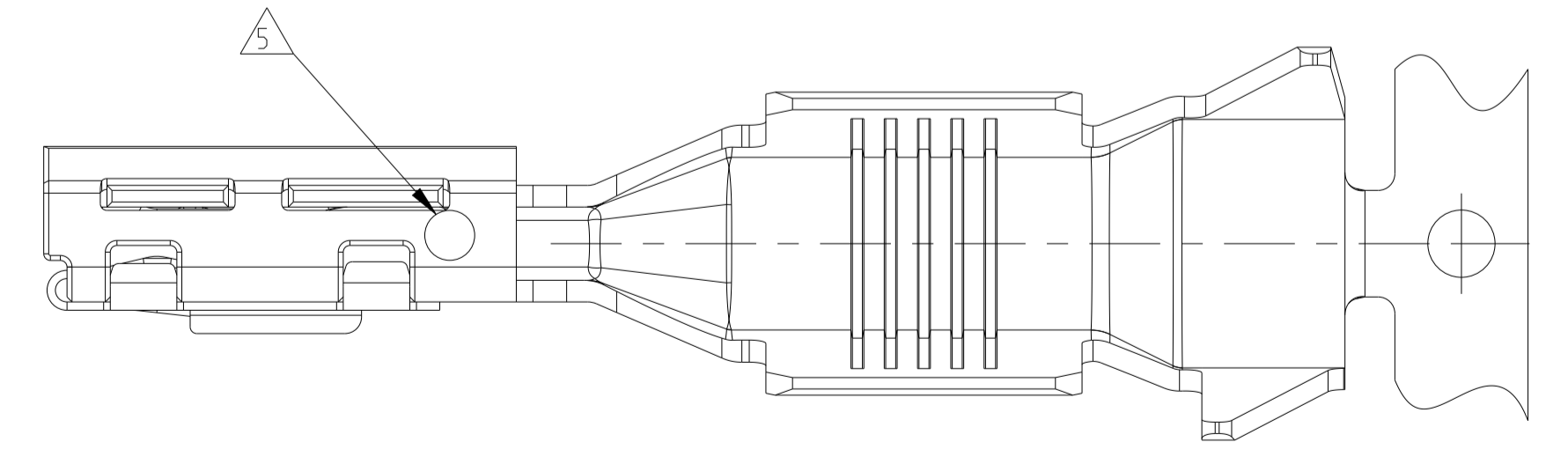
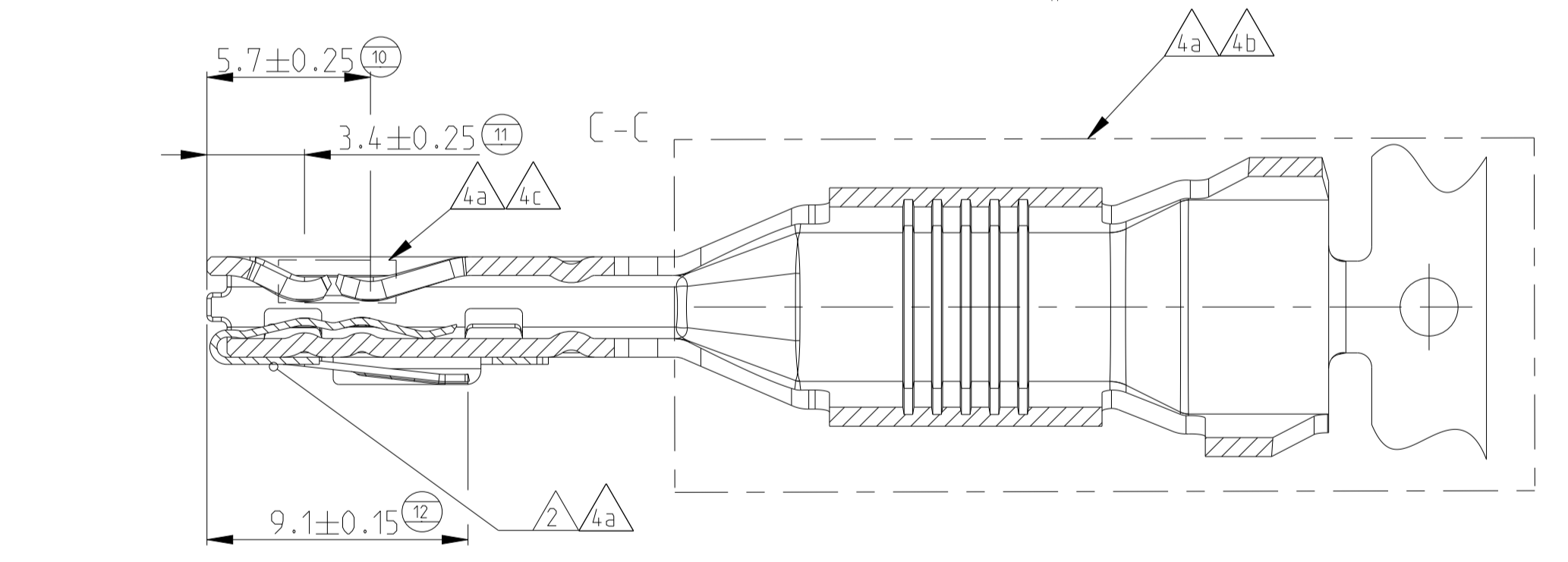
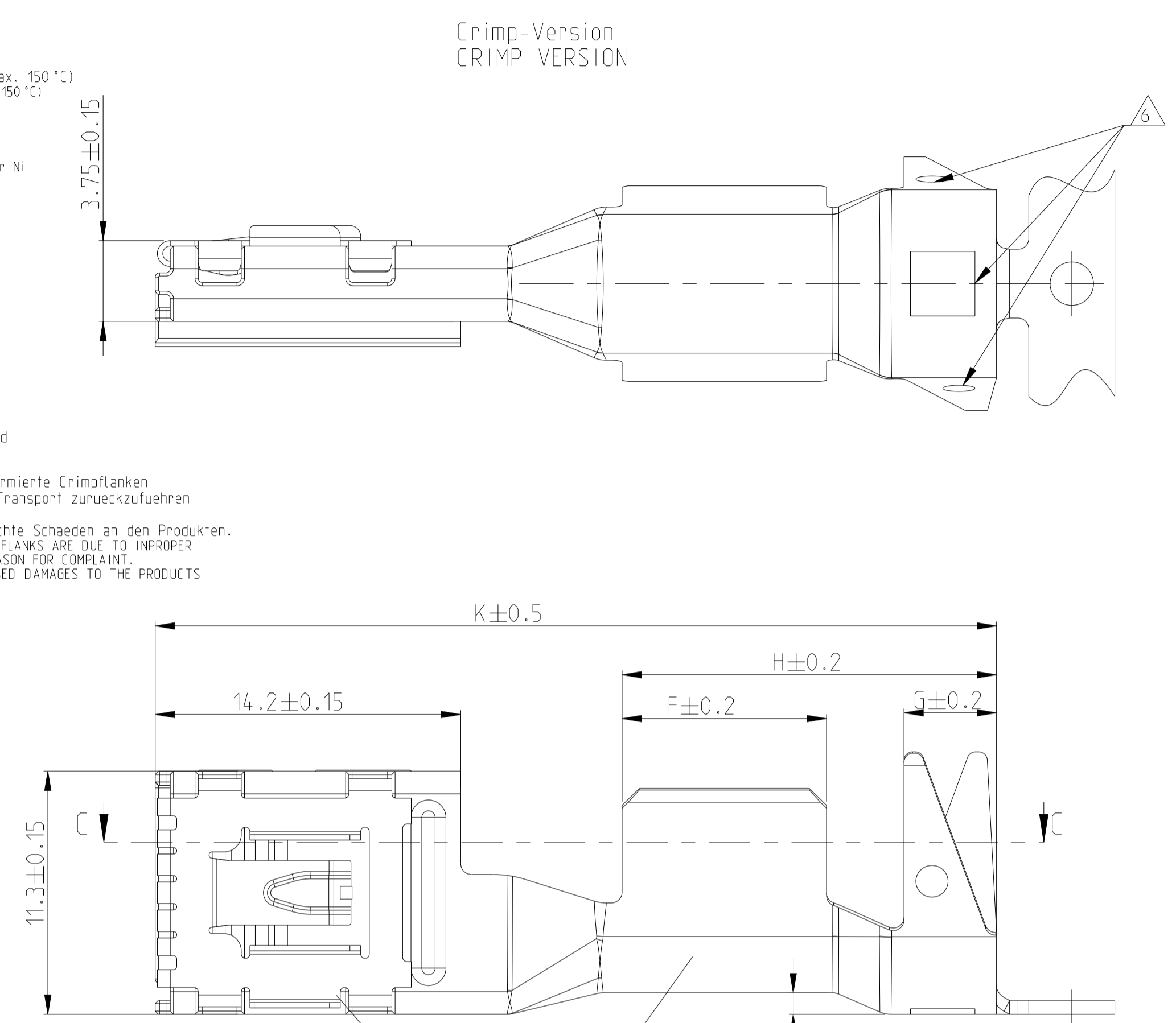


- Bemerkungen NOTES
- 1 Kontaktkoerper BODY
 - 2 Kontaktfeder SPRING
 - 3 Fuer FLR-Leitung nach DIN 72551, Teil 6 FOR FLR-WIRE SEE DIN 72551, PART 6
 - 4 SURFACE Oberflaeche
 - 4a -HOT DIPPED SnAg 1 TO 5 µm (max. 150 °C) -Feuerverzinkt SnAg 1 TO 5 µm (max. 150 °C)
 - 4b BODY Kontaktkoerper -TIN PLATED Sn 1-3 µm OVER Ni -Galvanisch beschichtet Sn 1-3 µm ueber Ni
 - 4c BODY (ONLY CONTACT AREA) Kontaktkoerper (nur Kontaktzone) -SILVER PLATED 2 TO 4 µm -galv. versilbert 2 bis 4 µm
 - 5 Markierung fuer galvanische Ausfuehrung: -AG: versilbert -verzinkt: ohne Markierung STAMPED INDICATOR FOR PLATING: -AG: SILVER PLATING -TIN PLATING: WITHOUT INDICATOR
 - 6 TE Logo, Aenderungsstand, Datumscode REVISION STATUS, DATE CODE
 - 7 Getestet nach GMW 3191 Validation ausstehend VALIDATED TO GMW 3191 VALIDATION TBD
 - 8 Durchstochenes Zwischenlagenpapier oder deformierte Crimpflanken sind auf ein unsachmaessiges Handling beim Transport zurueckzufuehren und stellen keinen Reklamationsgrund dar. TE uebernimmt keine Haftung fuer so verursachte Schaeden an den Produkten. PUNCTURED IN-LAYER PAPER OR DEFORMED CRIMPING FLANKS ARE DUE TO IMPROPER HANDLING DURING TRANSPORT AND THERE IS NO REASON FOR COMPLAINT. TE DO NOT TAKE OVER ANY LIABILITY FOR SO CAUSED DAMAGES TO THE PRODUCTS
 - 9 8 MM² WIRE ONLY QUALIFIED TO 105 °C Leitung nur bis max. 105 °C qualifiziert

LOC	DIST	REV	DATE	OWN	APPV
A1	-	P	17MAR2020	BH	BH
		L	30OCT2020	BH	BH
		C	20OCT2021	KHR	BH
		C	02FEB2023	SMR	LM



VERSION / Ausfuehrung	MCON 9.5 for 12 mm TAB VERSION	STANDARD CRIMP	SINGLE WIRE SEAL	REV./Rev.	MATERIAL Werkstoff	SURFACE Oberflaeche	WIRE RANGE Draht-groessenbereich [mm²]	WIRE CRIMP Drahtcrimp										INSULATION CRIMP Isolationscrimp										TE- NO.	Ø [mm]	TAB DIMENSION Tab geometrie	VERSION SEE SPEC. / Ausfuehrung siehe Spezifikation		
								A	B	D _{Dr}	C	E	D _{ISO}	F	G	H	J	K	F	G	H	J	K										
STANDARD CRIMP	MCON 9.5 for 12 mm TAB VERSION	STANDARD CRIMP	SINGLE WIRE SEAL	1-1563846-3	B	CuNiSi R690	CuSn R460	4a	4b	4c	16	9.25	9.6	5.3	14.5	15.22	9.5	9	4.4	18.2	2.45	39.1	2287390	14	9.5 x 1.2	VERSION SEE SPEC. / Ausfuehrung siehe Spezifikation							
				1-1563846-1																													
				1-1563845-3	B	CuNiSi R690	CuSn R460	4a	4b	4c	8-10	7.5	7.8	4.2	14.5	15.2	9.5	7	4.1	15.9	2.45	37.6											
				1-1563845-1	B	CuNiSi R690	CuSn R460	4a	4a	9	6.3	6.7	3.1	14.5	15.2	9.5	6	4.1	14.9	2.45	36.6												
				1-1563844-3	B	CuNiSi R690	CuSn R460	4a	4b	4c	4-6	6.3	6.7	3.1	14.5	15.2	9.5	6	4.1	14.9	2.45	36.6											
				1-1563844-1	B	CuNiSi R690	CuSn R460	4a	4a	9	9.1	9.5	5.3	11.8	12.2	7.6	9.5	4.4	17.4	1	39.1												
	STANDARD CRIMP	MCON 9.5 for 12 mm TAB VERSION	STANDARD CRIMP	SINGLE WIRE SEAL	1-1563843-3	C	CuNiSi R690	CuSn R460	4a	4b	4c	16	9.1	9.5	5.3	11.8	12.2	7.6	9.5	4.4	17.4	1					39.1						
					1-1563843-1																												
					2-1563842-3	A	CuNiSi R690	CuSn R460	4a	4b	4c	8-10	7.5	7.8	4.2	10.4	10.2	6.2	7	4.4	14.4	0.9					36.1	N/A	N/A				
					2-1563842-1	A	CuNiSi R690	CuSn R460	4a	4a	9	6.3	6.6	3.1	6.9	7.2	3.9	6	3.8	12.1	0.6	33.8											
					2-1563841-3																												
					2-1563841-1	A	CuNiSi R690	CuSn R460	4a	4a	9	9.1	9.5	5.3	11.8	12.2	7.6	9.5	4.4	17.4	1	39.1											
STANDARD CRIMP	MCON 9.5 for 0.8 mm TAB VERSION	STANDARD CRIMP	SINGLE WIRE SEAL	1-1823040-3	A	CuNiSi R690	CuSn R460	4a	4b	4c	16	9.25	9.6	5.3	14.5	15.22	9.5	9	4.4	18.2	2.45	39.1	2287390	14	9.5 x 0.8	VERSION SEE SPEC. / Ausfuehrung siehe Spezifikation							
				1-1823040-1																													
				1-1823038-3	CuNiSi R690	CuSn R460	4a	4b	4c	8-10	7.5	7.8	4.2	14.5	15.2	9.5	7	4.1	15.9	2.45	37.6												
				1-1823038-1	CuNiSi R690	CuSn R460	4a	4a	9	6.3	6.7	3.1	14.5	15.2	9.5	6	4.1	14.9	2.45	36.6													
				1-1823036-3																													
				1-1823036-1	CuNiSi R690	CuSn R460	4a	4a	9	9.1	9.5	5.3	11.8	12.2	7.6	9.5	4.4	17.4	1	39.1													
	STANDARD CRIMP	MCON 9.5 for 0.8 mm TAB VERSION	STANDARD CRIMP	SINGLE WIRE SEAL	1-1823034-3	CuNiSi R690	CuSn R460	4a	4b	4c	16	9.1	9.5	5.3	11.8	12.2	7.6	9.5	4.4	17.4	1	39.1											
					1-1823034-1	C	CuNiSi R690	CuSn R460	4a	4a	9	7.5	7.8	4.2	10.4	10.2	6.2	7	4.4	14.4	0.9	36.1					N/A	N/A					
					1-1823032-3	C	CuNiSi R690	CuSn R460	4a	4b	4c	8-10	7.5	7.8	4.2	10.4	10.2	6.2	7	4.4	14.4	0.9					36.1	N/A	N/A				
					1-1823032-1	C	CuNiSi R690	CuSn R460	4a	4a	9	6.3	6.6	3.1	6.9	7.2	3.9	6	3.8	12.1	0.6	33.8											
					1-1823030-3																												
					1-1823030-1	A	CuNiSi R690	CuSn R460	4a	4a	9	9.1	9.5	5.3	11.8	12.2	7.6	9.5	4.4	17.4	1	39.1											

THIS DRAWING IS A CONTROLLED DOCUMENT. TOLERANCING ISO 8015 TOLERIERUNG ISO 8015

DATE: 07MAY2009
 DWG: B.Hielscher
 CHK: W.Mueller
 APVD: ZOMAY2009

PRODUCT SPEC: MCON 9.5 RECEPTACLE
 PRODUCT TYPE: MCON 9.5 Kontaktbuchse

SCALE: 5:1
 SHEET: 1 OF 1

REVISIONS: 17MAR2020, 30OCT2020, 20OCT2021, 02FEB2023

OWNER: TE Connectivity