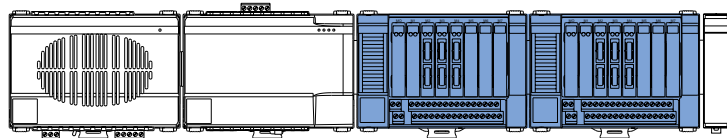


## BASES 16 Channel

- Automatically Detects OpenLine® I/O Modules Types
  - Fast Memory Bus Interface to OpenLine® Controllers
  - Performs 500 microsecond Scans of all Digital I/O Modules
  - Multiple Termination Options
  - Stack up to Eight Bases for 128 I/O Modules
  - Small Footprint
  - DIN Rail Mountable
  - UL, CSA, CE Certified
- (See Engineering Info on p. L-3)

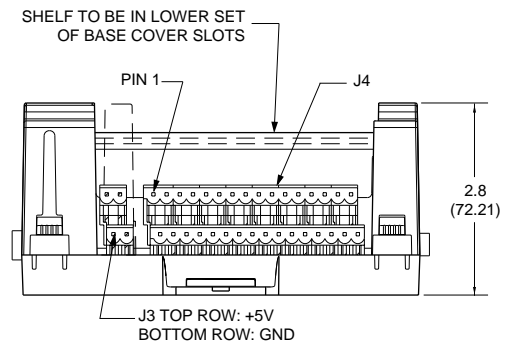
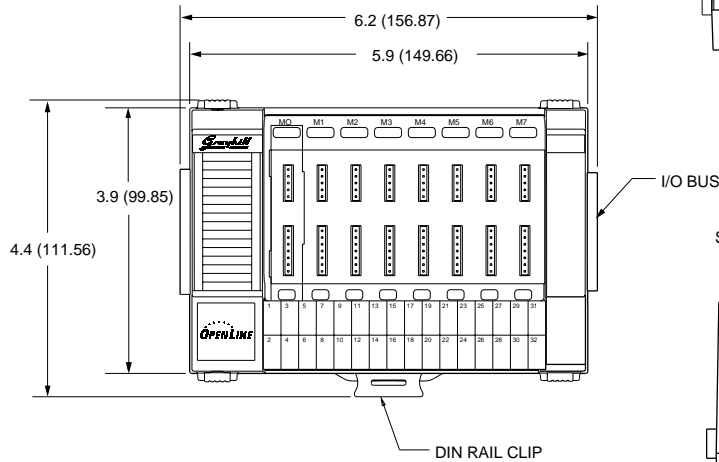


TWO 16 CHANNEL BASE UNITS ON OPENLINE® SYSTEM

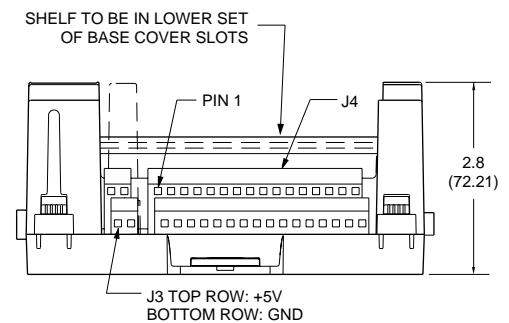
### 16 CHANNEL BASE: OpenLine® Smart Base with Memory Mapped I/O

**Part No. 7SLIOB16**

Dimensions are shown in inches (and millimeters).  
All tolerances are  $\pm 0.010$  (0,25) unless otherwise specified.

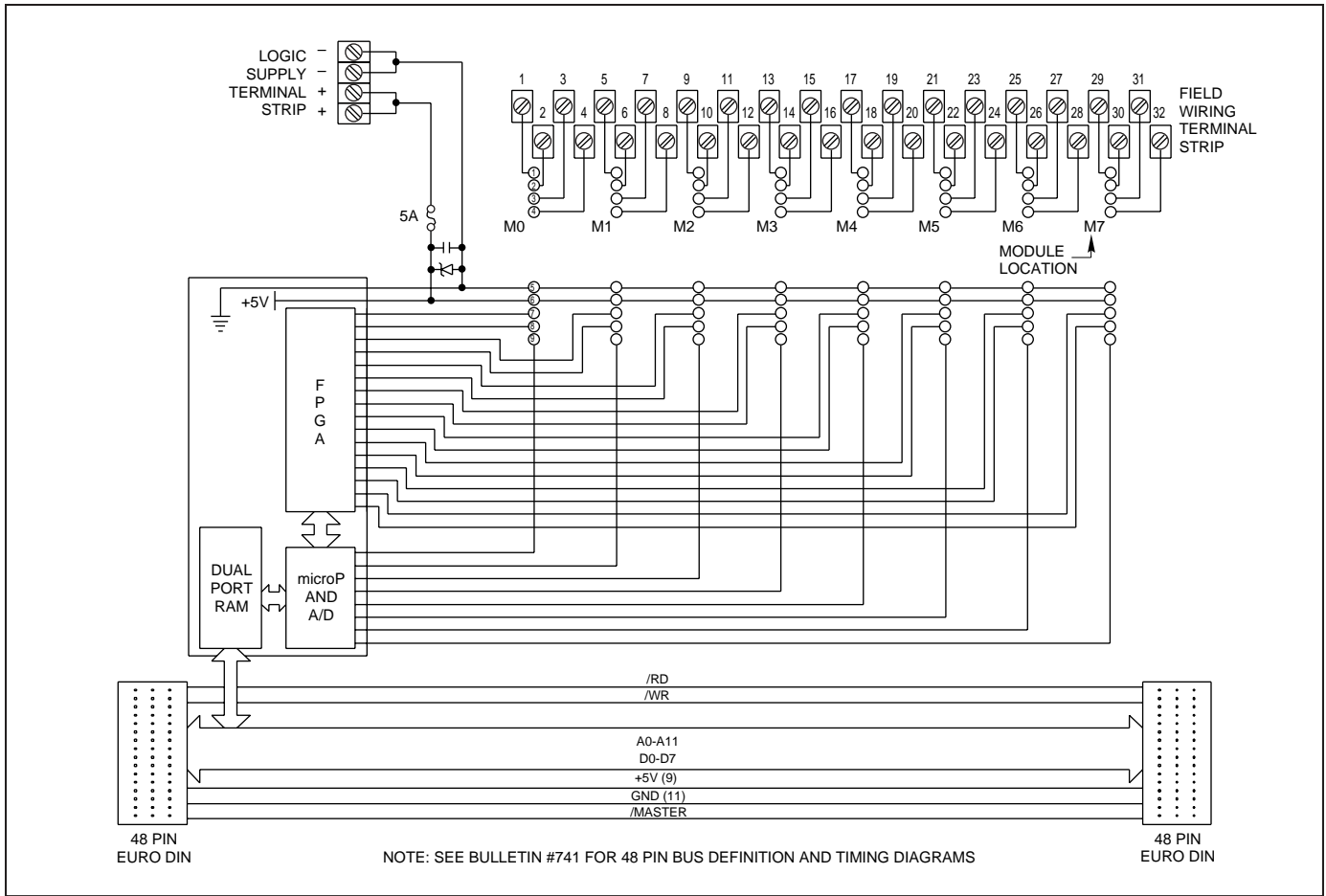


7SLIOB16P (WP VERSION SOLD WITH PLUGS)



7SLIOB16

**SCHEMATIC: Part No. 7SLIOB16 Smart Base with Memory Mapped I/O**



**ORDERING INFORMATION** (modules ordered separately)

Part Number	I/O	Description	UL	CSA	Style
7SLIOB16	16	Smart bases with dual port RAM interface. 48-pin Euro DIN logic signal connector. DIN rail mount.	X	X	OpenLine®
7SLIOB16P	16	Pluggable terminator (w/o plug)	X	X	OpenLine®
7SLIOB16WP	16	Pluggable terminator (w/plug)	X	X	OpenLine®
70L-JUMP6	16	Six position jumper bar			OpenLine®

For General Control System Information see pages L-39 to L-42.

**ACCESSORIES**

See page L-54

Available from your local Grayhill Distributor. For prices and discounts, contact a local Sales Office, an authorized local Distributor or Grayhill.

**DIMENSIONS: Jumper Bars**

