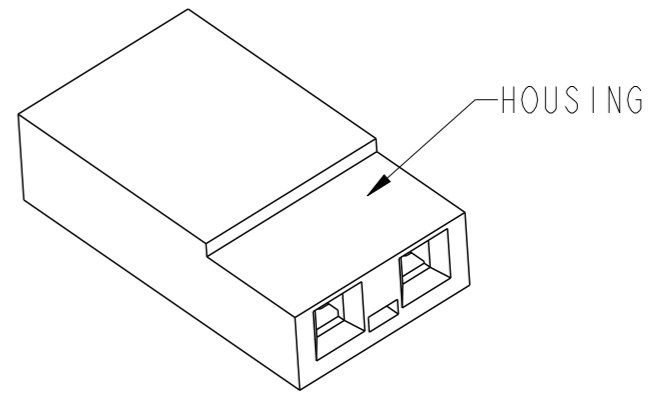
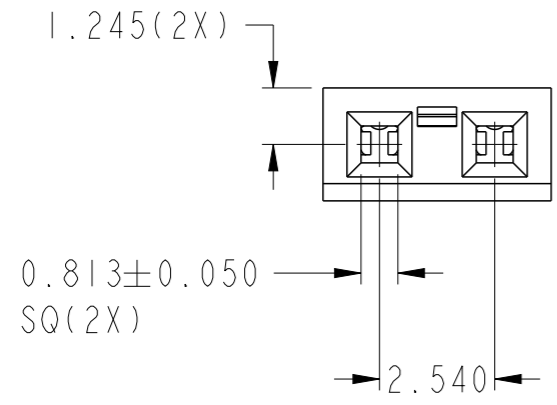
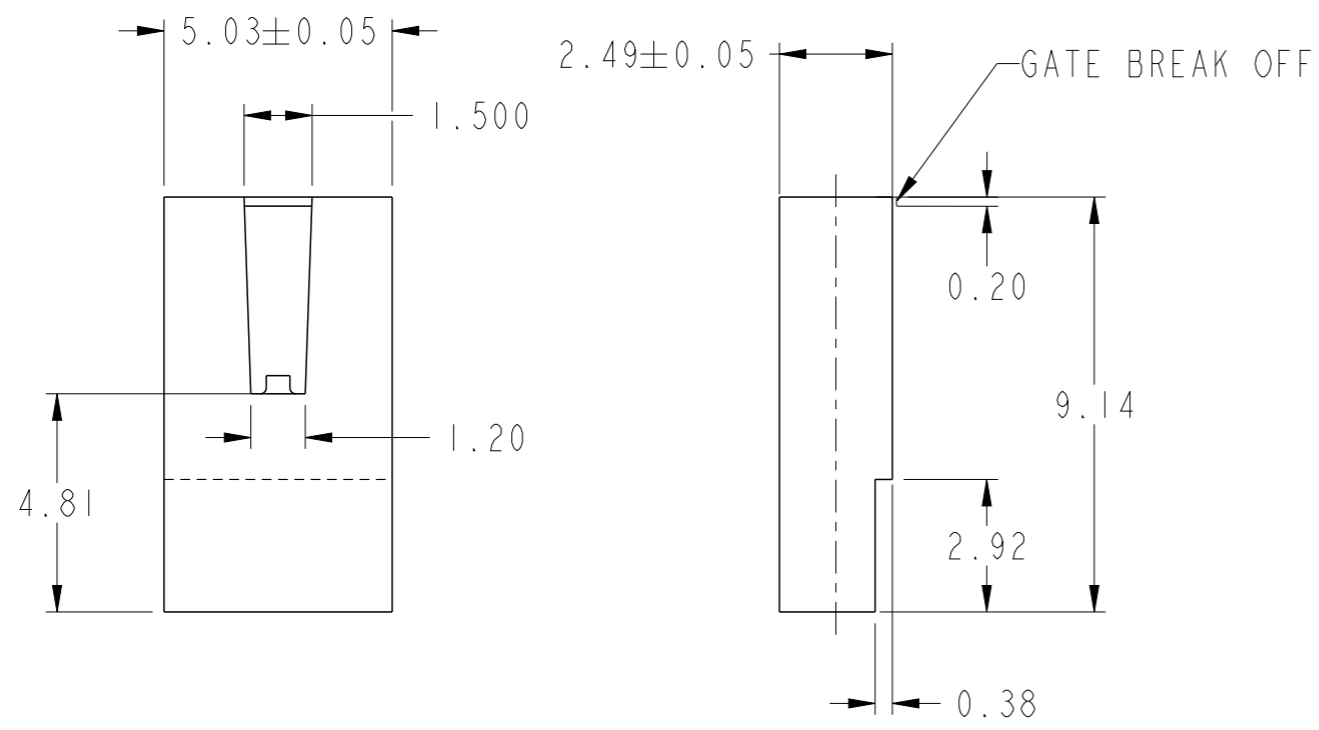


PART NO	PLATING
90518-102 SEE NOTE 5	0.38um/15u" GOLD OR GXT CONTACT. OVER 1.27um/50u" Ni (NOTE 6)
90518-202 SEE NOTE 5	0.76um/30u" GOLD OR GXT ON CONTACT AREA. OVER 1.27um/50u" Ni (NOTE 6)
71363-302 SEE NOTE 5	2.54um/100u" TIN/LEAD PLATING
90518-102LF SEE NOTE 5	0.38um/15u" GOLD OR GXT CONTACT. OVER 1.27um/50u" Ni (NOTE 6)
90518-202LF SEE NOTE 5	0.76um/30u" GOLD OR GXT ON CONTACT AREA. OVER 1.27um/50u" Ni (NOTE 6)



- NOTES:
- MATERIAL
HOUSING : 30% GLASS FILLED POLYESTER
FLAME RETARDANT PER UL 94V-0
COLOR : BLACK
 - TERMINAL : PHOSPHOR BRONZE
PLATING : REFER TO CHART
 - 90518-102 AND 90518-202 ARE THE SAME AS 90518-102LF AND 90518-202LF RESPECTIVELY. THE SUFFIX "LF" IS ADDED FOR EASY LEAD-FREE IDENTIFICATION.
 - THE HOUSING WILL WITHSTAND EXPOSURE TO 200°C PEAK TEMPERATURE FOR 10 SECONDS IN A CONVECTION, INFRA-RED OR VAPOR PHASE REFLOW OVEN.
 - THIS PRODUCT MEETS EUROPEAN UNION DIRECTIVES AND OTHER COUNTRY REGULATIONS AS DESCRIBED IN GS-22-008.
 - PLATING OPTION:
MAY BE EITHER GOLD OR GXT PLATED AT MANUFACTURER'S OPTION



CONFIDENTIAL

spec ref	-	dr	Louis Ng	2010/10/12	projection	MM	size	A3	scale	6:1
tolerance std	ISO 406 ISO 1101	eng	Guo-Min Sun	2013/05/16			ecn no	ELX-N-14401-1		
TOLERANCES UNLESS OTHERWISE SPECIFIED		chr	-	-			product family	JUMPER	rel level	Released
surface	ISO 1302	appr	Rick Bian	2013/05/26			dwg no	90518	rev	F
	linear	0.X	±0.35	HIGH BODY JUMPER		cat. no.	-	sheet	1 of 1	
		0.XX	±0.25							
		0.XXX	±0.10							
	angular	0°	±3°							

Copyright FCI.