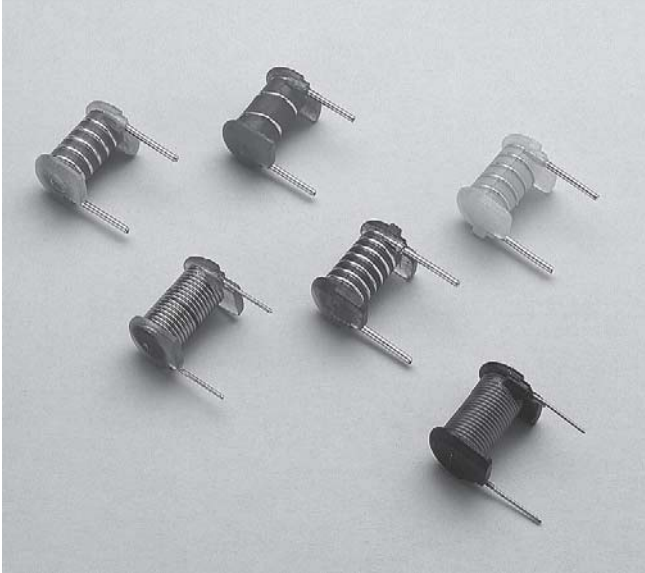




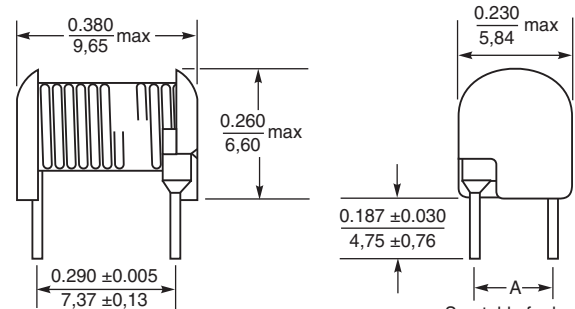
Fixed RF Inductors – 132 Series



These fixed RF coils are part of Coilcraft's series of insert molded inductors. This precision construction technique ensures constant winding pitch, long-term stability and tight tolerance ($\pm 5\%$) on inductance.

These high Q fixed inductors are available in standard values from 14.0 nH to 709 nH.

Coilcraft **Designer's Kit M304** contains three samples each of 20 standard values plus 13 values from the 148 Series. To order, please contact Coilcraft or visit <http://order.coilcraft.com>.



Weight: 245 – 510 mg

See table for lead diameter and spacing

Part number	L ² ±5% (nH)	Q min ²	SRF min ³ (MHz)	DCR max ⁴ (mOhms)	I _{rms} ⁵ (A)	Color	Turns	Lead gauge (AWG)	Dim A ⁶ (in/mm)	L ⁷ ±5% (nH)
132-01L	14.0	60@ 50 MHz	2500	2.1	4.0	Brown	1½	22	0.148/3,76	31.5
132-02L	21.0	64@ 50 MHz	2000	3.0	4.0	Red	2½	22	0.148/3,76	36.5
132-03L	28.0	68@ 50 MHz	1700	3.8	4.0	Orange	3½	22	0.148/3,76	44.0
132-04L	37.5	72@ 50 MHz	1550	4.7	4.0	Yellow	4½	22	0.148/3,76	53.5
132-05L	49.0	75@ 50 MHz	1240	5.7	4.0	Green	5½	22	0.148/3,76	64.0
132-06L	61.5	80@ 50 MHz	1160	6.6	4.0	Blue	6½	22	0.148/3,76	79.0
132-07L	83	66@ 25 MHz	900	7.4	3.5	Violet	7½	22	0.148/3,76	99.0
132-08L	98	68@ 25 MHz	800	8.0	3.5	Gray	8½	22	0.148/3,76	117
132-09L	120	68@ 25 MHz	700	9.0	3.5	White	9½	22	0.148/3,76	138
132-10L	140	68@ 25 MHz	615	10.0	3.0	Black	10½	22	0.148/3,76	158
132-11L	180	66@ 25 MHz	525	13.7	3.0	Brown	11½	23	0.148/3,76	197
132-12L	220	72@ 25 MHz	480	19.0	3.0	Red	12½	24	0.153/3,89	235
132-13L	246	70@ 25 MHz	440	20.3	3.0	Orange	13½	24	0.153/3,89	260
132-14L	276	70@ 25 MHz	410	22.5	3.0	Yellow	14½	24	0.153/3,89	290
132-15L	333	72@ 25 MHz	390	30.6	3.0	Green	15½	25	0.154/3,91	345
132-16L	397	72@ 25 MHz	365	40.3	2.5	Blue	16½	26	0.156/3,96	410
132-17L	460	66@ 25 MHz	340	43.1	2.5	Violet	17½	26	0.156/3,96	475
132-18L	505	66@ 25 MHz	325	57.3	2.0	Gray	18½	27	0.156/3,96	550
132-19L	571	68@ 25 MHz	310	61.2	2.0	White	19½	27	0.156/3,96	600
132-20L	709	66@ 25 MHz	275	82.7	1.5	Black	20½	28	0.160/4,06	720

1. When ordering, please specify **termination** code:

132-20L

Termination: L = RoHS compliant tin-silver over copper.
Special order: T = RoHS tin-silver-copper (95.5/4/0.5)
 or S = non-RoHS tin-lead (63/37).

2. Inductance and Q measured with leads connected directly to the Agilent/HP 4287A.

3. SRF measured using the Agilent/HP 8753D.

4. DCR measured using the Cambridge Technology Model 510 Micro Ohmmeter.

5. Average current for a 20°C temperature rise from 25°C ambient.

6. Tolerance $\pm 0.005"/0,13$ mm.

7. The inductance values in column two are more accurate measurements taken on a contemporary meter. The old values in this column are for reference by existing users of these parts and were measured with leads connected directly to a Boonton 260-A.

8. Operating temperature range -40°C to 85°C.

9. Electrical specifications at 25°C.

COILCRAFT ACCURATE
PRECISION REPEATABLE
 MEASUREMENTS
 SEE INDEX **TEST FIXTURES**

Coilcraft®

Specifications subject to change without notice.
 Please check our website for latest information.

Document 114 Revised 03/23/06

1102 Silver Lake Road Cary, Illinois 60013 Phone 847/639-6400 Fax 847/639-1469

E-mail info@coilcraft.com Web <http://www.coilcraft.com>