

DATA SHEET

CHIP RESISTORS WITH NI/AU TERMINATIONS

AR series

5%, 1%

sizes 0402/0603/0805/1206

RoHS compliant



SCOPE

This specification describes AR0402 to AR1206 chip resistors with Ni/Au-terminations made by thick film process.

APPLICATIONS

- Power supply in small equipment
- Digital multi-meter
- Telecommunication
- Computer
- Automotive industry

FEATURES

- RoHS compliant
 - Products with lead free terminations meet RoHS requirements
 - Pb-glass contained in electrodes, resistor element and glass are exempted by RoHS
- Reducing environmentally hazardous wastes
- High component and equipment reliability
- Saving of PCB space
- None forbidden-materials used in products/production
- Halogen Free Epoxy

ORDERING INFORMATION - GLOBAL PART NUMBER & I2NC

Both part numbers are identified by the series, size, tolerance, packing type, temperature coefficient, taping reel and resistance value.

YAGEO BRAND ordering code

GLOBAL PART NUMBER (PREFERRED)

AR XXXX X X X XX XXXX
 (1) (2) (3) (4) (5) (6)

(1) SIZE

0402
0603
0805
1206

(2) TOLERANCE

F = ±1%
J = ±5% (for Jumper ordering, use code of J)

(3) PACKAGING TYPE

R = Paper taping reel

(4) TEMPERATURE COEFFICIENT OF RESISTANCE

- = Base on spec

(5) TAPING REEL

07 = 7 inch dia. Reel

(6) RESISTANCE VALUE

There are 2~4 digits indicated the resistor value. Letter R/K/M is decimal point, no need to mention the last zero after R/K/M, e.g.1K2, not 1K20.

Detailed resistance rules show in table of "Resistance rule of global part number".

(7) OPTIONAL CODE

L = optional symbol (Note)

Resistance rule of global part number

Resistance code rule	Example
XRXX (1 to 9.76 Ω)	1R = 1 Ω 1R5 = 1.5 Ω 9R76 = 9.76 Ω
XXRX (10 to 97.6 Ω)	10R = 10 Ω 97R6 = 97.6 Ω
XXXR (100 to 976 Ω)	100R = 100 Ω
XKXX (1 to 9.76 KΩ)	1K = 1,000 Ω 9K76 = 9760 Ω
XMXX (1 to 9.76 MΩ)	1M = 1,000,000 Ω 9M76 = 9,760,000 Ω

ORDERING EXAMPLE

The ordering code of a AR0603 chip resistor with gold terminations, value 56 Ω with ±1% tolerance, supplied in 7-inch tape reel is: AR0603FR-0756R(L).

NOTE

1. All our RSMD products meet RoHS compliant. "LFP" of the internal 2D reel label mentions "Lead Free Process"
2. On customized label, "LFP" or specific symbol printed and the optional "L" at the end of GLOBAL PART NUMBER / I2NC can be added (both are on customer request)

PHYCOMP BRAND ordering codes

Both GLOBAL PART NUMBER (preferred) and I2NC (traditional) codes are acceptable to order Phycomp brand products.

GLOBAL PART NUMBER (PREFERRED)

For detailed information of GLOBAL PART NUMBER and ordering example, please refer to page 2.

I2NC CODE

SIZE	TYPE	2322	XXX XXXXX		PAPER/PE TAPE ON REEL (units) ⁽²⁾		Resistance decade ⁽³⁾	Last digit
		(1)	(2)	(3)	5,000	10,000		
0402	RC31	2322	±5%	1 to 10 MΩ	-	705 12xxx	0.01 to 0.0976 Ω	0
	RC32	2322	±1%	1 to 10 MΩ	-	706 2xxxx	0.1 to 0.976 Ω	7
	Jumper	2322	-	0 Ω	-	705 19001	1 to 9.76 Ω	8
0603	RC21	2322	±5%	1 to 10 MΩ	702 11xxx	-	10 to 97.6 Ω	9
	RC22H	2322	±1%	1 to 10 MΩ	704 1xxxx	-	100 to 976 Ω	1
	Jumper	2322	-	0 Ω	702 19001	-	1 to 9.76 KΩ	2
0805	RC11	2322	±5%	1 to 10 MΩ	730 11xxx	-	10 to 97.6 KΩ	3
	RC12	2322	±1%	1 to 10 MΩ	734 1xxxx	-	100 to 976 KΩ	4
	Jumper	2322	-	0 Ω	730 19001	-	1 to 9.76 MΩ	5
1206	RC01	2322	±5%	1 to 10 MΩ	711 11xxx	-	10 to 97.6 MΩ	6
	RC02H	2322	±1%	1 to 10 MΩ	729 1xxxx	-	Example: 0.02 Ω = 0200 or 200	
	Jumper	2322	-	0 Ω	711 19001	-	0.3 Ω = 3007 or 307	
							1 Ω = 1008 or 108	
							33 KΩ = 3303 or 333	
							10 MΩ = 1006 or 106	

- (1) The resistors have a 12-digit ordering code starting with 2322.
- (2) The subsequent 4 or 5 digits indicate the resistor tolerance and packaging.
- (3) The remaining 4 or 3 digits represent the resistance value with the last digit indicating the multiplier as shown in the table of "Last digit of I2NC".
- (4) "L" is optional symbol ^(Note).

ORDERING EXAMPLE

The ordering code of a RC22H resistor with gold terminations, value 56 Ω with ±1% tolerance, supplied in tape of 5,000 units per reel is: 232270415609 (L) or AR0603FR-0756R(L).

NOTE

- 1. All our RSMD products are RoHS compliant. "LFP" of the internal 2D reel label mentions "Lead Free Process"
- 2. On customized label, "LFP" or specific symbol printed and the optional "L" at the end of GLOBAL PART NUMBER / I2NC can be added (both are on customer request)

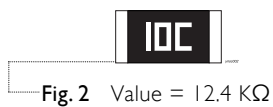
MARKING

AR0402



No marking

AR0603

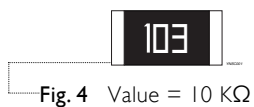


E-96 series: 3 digits for 0603 ±1% EIA-96 marking method

For 0603 ±1% E-24 series, one short bar under marking letter



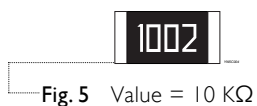
AR0603/0805/1206



E-24 series: 3 digits

First two digits for significant figure and 3rd digit for number of zeros

AR0805/1206



Both E-24 and E-96 series: 4 digits

First three digits for significant figure and 4th digit for number of zeros

For further marking information, please see special data sheet “Chip resistors marking”.

CONSTRUCTION

The resistor is constructed on top of a high-grade ceramic body. Internal metal electrodes are added on each end to make the contacts to the thick film resistive element. The composition of the resistive element is a noble metal imbedded into a glass and covered by a second glass to prevent environment influences. The resistor is laser trimmed to the rated resistance value. The resistor is covered with a protective epoxy coat, finally the two external terminations (Gold) are added. See fig. 6.

DIMENSIONS

Table I For outlines see fig. 6

TYPE	L (mm)	W (mm)	H (mm)	l ₁ (mm)	l ₂ (mm)
AR0402	1.00 ±0.05	0.50 ±0.05	0.35 ±0.05	0.20 ±0.10	0.25 ±0.10
AR0603	1.60 ±0.10	0.80 ±0.10	0.45 ±0.10	0.25 ±0.15	0.25 ±0.15
AR0805	2.00 ±0.10	1.25 ±0.10	0.50 ±0.10	0.35 ±0.20	0.35 ±0.20
AR1206	3.10 ±0.10	1.60 ±0.10	0.55 ±0.10	0.45 ±0.20	0.40 ±0.20

OUTLINES

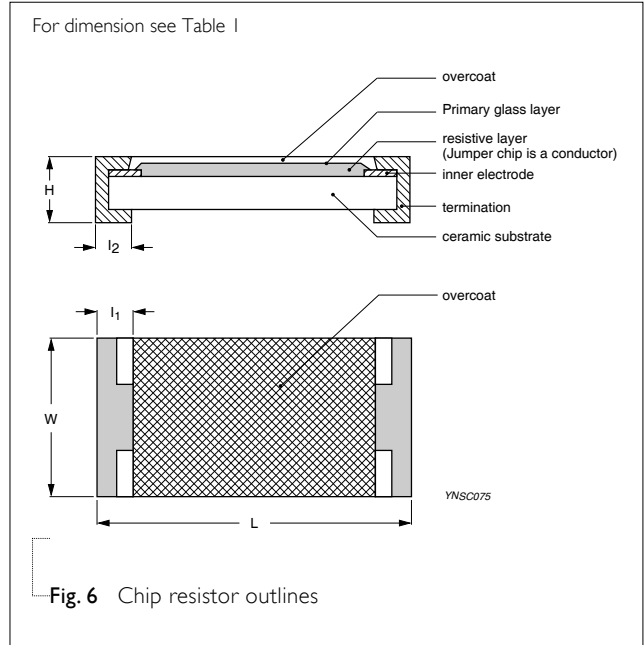


Fig. 6 Chip resistor outlines

ELECTRICAL CHARACTERISTICS

Table 2

TYPE	RESISTANCE RANGE	CHARACTERISTICS						Jumper Criteria	
		Operating Temperature Range	Max. Working Voltage	Max. Overload Voltage	Dielectric Withstanding Voltage	Temperature Coefficient of Resistance	Rated Current	Max. Current	
AR0402	1 Ω ≤ R ≤ 10 MΩ	-55 °C to +155 °C	50 V	100 V	100 V	10 Ω < R ≤ 10 MΩ: ±100 ppm/°C	1.0 A	2.0 A	
AR0603			50 V	100 V	100 V		1.0 A	2.0 A	
AR0805	Zero ohm Jumper < 0.05 Ω	-55 °C to +155 °C	150 V	300 V	300 V	1 Ω ≤ R ≤ 10 Ω: ±200 ppm/°C	2.0 A	5.0 A	
AR1206	200 V		500 V	500 V	2.0 A		10.0A		

FOOTPRINT AND SOLDERING PROFILES

For recommended footprint and soldering profiles, please see the special data sheet “Chip resistors mounting”.

PACKING STYLE AND PACKAGING QUANTITY

Table 3 Packing style and packaging quantity

PACKING STYLE	REEL DIMENSION	AR0402	AR0603	AR0805	AR1206
Paper taping reel (R)	7" (178 mm)	10,000	5,000	5,000	5,000

NOTE

I. For Paper/PE tape and reel specification/dimensions, please see the special data sheet “Chip resistors packing”.

FUNCTIONAL DESCRIPTION

OPERATING TEMPERATURE RANGE

AR0402 to AR1206: -55 °C to +155 °C

POWER RATING

Each type rated power at 70°C:

AR0402=1/16 W; AR0603=1/10 W;
AR0805=1/8 W; AR1206=1/4 W.

RATED VOLTAGE

The DC or AC (rms) continuous working voltage corresponding to the rated power is determined by the following formula:

$$V = \sqrt{P \times R}$$

or max. working voltage whichever is less

Where

V = Continuous rated DC or AC (rms) working voltage (V)

P = Rated power (W)

R = Resistance value (Ω)

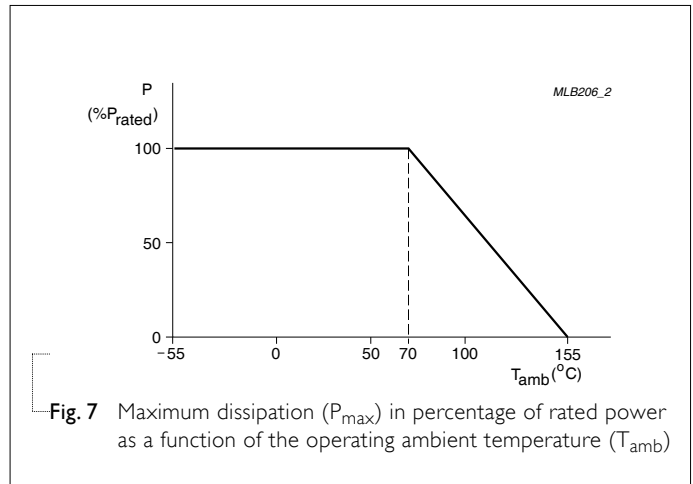


Fig. 7 Maximum dissipation (P_{max}) in percentage of rated power as a function of the operating ambient temperature (T_{amb})

TESTS AND REQUIREMENTS
Table 4 Test condition, procedure and requirements

TEST	TEST METHOD	PROCEDURE	REQUIREMENTS
Life/ Operational Life/ Endurance	MIL-STD-202G-method 108A	1,000 hours at 70±5 °C applied RCWV	±(2%+0.05 Ω)
	IEC 60115-1 4.25.1	1.5 hours on, 0.5 hour off, still air required	<100 mΩ for Jumper
	JIS C 5202-7.10		
High Temperature Exposure/ Endurance at upper category temperature	MIL-STD-202G-method 108A	1,000 hours at maximum operating temperature	±(1%+0.05 Ω)
	IEC 60115-1 4.25.3	depending on specification, unpowered	<50 mΩ for Jumper
	JIS C 5202-7.11	No direct impingement of forced air to the parts Tolerances: 150±3 °C	
Moisture Resistance	MIL-STD-202G-method 106F	Each temperature / humidity cycle is defined at 8	±(2%+0.05 Ω)
	IEC 60115-1 4.24.2	hours (method 106F), 3 cycles / 24 hours for 10d	<100 mΩ for Jumper
		with 25 °C / 65 °C 95% R.H, without steps 7a & 7b, unpowered Parts mounted on test-boards, without condensation on parts Measurement at 24±2 hours after test conclusion	
Thermal Shock	MIL-STD-202G-method 107G	AR0402/0603: -55/+155 °C	±(0.5%+0.05 Ω) for 10 KΩ to
		AR0805/1206: -55/+125 °C	10 MΩ
		Note: Number of cycles required is 300. Devices unmounted	±(1%+0.05 Ω) for others <50 mΩ for Jumper
		Maximum transfer time is 20 seconds. Dwell time is 15 minutes. Air – Air	
Short time overload	MIL-R-55342D-para 4.7.5	2.5 times RCWV or maximum overload voltage	±(2%+0.05 Ω)
	IEC60115-1 4.13	whichever is less for 5 sec at room temperature	<50 mΩ for Jumper No visible damage
Board Flex/ Bending	IEC60115-1 4.33	Device mounted on PCB test board as described, only 1 board bending required	±(1%+0.05 Ω) <50 mΩ for Jumper
		3 mm bending	No visible damage
		Bending time: 60±5 seconds Ohmic value checked during bending	

TEST	TEST METHOD	PROCEDURE	REQUIREMENTS
Solderability - Wetting	IPC/JEDECJ-STD-002B test B IEC 60068-2-58	Electrical Test not required Magnification 50X SMD conditions: 1 st step: method B, aging 4 hours at 155 °C dry heat 2 nd step: leadfree solder bath at 245±3 °C Dipping time: 3±0.5 seconds	Well tinned (≥95% covered) No visible damage
- Leaching	IPC/JEDECJ-STD-002B test D IEC 60068-2-58	Leadfree solder, 260 °C, 30 seconds immersion time	No visible damage
- Resistance to Soldering Heat	MIL-STD-202G-method 210F IEC 60068-2-58	Condition B, no pre-heat of samples Leadfree solder, 270 °C, 10 seconds immersion time Procedure 2 for SMD: devices fluxed and cleaned with isopropanol	±(1%+0.05 Ω) <50 mΩ for Jumper No visible damage

REVISION HISTORY

REVISION	DATE	CHANGE NOTIFICATION	DESCRIPTION
Version 7	Dec 23, 2008	-	<ul style="list-style-type: none"> - Change to dual brand datasheet that describes AR0402 to AR1206 with RoHS compliant - Description of "Halogen Free Epoxy" added - Define global part number
Version 6	Sep 26, 2005	-	<ul style="list-style-type: none"> - Sizes of 0402/0805 1% and 5% extended - Replace the 0603and 1206 parts of pdf files: RC01_02H_21_22H_51_5. - Test method and procedure updated - PE tape added (paper tape will be replaced by PE tape)
Version 5	Jul 07, 2003	-	<ul style="list-style-type: none"> - Updated company logo - Table 1: RC01, RC02H, RC22H ordering code revised - Marking code revised
Version 4	Oct 14, 2001	-	<ul style="list-style-type: none"> - Table 3: 'length' and 'width' changed; Table 4: 'bending' changed
Version 3	Apr 27, 2001	-	<ul style="list-style-type: none"> - Converted to Phycomp brand

“ Yageo reserves all the rights for revising the content of this datasheet without further notification, as long as the products itself are unchanged. Any product change will be announced by PCN.”