

# Horizontal Deflection for 17", 64 kHz Monitors

## Using Philips CU15/35 drive transformer & BU4522AF/AX transistor

Most 17" monitor designs for pc's are required to operate at frequencies up to 64 kHz; this Fact Sheet describes Philips Components & Semiconductors solution for the horizontal deflection circuit. This circuit uses the new CU15/35 drive transformer from Philips Components and the new BU4522AF/AX deflection transistor from Philips Semiconductors.

This circuit employs a new drive transformer designed specifically for optimum switching of Philips deflection transistors in multi-frequency monitor applications. The circuit is a complete solution to the horizontal output stage: the 'Hdrive' point can be attached to the output pin of most deflection/sync ic's. The concepts employed in this circuit are discussed in detail in the technical paper "Low power, low cost horizontal drive circuits with U15 core" (ETV/AN97002).

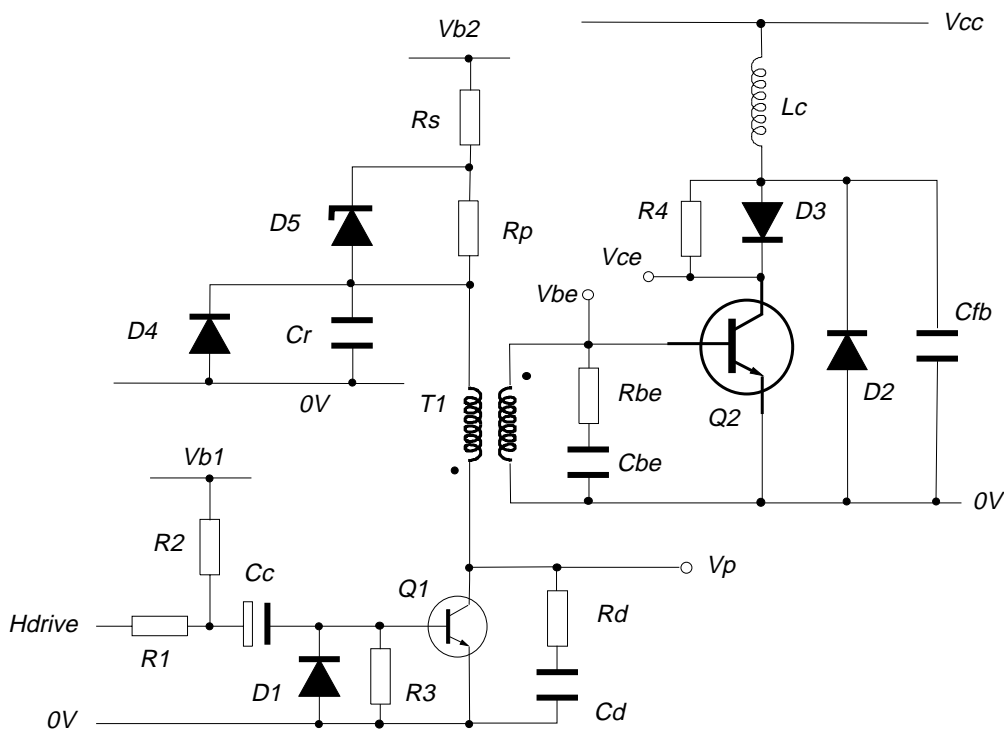


Fig. 1. Horizontal Deflection Circuit for 17", 64 kHz Monitors

Components and values: R1 = 100 Ω; R2 = 680 Ω; Vb1 = 12 V; Cc = 10 μF, 16 V; D1 = 1N4148; R3 = 18 kΩ; Rd = 390 Ω; Cd = 10 nF, 63 V; Vb2 = 18V; Cr = 470 nF; D4 = 1N4148; D5 = BZX79C6V8; Rp = 39 Ω, 1 W; Rs = 27 Ω, NFR25; Q1 = Philips BC337A; T1 = Philips CU15/35; Q2 Philips = BU4522AF/AX; D3 = BYV28-50; R4 = 47 Ω; Cbe = 150 nF; Rbe = 10 Ω; Lc = 140 uH; Cfb = 4.7 nF, 2 kV; D2 = Philips BY359X-1500S; Vcc = 130 V

*Let's make things better.*

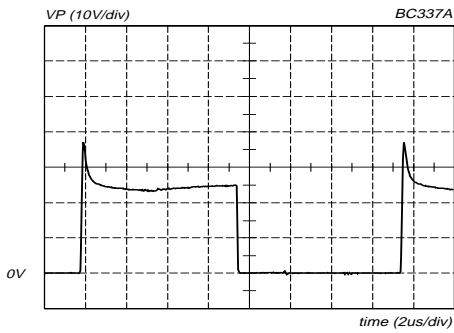


Fig. 2. BC337A  $V_p$  vs. time

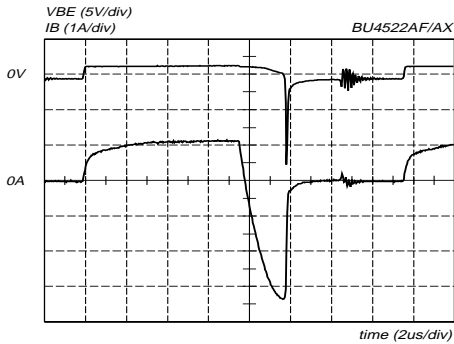


Fig. 3. BU4522AF/AX  $I_B$  &  $V_{BE}$  vs. time

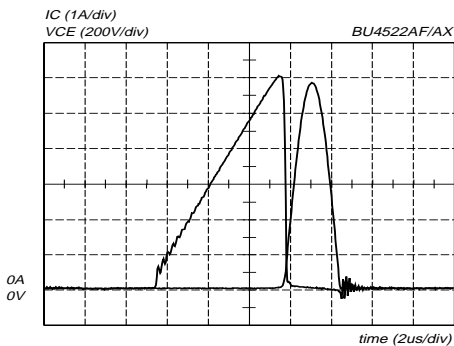


Fig. 4. BU4522AF/AX  $I_C$  &  $V_{CE}$  vs. time

$$I_{B(end)} = 1.15 - 1.25 \text{ A};$$

$$-3.0 \text{ A} \geq I_{B(off)} \geq -4.2 \text{ A};$$

$$I_{Cmax} = 6.0 \text{ A @ } 64 \text{ kHz};$$

$$V_{CEmax} \leq 1200 \text{ V}$$

Table 1 Operating Conditions

Figs. 2-4 show the important waveforms in the horizontal deflection circuit. The base drive current has been optimised, in this example, for an application running with a 50% duty cycle drive, peak  $I_C$  up to 6.0 A at 64 kHz and peak  $V_{CE}$  up to 1350 V. The operating conditions are summarised in Table 1 above. The circuit will also work for all the lower frequency modes required. If the drive duty cycle is not 50% a small change to the  $I_B$  may be necessary, achieved by altering  $R_p$  and  $R_s$  only.

For applications with operating conditions different to those detailed above Table 2 below details the actions to be taken:

Condition	Action
$I_{Cmax} \leq 5.5\text{A}$	use BU4515AF/AX
$I_{Cmax} \geq 6.5\text{A}$	use BU4523AF/AX
$f \geq 64 \text{ kHz}$	use BU4523AF/AX

Table 2 Actions for Different Operating Conditions

A change in transistor type requires a change in value of resistors  $R_p$  and  $R_s$  only.

This circuit employs some new concepts which have very important benefits for monitor design:

1. Low total dissipation, 'Green' design.
2. Low component count.
3. Low voltage, low cost components.
4. Flexible design, easy to change for new designs.
5. Reliable design for fault & transient conditions.

The concepts in this circuit can easily be applied to any other multi-frequency monitor design.

For more information contact:

**Philips Semiconductors**

Bramhall Moor Lane, Hazel Grove  
Stockport, Cheshire, SK7 5BJ, U.K.

Tel. 44 161 483 0011  
Telefax 44 161 483 0015

© Philips Electronics N.V. 1998

All rights are reserved. Reproduction in whole or in part is prohibited without the prior consent of the copyright owner.

The information presented in this document does not form part of any quotation or contract, is believed to be accurate and reliable and may be changed without notice. No liability will be accepted for any consequence of its use. Publication thereof does not convey nor imply any license under patent or other industrial or intellectual property rights.

Prepared by PSAL 3-98 9397 750 01391