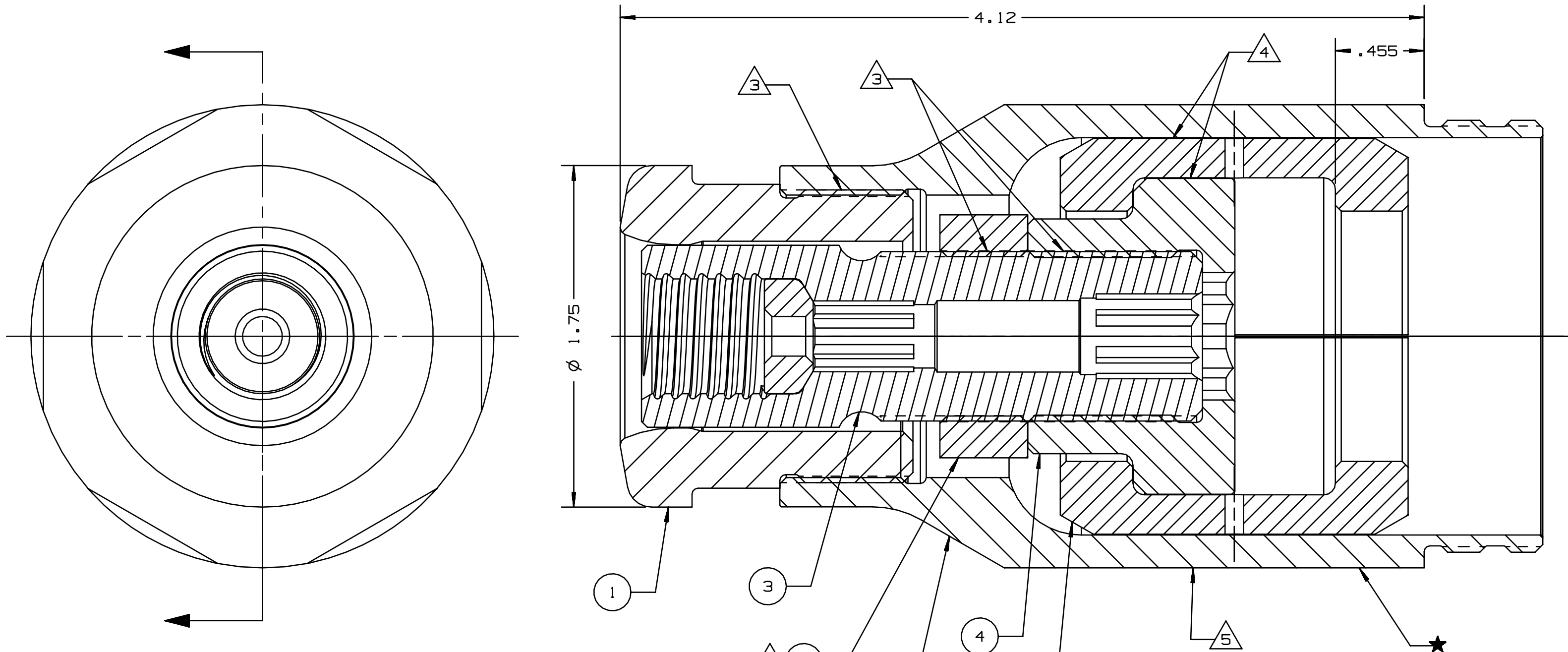


REV	DESCRIPTION	DATE
B	ADDED NOTES 3, 4, & 5.	12/30/04
C	127771 WAS 124346-1; ADDED 127774 502723 WAS 620030; ADDED NOTE 6	4/28/05



NOTES:

- 1 ETCH PER HUCK SPEC 42-311 ★
- 2 USE WITH HSSFT-M16 INSTALLATION TOOL.
- △ 3 APPLY LOCTITE 242 P/N 505016 TO THESE THREADED JOINTS.
- Ⓢ 4 APPLY LUBRIPLATE P/N 502723 TO SPLIT RINGS.
- △ 5 APPLY WARNING STICKER P/N 590273 TO ANVIL HOLDER. DO NOT PERMIT STICKER TO OVERLAP ONTO ANVIL.
- Ⓢ 6 TORQUE TO 90-100 LBS-FT.

Ⓢ 127774	1	JAM NUT	6
127570	1	SPLIT RINGS	5
127573	1	THIMBLE NUT	4
Ⓢ 127771	1	THIMBLE ASSY	3
127574	1	ANVIL HOLDER	2
126159	1	ANVIL	1
PART NO.	QTY	DESCRIPTION	ITEM

HUCK INTERNATIONAL, INC., I.S.D.  
1 CORPORATE DR., P.O. BOX 2270  
KINGSTON, NEW YORK 12401

NOSE ASSEMBLY  
MHP-M16 & HP-5/8" HS SWAGE FORWARD

DET: WV CK: DATE: 11/02/04 SCALE: 2:1

FOC. FAC. B 99-7602