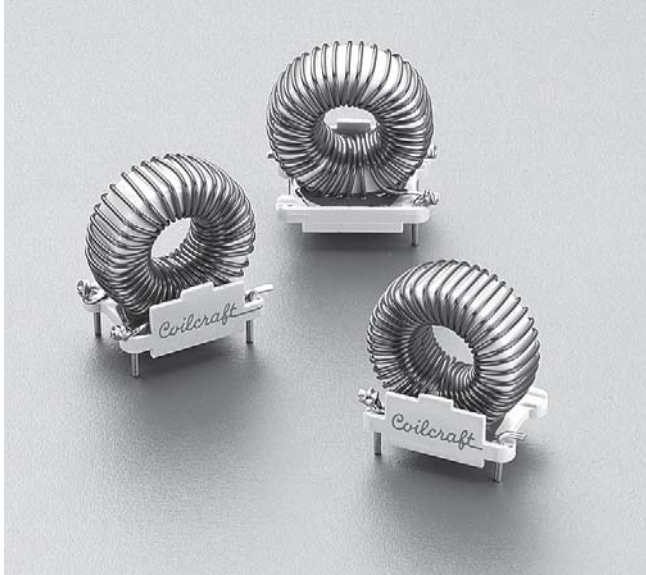




# Output Power Chokes – Toroid Styles

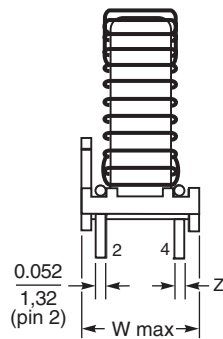
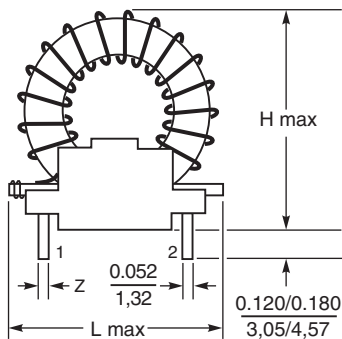


The DMT power inductors are designed primarily for use as output chokes in switching power supplies. The toroid core design offers the highest inductance values in the smallest part size, while minimizing external magnetic fields.

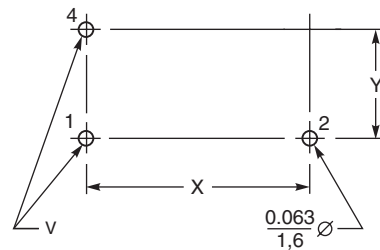
Inductance values range from 7  $\mu\text{H}$  to over 1.4 mH with current ratings as high as 12 Amps.

These parts are ideal for any application requiring a high DC current bias. They are well suited for use in switch-mode power supplies and can be used as ripple filters and differential mode EMI filters.

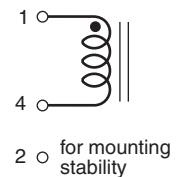
- All insulating materials 130°C or higher.
- Industry standard footprint.
- UL 1446 approved Insulation System available.
- All plastic material UL94V-0.



## Recommended Board Layout



## Schematic



**Terminations:** Tin-silver over copper

## Weight

**DMT1 Series:** 13.0 – 16.4 g  
**DMT2 Series:** 48.7 – 56.3 g  
**DMT3 Series:** 90.2 – 100.5 g

## DMT1 Series

Part number	L <sup>1</sup> min (μH)	Current rating (A)	DCR max (Ohms)	H max	L max	W max	X ±0.01/0.25	Y ±0.01/0.25	Z pins 1 & 4	V pins 1 & 4
DMT1-180-1.5L	180	1.5	0.29	1.1/27,9	1.3/33,0	0.7/17,8	0.80/20,3	0.40/10,2	0.052/1,32	0.063/1,60
DMT1-84-2.4L	84	2.4	0.14	1.1/27,9	1.3/33,0	0.7/17,8	0.80/20,3	0.40/10,2	0.052/1,32	0.063/1,60
DMT1-43-3.8L	43	3.8	0.07	1.1/27,9	1.3/33,0	0.7/17,8	0.80/20,3	0.40/10,2	0.052/1,32	0.063/1,60
DMT1-26-5.1L	26	5.1	0.04	1.1/27,9	1.3/33,0	0.7/17,8	0.80/20,3	0.40/10,2	0.052/1,32	0.063/1,60
DMT1-16-6.7L	16	6.7	0.02	1.1/27,9	1.3/33,0	0.7/17,8	0.80/20,3	0.40/10,2	0.041/1,04	0.052/1,32
DMT1-7-10L	7	10.0	0.01	1.1/27,9	1.3/33,0	0.7/17,8	0.80/20,3	0.40/10,2	0.052/1,32	0.063/1,60

1. Minimum inductance at rated current. Tested at 15.75 kHz, 10 Gauss level.
2. Operating temperature range -40°C to +85°C.
3. Electrical specifications at 25°C.

# Coilcraft®

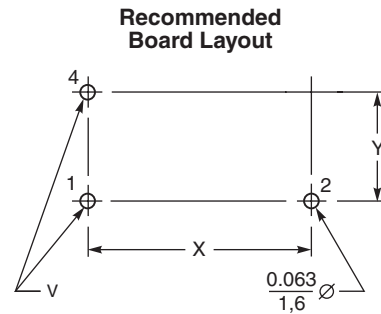
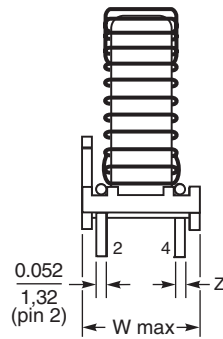
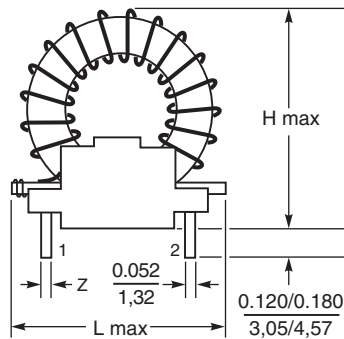
Specifications subject to change without notice.  
 Please check our website for latest information.

Document 139-1 Revised 07/31/07

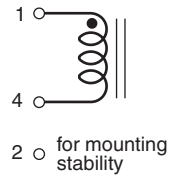
1102 Silver Lake Road Cary, Illinois 60013 Phone 847/639-6400 Fax 847/639-1469  
 E-mail [info@coilcraft.com](mailto:info@coilcraft.com) Web <http://www.coilcraft.com>



# Output Power Chokes – Toroid Styles



Schematic



Terminations: Tin-silver over copper

**Weight**

**DMT1 Series:** 13.0 – 16.4 g

**DMT2 Series:** 48.7 – 56.3 g

**DMT3 Series:** 90.2 – 100.5 g

## DMT2 Series

Part number	L <sup>1</sup> min (µH)	Current rating (A)	DCR max (Ohms)	H max	L max	W max	X ±0.01/0,25	Y ±0.01/0,25	Z pins 1 & 4	V pins 1 & 4
DMT2-567-1.5L	567	1.5	0.56	1.4/35,6	1.4/35,6	0.9/22,9	0.90/22,9	0.60/15,2	0.052/1,32	0.063/1,60
DMT2-273-2.4L	273	2.4	0.26	1.4/35,6	1.4/35,6	0.9/22,9	0.90/22,9	0.60/15,2	0.052/1,32	0.063/1,60
DMT2-149-3.8L	149	3.8	0.13	1.4/35,6	1.4/35,6	0.9/22,9	0.90/22,9	0.60/15,2	0.052/1,32	0.063/1,60
DMT2-79-6L	79	6.0	0.07	1.4/35,6	1.4/35,6	0.9/22,9	0.90/22,9	0.60/15,2	0.052/1,32	0.063/1,60
DMT2-47-8.2L	47	8.2	0.04	1.4/35,6	1.4/35,6	0.9/22,9	0.90/22,9	0.60/15,2	0.041/1,04	0.052/1,32
DMT2-26-11L	26	11.0	0.02	1.4/35,6	1.4/35,6	0.9/22,9	0.90/22,9	0.60/15,2	0.052/1,32	0.063/1,60
DMT2-796-1.5L	796	1.5	0.79	1.6/40,6	1.6/40,6	0.9/22,9	0.90/22,9	0.60/15,2	0.052/1,32	0.063/1,60
DMT2-380-2.4L	380	2.4	0.38	1.6/40,6	1.6/40,6	0.9/22,9	0.90/22,9	0.60/15,2	0.052/1,32	0.063/1,60
DMT2-200-3.8L	200	3.8	0.19	1.6/40,6	1.6/40,6	0.9/22,9	0.90/22,9	0.60/15,2	0.052/1,32	0.063/1,60
DMT2-134-4.8L	134	4.8	0.10	1.6/40,6	1.6/40,6	0.9/22,9	0.90/22,9	0.60/15,2	0.052/1,32	0.063/1,60
DMT2-80-6.3L	80	6.3	0.05	1.6/40,6	1.6/40,6	0.9/22,9	0.90/22,9	0.60/15,2	0.041/1,04	0.052/1,32
DMT2-49-8L	49	8.0	0.04	1.6/40,6	1.6/40,6	0.9/22,9	0.90/22,9	0.60/15,2	0.046/1,17	0.057/1,45
DMT2-20-12L	20	12.0	0.02	1.6/40,6	1.6/40,6	0.9/22,9	0.90/22,9	0.60/15,2	0.058/1,47	0.069/1,75

1. Minimum inductance at rated current. Tested at 15.75 kHz, 10 Gauss level.
2. Operating temperature range –40°C to +85°C.
3. Electrical specifications at 25°C.

## DMT3 Series

Part number	L <sup>1</sup> min (µH)	Current rating (A)	DCR max (Ohms)	H max	L max	W max	X ±0.01/0,25	Y ±0.01/0,25	Z pins 1 & 4	V pins 1 & 4
DMT3-1439-1.5L	1439	1.5	1.176	1.90/48,3	1.80/45,7	0.95/24,1	1.20/30,5	0.70/17,8	0.052/1,32	0.063/1,60
DMT3-695-2.4L	695	2.4	0.550	1.90/48,3	1.80/45,7	0.95/24,1	1.20/30,5	0.70/17,8	0.052/1,32	0.063/1,60
DMT3-402-3.7L	402	3.7	0.279	1.90/48,3	1.80/45,7	0.95/24,1	1.20/30,5	0.70/17,8	0.052/1,32	0.063/1,60
DMT3-257-4.9L	257	4.9	0.150	1.90/48,3	1.85/47,0	0.95/24,1	1.20/30,5	0.70/17,8	0.052/1,32	0.063/1,60
DMT3-138-6L	138	6.0	0.070	1.90/48,3	1.85/47,0	0.95/24,1	1.20/30,5	0.70/17,8	0.041/1,04	0.052/1,32
DMT3-77-8L	77	8.0	0.040	1.90/48,3	1.85/47,0	0.95/24,1	1.20/30,5	0.70/17,8	0.046/1,17	0.057/1,45
DMT3-35-12L	35	12.0	0.019	1.90/48,3	1.85/47,0	0.95/24,1	1.20/30,5	0.70/17,8	0.058/1,47	0.069/1,75

1. Minimum inductance at rated current. Tested at 15.75 kHz, 10 Gauss level.
2. Operating temperature range –40°C to +85°C.
3. Electrical specifications at 25°C.

**Coilcraft**<sup>®</sup>

Specifications subject to change without notice.  
Please check our website for latest information.

Document 139-2 Revised 07/31/07

1102 Silver Lake Road Cary, Illinois 60013 Phone 847/639-6400 Fax 847/639-1469

E-mail [info@coilcraft.com](mailto:info@coilcraft.com) Web <http://www.coilcraft.com>