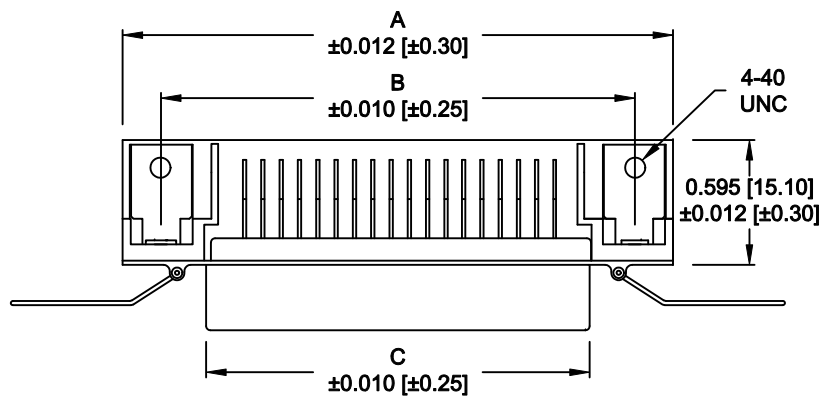


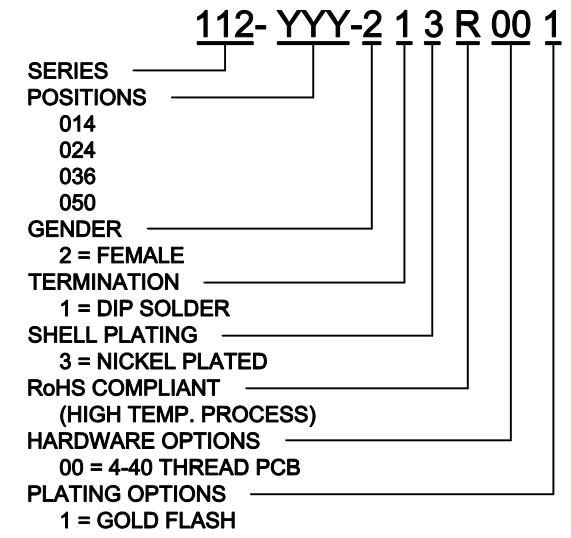
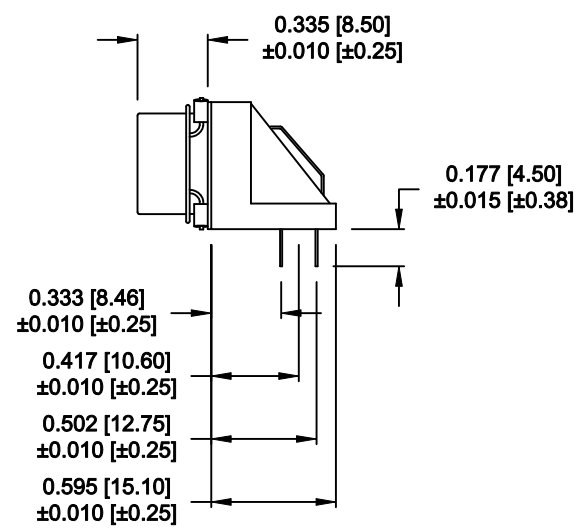
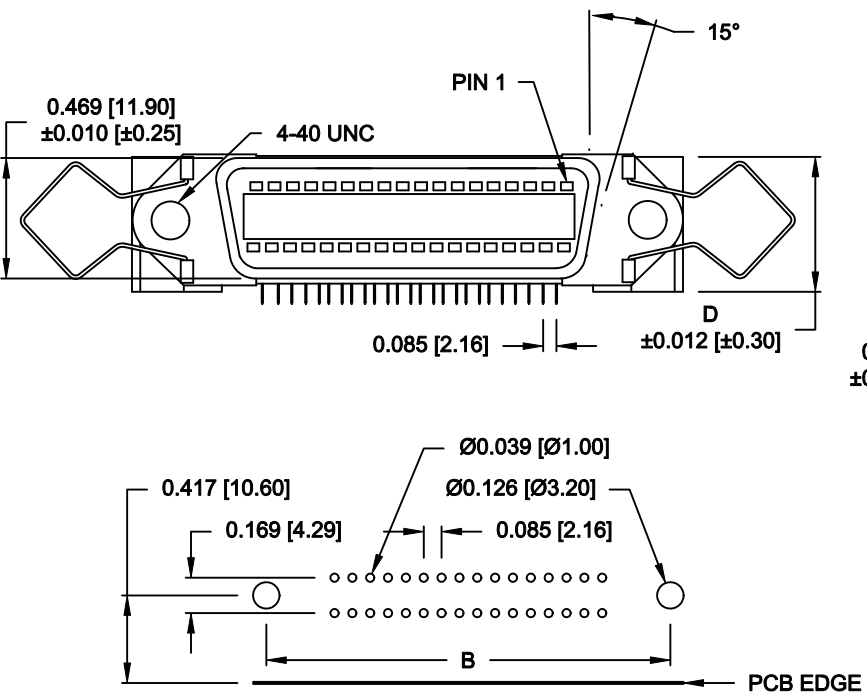
DESCRIPTION: .085" RIBBON FEMALE R/A BOARD MOUNT



No. OF PINS	DIMENSIONS			
	A	B	C	D
14	1.728	1.417	0.992	0.602
	43.90	36.00	25.20	15.30
24	2.154	1.843	1.417	0.600
	54.70	46.80	36.00	15.25
36	2.667	2.352	1.925	0.600
	67.75	59.74	48.90	15.25
50	3.272	2.947	2.524	0.600
	83.10	74.85	64.10	15.25

MATERIAL:
 SHELL: COLD ROLLED STEEL, NICKEL PLATED
 INSULATOR: PA9T, UL94V-0, BLUE
 CONTACTS: PHOSPHOR BRONZE OR BRASS,
 CONTACT PLATING: GOLD FLASH IN THE MATING AREA
 MATTE TIN IN THE SOLDER AREA



SPECIFICATION:
 CURRENT RATING: 1 AMP
 INSULATION RESISTANCE: 1,000 MegOhms min.
 WITHSTANDING VOLTAGE: 1,000VAC FOR 1 MINUTE
 VOLTAGE: 250 VAC max.
 CONTACT RESISTANCE: 30 milliOhms max.
 OPERATING TEMPERATURE: -55° C TO 105° C
 INSERTION FORCE: 25 Lb. max.
 WITHDRAWAL FORCE: 2 Lb. min.



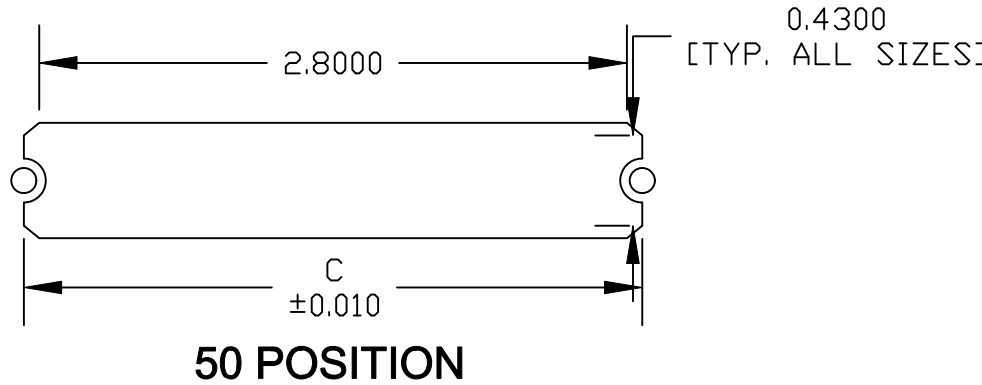
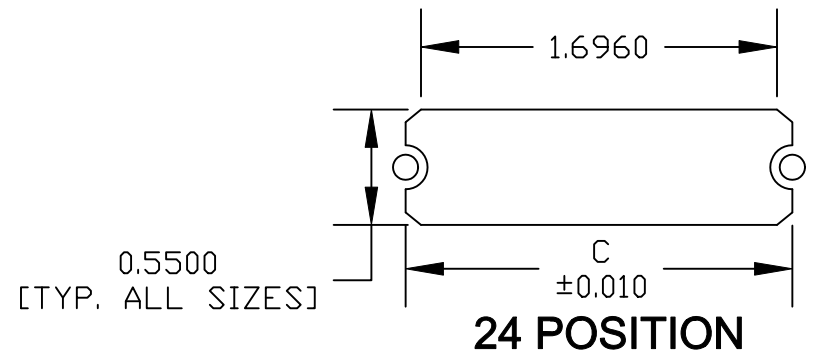
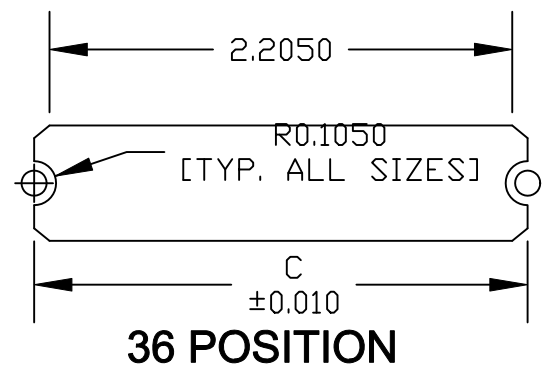
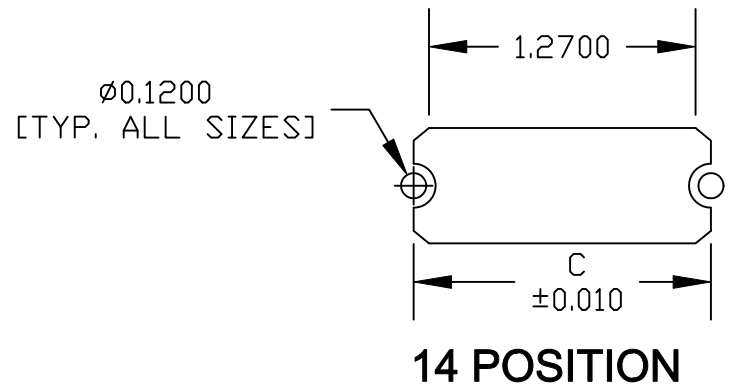
DO NOT SCALE FROM DRAWING

RECOMMENDED PCB LAYOUT

RoHS COMPLIANT

	THESE DRAWINGS AND SPECIFICATIONS ARE THE PROPERTY OF NorComp AND SHALL NOT BE REPRODUCED, COPIED OR USED AS THE BASIS FOR THE MANUFACTURE OR SALE OF APPARATUS WITHOUT WRITTEN PERMISSION.		DRAWN: WAYNE ROBBINS	DATE: 9-15-05
			CHECKED:	DATE:
		SCALE: 1:1	SHEET 1 OF 2	REV 7
		DWG NO. 112-YYY-213R001		

	014	024	036	050
C	1.417	1.843	2.352	2.947
	36.00	46.80	59.74	74.85



*****NOTE***** DIMENSION "C" =
 CENTER TO CENTER OF MOUNTING HOLES
 CENTER OF RADI
 OVERALL LENGTH OF CUTOUT

DO NOT SCALE FROM DRAWING

	THESE DRAWINGS AND SPECIFICATIONS ARE THE PROPERTY OF NorComp AND SHALL NOT BE REPRODUCED, COPIED OR USED AS THE BASIS FOR THE MANUFACTURE OF SALE OF APPARATUS WITHOUT WRITTEN PERMISSION.	DRAWN: M. SIGMON	DATE: 01-14-11	
		CHECKED:	DATE:	
<h1>NorComp</h1>		SCALE: NONE	SHEET 2 OF 2	REV 7
		DWG NO. 112-YYY-213R001		

RoHS COMPLIANT