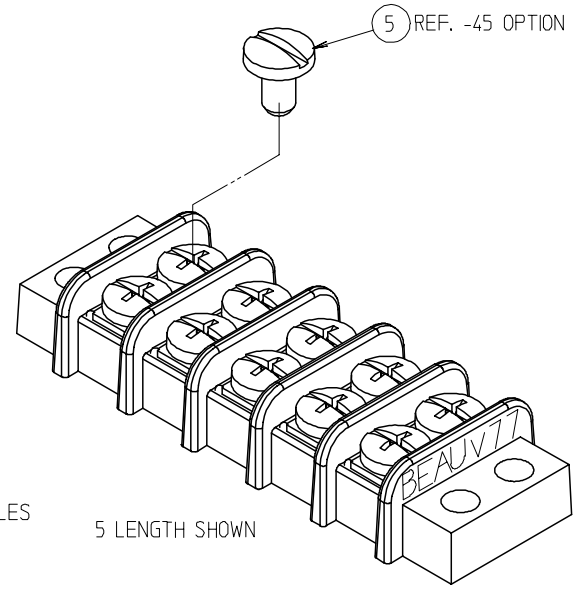
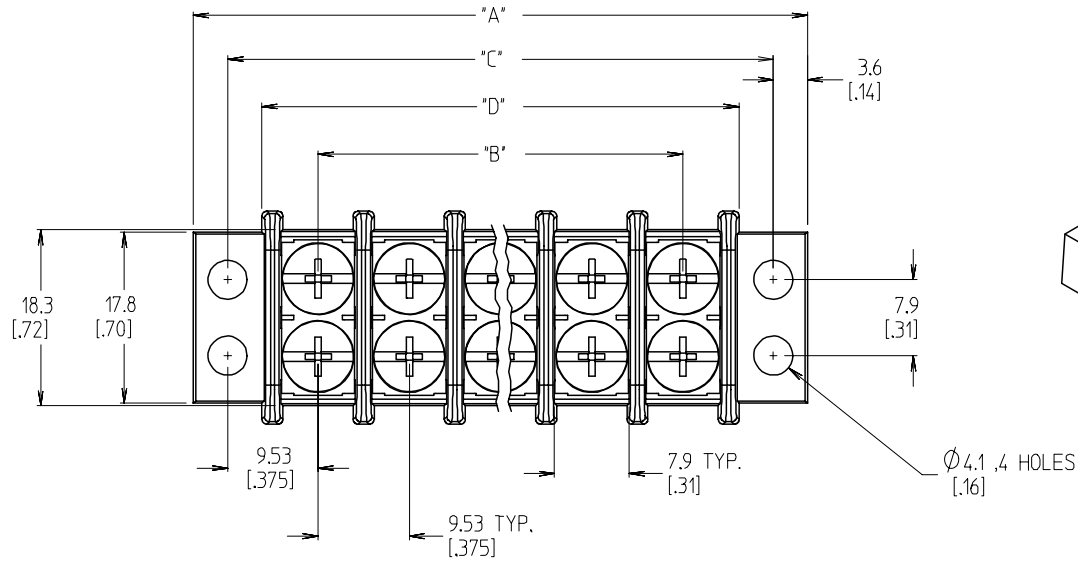
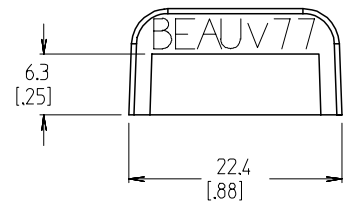
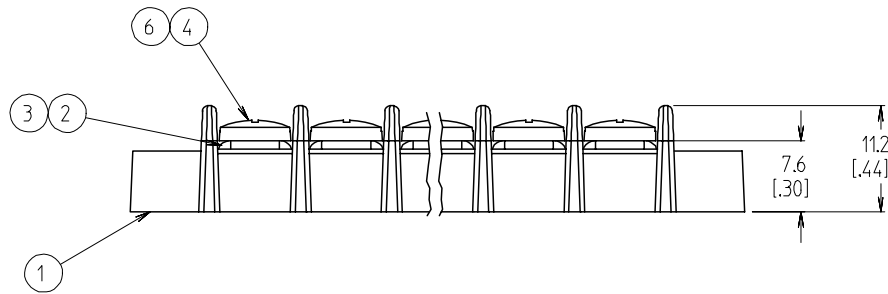


REF. -50 OPT. SCREW  
(WHERE APPLICABLE)



- NOTES:
1. MATERIAL: SEE TABLE
  2. FINISHES: SEE TABLE
  3. INCH DIMS ARE SHOWN IN BRACKETS [XXX]
  4. "XX" REFERS TO THE QUANTITY OF CIRCUITS.
  5. -61 OPTION: ONE ROW OF SCREWS NOT SUPPLIED. SCREW QUANTITY = "XX".
  6. -49 OPTION: USE ITEM 3 TERMINAL PLATE. ALL OTHERS USE ITEM 2.
  7. -58 OPTION: NO SCREWS SUPPLIED.
  8. ALL COMPONENTS ARE ROHS COMPLIANT.



7	XX*2	SCREW&WASHER, #6-32X.250, PAN, PHIL-SLOT (-50 & -50-61)	STEEL	ZNC W/CHROMATE
6	XX*2	SCREW, #6-32X.250, BHD, PHIL-SLOT (-49)	BRASS	NICKEL PLATE
5	XX*2	SCREW, #6-32X.250, BHD, SLOT (-45)	STEEL	ZNC W/CHROMATE
4	XX*2	SCREW, #6-32X.250, BHD, PHIL-SLOT (STD & -61)	STEEL	ZNC W/CHROMATE
3	XX	TERMINAL PLATE, TIN PLATED (SEE NOTE 6)	BRASS	TIN PLATE
2	XX	TERMINAL PLATE, NICKEL PLATED	BRASS	NICKEL PLATE
1	1	INSULATOR	PBT	BLACK
ITEM	QTY.	DESCRIPTION	MATERIAL NO.	ENGINEERING NO.

INITIAL RELEASE EC NO: ETC2007-0061 DRWN: CYORK 2006/08/30 CHKD: JMACNEIL 2006/08/30 APPR: JMACNEIL 2006/08/31 REV A	QUALITY SYMBOLS ▽=0 ▽=0	GENERAL TOLERANCES (UNLESS SPECIFIED)		DIMENSION STYLE		SCALE	DESIGN UNITS	THIRD ANGLE PROJECTION			
			mm	INCH	MM/IN	2:1	INCH				
		4 PLACES	± .005	± .005	MM/IN	DRAWN BY		DATE	TITLE 9.53 [.375] DOUBLE ROW LOW PROFILE BTS ASSY		
		3 PLACES	± .013	± .01		C. YORK		2006/08/11			
2 PLACES	± 0.3	± .01		CHECKED BY		DATE	MATERIAL NO.				
1 PLACE	± 0.3	± .01		J. MACNEIL		2006/08/11				DOCUMENT NO. SD-38770-004	
ANGULAR ± 2 °				APPROVED BY		DATE	SHEET NO. 1 OF 2				
				R. DEROSS		2006/08/11				THIS DRAWING CONTAINS INFORMATION THAT IS PROPRIETARY TO MOLEX INCORPORATED AND SHOULD NOT BE USED WITHOUT WRITTEN PERMISSION	
DRAFT WHERE APPLICABLE MUST REMAIN WITHIN DIMENSIONS				SEE SHT. 2							

NO. OF CIRC. "XX"	DIM "A"		DIM "B"		DIM "C"		DIM "D"		ASSEMBLY MATERIAL NO. (STANDARD)	ASSEMBLY MATERIAL NO. (-45 OPTION)	ASSEMBLY MATERIAL NO. (-49 OPTION)	ASSEMBLY MATERIAL NO. (-50 OPTION)	ASSEMBLY MATERIAL NO. (-58 OPTION)	ASSEMBLY MATERIAL NO. (-61 OPTION)	ASSEMBLY MATERIAL NO. (-50-61 OPTION)
	mm	in	mm	in	mm	in	mm	in							
02	35.7	1.41	9.53	0.375	28.58	1.125	21.3	0.84	38770-0102	38779-0314	38770-0202	38770-0302	38770-0402	38770-0602	38779-0253
03	45.2	1.78	19.05	0.750	38.10	1.500	30.8	1.21	38770-0103	38779-0316	38770-0203	38770-0303	38770-0403	38770-0603	
04	54.7	2.16	28.58	1.125	47.63	1.875	40.3	1.59	38770-0104	38779-0318	38770-0204	38770-0304	38770-0404	38770-0604	
05	64.3	2.53	38.10	1.500	57.15	2.250	49.8	1.96	38770-0105	38779-0320	38770-0205	38770-0305	38770-0405	38770-0605	38779-0428
06	73.8	2.91	47.63	1.875	66.68	2.625	59.4	2.34	38770-0106	38779-0323	38770-0206	38770-0306	38770-0406	38770-0606	
07	83.3	3.28	57.15	2.250	76.20	3.000	68.9	2.71	38770-0107		38770-0207	38770-0307	38770-0407	38770-0607	
08	92.8	3.66	66.68	2.625	85.73	3.375	78.4	3.09	38770-0108	38779-0326	38770-0208	38770-0308	38770-0408	38770-0608	
09	102.4	4.03	76.20	3.000	95.25	3.750	87.9	3.46	38770-0109	38779-0328	38770-0209	38770-0309	38770-0409	38770-0609	38779-0431
10	111.9	4.41	85.73	3.375	104.78	4.125	97.5	3.84	38770-0110		38770-0210	38770-0310	38770-0410	38770-0610	
11	121.4	4.78	95.25	3.750	114.30	4.500	107.0	4.21	38770-0111	38779-0331	38770-0211	38770-0311	38770-0411	38770-0611	
12	130.9	5.16	104.78	4.125	123.83	4.875	116.5	4.59	38770-0112		38770-0212	38770-0312	38770-0412	38770-0612	
13	140.5	5.53	114.30	4.500	133.35	5.250	126.0	4.96	38770-0113		38770-0213	38770-0313	38770-0413	38770-0613	
14	150.0	5.91	123.83	4.875	142.88	5.625	135.6	5.34	38770-0114		38770-0214	38770-0314	38770-0414	38770-0614	
15	159.5	6.28	133.35	5.250	152.40	6.000	145.1	5.71	38770-0115		38770-0215	38770-0315	38770-0415	38770-0615	
16	169.0	6.66	142.88	5.625	161.93	6.375	154.6	6.09	38770-0116		38770-0216	38770-0316	38770-0416	38770-0616	
17	178.6	7.03	152.40	6.000	171.45	6.750	164.1	6.46	38770-0117		38770-0217	38770-0317	38770-0417	38770-0617	
18	188.1	7.41	161.93	6.375	180.98	7.125	173.7	6.84	38770-0118		38770-0218	38770-0318	38770-0418	38770-0618	
19	197.6	7.78	171.45	6.750	190.50	7.500	183.2	7.21	38770-0119		38770-0219	38770-0319	38770-0419	38770-0619	
20	207.1	8.16	180.98	7.125	200.03	7.875	192.7	7.59	38770-0120		38770-0220	38770-0320	38770-0420	38770-0620	
21	216.7	8.53	190.50	7.500	209.55	8.250	202.2	7.96	38770-0121		38770-0221	38770-0321	38770-0421	38770-0621	
22	226.2	8.91	200.03	7.875	219.08	8.625	211.8	8.34	38770-0122		38770-0222	38770-0322	38770-0422	38770-0622	
23	235.7	9.28	209.55	8.250	228.60	9.000	221.3	8.71	38770-0123		38770-0223	38770-0323	38770-0423	38770-0623	
24	245.2	9.66	219.08	8.625	238.13	9.375	230.8	9.09	38770-0124	38779-0335	38770-0224	38770-0324	38770-0424	38770-0624	
25	254.8	10.03	228.60	9.000	247.65	9.750	240.3	9.46	38770-0125		38770-0225	38770-0325	38770-0425	38770-0625	
26	264.3	10.41	238.13	9.375	257.18	10.125	249.9	9.84	38770-0126		38770-0226	38770-0326	38770-0426	38770-0626	
27	273.8	10.78	247.65	9.750	266.70	10.500	259.4	10.21	38770-0127		38770-0227	38770-0327	38770-0427	38770-0627	
28	283.3	11.16	257.18	10.125	276.23	10.875	268.9	10.59	38770-0128		38770-0228	38770-0328	38770-0428	38770-0628	
29	292.9	11.53	266.70	10.500	285.75	11.250	278.4	10.96	38770-0129		38770-0229	38770-0329	38770-0429	38770-0629	
30	302.4	11.91	276.23	10.875	295.28	11.625	288.0	11.34	38770-0130		38770-0230	38770-0330	38770-0430	38770-0630	

SEE SHEET 1 EC NO: ETC2007-0061 DRWN: C. YORK 2006/08/30 CHKD: J. MACNEIL 2006/08/30 APPR: J. MACNEIL 2006/08/31	QUALITY SYMBOLS ▽=0 ▽=0	GENERAL TOLERANCES (UNLESS SPECIFIED)		DIMENSION STYLE		SCALE	DESIGN UNITS	THIRD ANGLE PROJECTION
				MM/IN		2:1	INCH	
				DRAWN BY DATE		TITLE		
				CHECKED BY DATE		9.53 [.375] DOUBLE ROW LOW PROFILE BTS ASSY		
		APPROVED BY DATE		MOLEX INCORPORATED				
		MATERIAL NO.		DOCUMENT NO.				
		SEE CHART		SD-38770-004		SHEET NO.		
		DRAFT WHERE APPLICABLE MUST REMAIN WITHIN DIMENSIONS		THIS DRAWING CONTAINS INFORMATION THAT IS PROPRIETARY TO MOLEX INCORPORATED AND SHOULD NOT BE USED WITHOUT WRITTEN PERMISSION		2 OF 2		

# Beau® Barrier Strips Single Row Tri-barrier Terminal Strips



### Features and Benefits

- Robust and durable welded construction
- Wide variety of screw and terminal options
- Tri-barrier construction prevents shorting

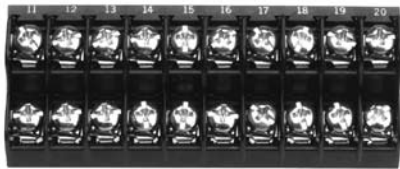
### Reference Information

UL File No.: E48521  
UL Guide No.: XCFR2  
CSA File No.: 025562

Screw Only	Insulated Solder	Insulated PC	Centerline PC	Solder Turret	Centerline Wire Wrap	Centerline Right Angle PC	Insulated Fast On	Offset PC	Offset Wire Wrap	Right Angle PC	Offset Right Angle PC
All	38720 38730	38720 38730	38630 38720 38730	38630 38720 38730 38631 38721 38731	38631 38721 38731 38741	38721 38731	38721 38731	38600 38660 38690 38700 38750 38704/38705	38691 38701 38751 38704/38705	38691	38751 38704/38705

Circuits	Series	Pitch	Current	Voltage	Wire Range AWG	Lead-free
2-32	38600	6.35 (.250)	10.0A	300V	18-22	Yes
2-15		12.70 (.500)	45.0A	600V	8-18	
2-30	38690/38691	8.25 (.325)	20.0A	300V	12-22	
2-26	38750/38751/38752	9.52 (.375)	25.0A	600V	12-24	
2-16	38634	11.12 (.438)				
2-12	38704/38705	8.25 (.325)	20.0A	300V	12-22	
2-16	38724/38725	9.52 (.375)	25.0A		12-24	
2-12	38734/38735	11.12 (.438)	30.0A		10-24	

## Dual-level Barrier Terminal Strips

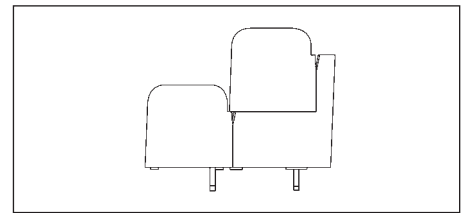


### Features and Benefits

- Robust and durable welded construction
- Low profile, high density

### Reference Information

UL File No.: E48521  
UL Guide No.: XCFR2  
CSA File No.: 025562



Circuits	Series	Pitch	Current	Voltage	Wire Range AWG	Lead-free
4-24	38706	8.25 (.325)	20.0A	300V	12-22	Yes

## Double Row Barrier Terminal Strips



### Features and Benefits

- Wide variety of options
- Snap-on covers
- Robust and reliable
- Closed bottom or feed-through

### Reference Information

UL File No.: E48521  
UL Guide No.: XCFR2  
CSA File No.: 025562

Screw Terminal	One-Sided Solder	Two-Sided Solder	Short Solder	Short PC	Long Solder	Long PC	Wire Wrap
All	38210 38760 38770	38210 38760 38770	All	38760 38770	38210 38760 38770 38780	38760 38770 38780	38760 38770 38780

Circuits	Series	Pitch	Current	Voltage	Wire Range AWG	Lead-free
2-26	38210	14.30 (.563)	30.0A	300V	10-18	Yes
2-12	38280	17.47 (.688)	50.0A		6-18	
2-30	38760	9.52 (.375)	20.0A		12-24	
	38770					
2-15	38221	14.30 (.563)	30.0A	600V		