

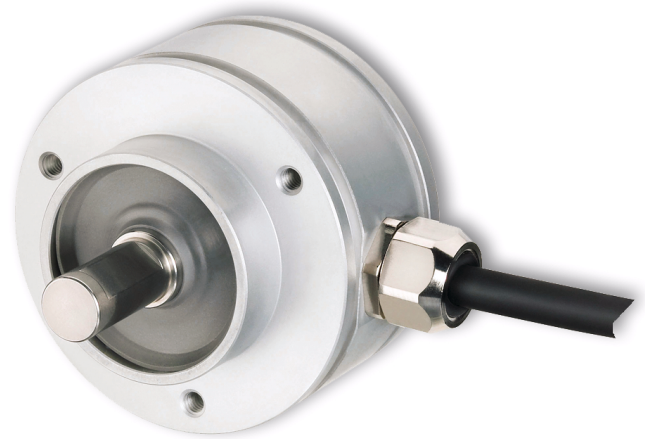
# SERIES AR62/AR63

**ACURO™ brand**

## Magnetic Absolute Encoder

### Key Features

- 12 Bit Single-Turn Resolution, up to 16 Bit Multi-Turn
- Oversized Bearings for up to 3x Life of Standard Absolute Encoders
- Wide -40° to 100°C Temperature Range
- Submersible — IP69k Sealing Available
- Rated to 200g Shock, 20g Vibration for Harsh Environments
- Stainless Steel or Aluminum Housing



## SPECIFICATIONS

### ELECTRICAL

**Supply voltage:** 5VDC, 10-30VDC, or 17-30VDC (see "Ordering Information")  
**EMC:** EN 61326 (external protective circuit required)  
**Resolution singleturn:** 12 Bit  
**Resolution multiturn:** 12, 13, 16 Bit  
**Absolute accuracy:** ±0.6°  
**Repeatability:** ±0.2°  
**Parametrization:** Preset

### MECHANICAL

**Housing diameter:** 58 mm  
**Mounting depth:** 32 mm  
**Shaft diameter:** 3/8", 10 mm  
**Flange:** Synchro clamping or 2.5" Square flange  
**Protection Class (EN 60529):** Housing & Shaft, IP67 or IP69k  
**Shaft load:** axial 300 N max.; radial 300 N max.

### ENVIRONMENTAL

**Shaft speed (maximum):** 5000 rpm  
**Vibration resistance:** (DIN EN 60068-2-6) 200 m/s<sup>2</sup>  
**Shock resistance:** (DIN EN 60068-2-27) 2000 m/s<sup>2</sup> (6 ms)  
**Operating temperature:** -40 °C to +100 °C  
**Connection:** Cable, radial; M12 connector, radial

### ELECTRICAL CONNECTIONS – BiSS / SSI

Cable Color	PIN	Signal
Yellow	6	Clock
Pink	5	Data
Green	4	Clock
Grey	8	Data
White	1	UB
Brown	2	0V
Red	3	Preset (set to 0)
Screen	Screen	Screen

### ELECTRICAL CONNECTIONS – CANopen

Color cable	PIN	Signal
Yellow	6	CAN in+
Green	4	CAN in-
Pink	3	CAN out+
Grey	7	CAN out-
Bue	n.c.	n.c.
Red	n.c.	n.c.
White	1	UB
Brown	2	0 V
Screen	Screen	Screen Screen

### ELECTRICAL CONNECTIONS – Analog

Cable Color	PIN	Signal
Pink	6	0 to 10 V (max. 5mA)
Blue	7	0 to 20 mA or 4 to 20 mA (current ouput)
Grey	5	AGND
Red	8	preset (set to 0)
White	1	UB
Brown	2	0 V
Yellow <sup>1</sup>	4	Diagnostic 1
Green <sup>1</sup>	3	Diagnostic 2
Screen	Screen	Screen

<sup>1</sup> Diagnostic signals only for service purposes. The cable wires have to be isolated.

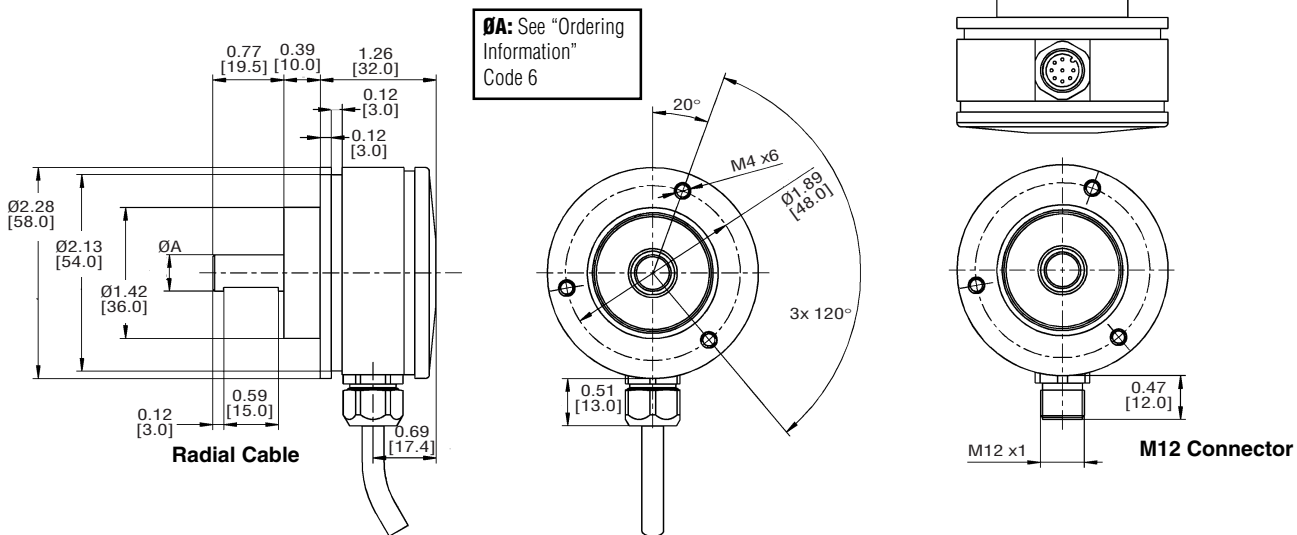
## Ordering Information

To order, complete the model number with code numbers from the table below:

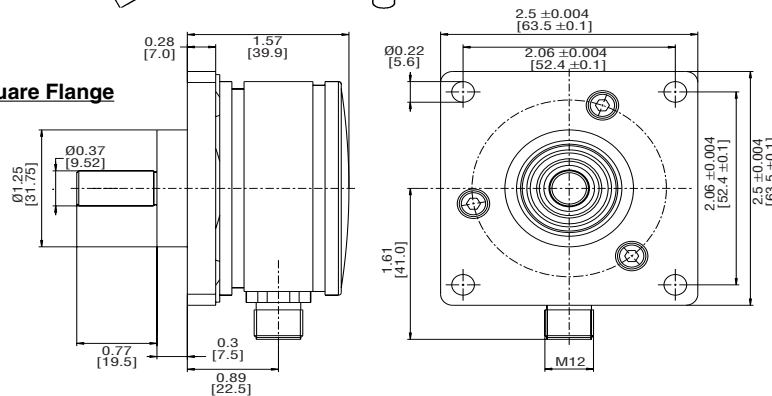
Code 1: Model	Code 2: Resolution	Code 3: Voltage	Code 4: Mounting	Code 5: Protection	Code 6: Shaft Size	Code 7: Interface	Code 8: Connection	Code 9: Cable Length
Ordering Information								
<b>AR62</b>	<input type="checkbox"/> <input type="checkbox"/> <input type="checkbox"/> <b>1</b> <input type="checkbox"/> <input type="checkbox"/> <b>2</b>	<input type="checkbox"/>	<input type="checkbox"/>	<input type="checkbox"/>	<input type="checkbox"/>	<input type="checkbox"/> <input type="checkbox"/>	<input type="checkbox"/>	<input type="checkbox"/> <input type="checkbox"/>
<b>AR62</b> Aluminum	<b>0012</b> 12 bit single-turn	<b>A</b> 5 VDC <b>E</b> 10-30VDC	<b>L</b> Synchro, Clamping <b>Q</b> Square Flange	<b>7</b> IP67 <b>9</b> IP69k	<b>2</b> 10mm "2" is available only when Code 4 is L <b>6</b> 3/8" "6" is available only when Code 4 is Q	<b>BI</b> BiSS <b>SG</b> SSI-Gray <b>SB</b> SSI-Binary <b>OL</b> CAN Open  Available only when Code 2 is 0012, 1212, or 1612 <b>AV</b> Analog, 0-10V <b>A4</b> Analog, 4-20mA	<b>B</b> Radial Cable  Available when Code 1 is AR62 and code 5 is 7 <b>8</b> M12 radial connector, 8-pin	<b>Blank</b> 1.5m <b>DO</b> 3m <b>FO</b> 5m <b>KO</b> 10m <b>PO</b> 15m <b>UO</b> 20m <b>VO</b> 25m <b>WO</b> 30m <b>XO</b> 40m <b>YO</b> 50m
<b>AR63</b> Stainless	<b>1212</b> 12 bit single turn, 12 bit multi-turn <b>1312</b> 12 bit single turn, 13 bit multi-turn <b>1612</b> 12 bit single turn, 16 bit multi-turn	"F" is available only when Code 7 is AV or A4 <b>F</b> 17-30VDC						

## DIMENSIONS inch [mm]

### Synchro Clamping



### Square Flange



### Satellite Locations:

North America: North Carolina, South Carolina, Connecticut, Massachusetts, New York, Canada, St. Kitts • Europe: United Kingdom, Italy, France, Germany, Spain, Slovakia  
• Latin America: Brazil • Asia: China, Japan, Korea, Singapore

Headquarters: 1675 Delany Road • Gurnee, IL 60031-1282 • USA  
Phone: +1 847.662.2666 • Fax: +1 847.662.6633



[www.dynapar.com](http://www.dynapar.com)

### Customer Service:

Tel.: +1.800.873.8731  
Fax: +1.847.662.4150  
custserv@dynapar.com

### Technical Support

Tel.: +1.800.234.8731  
Fax: +1.847.782.5277  
northstar.techsupport@dynapar.com

Worldwide Brands: NorthStar™ • Acuro™ • Dynapar™ • Hengstler™ • Harowe™