

Amphenol® GT Series Reversed Bayonet Coupling Connectors

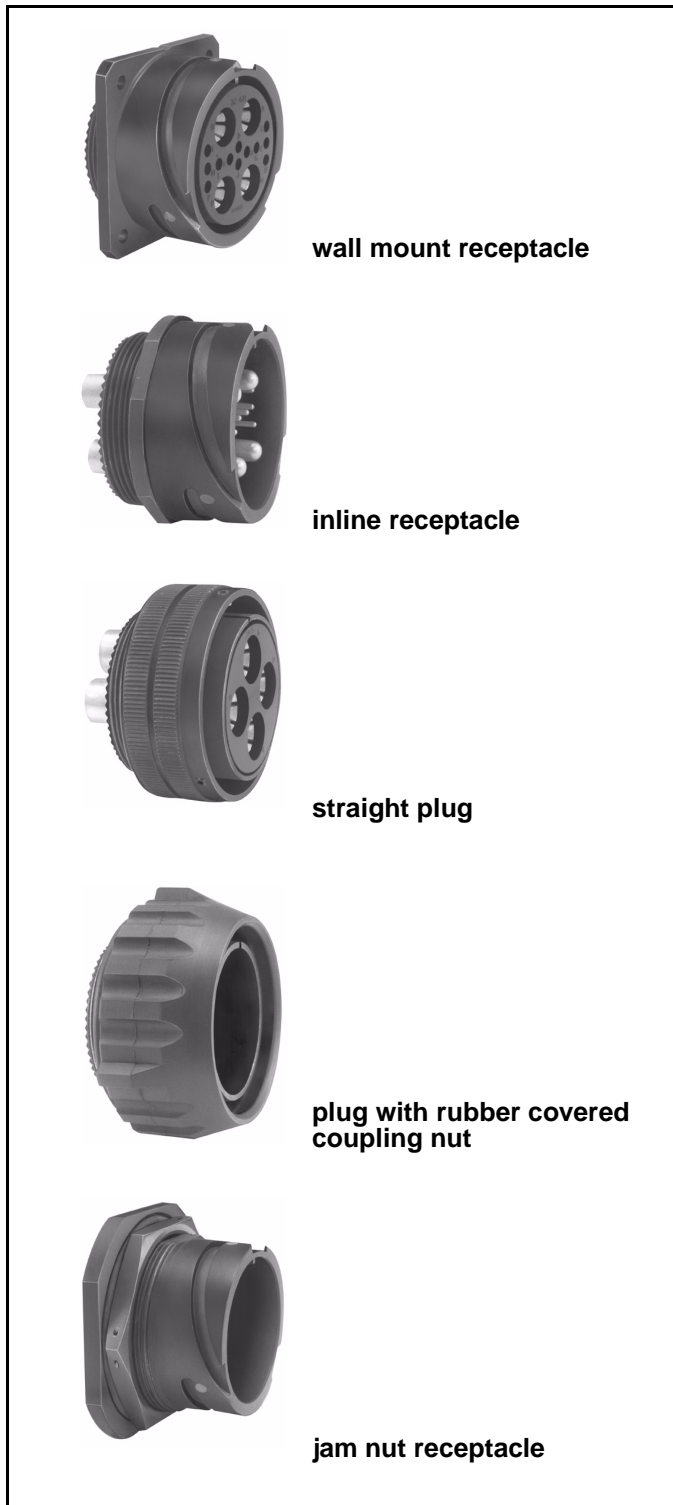
12-024-4



Amphenol

| Table of Contents | Page No. |
|--|-----------------|
| Amphenol® GT Series Reversed Bayonet Coupling Connectors | |
| General Description | . 1 |
| MS/Standard insert availability charts | . 2, 3 |
| Special insert availability chart | . 4 |
| MS/Standard insert alternate positioning | . 5 |
| MS/Standard contact arrangements | . 6-17 |
| Special contact arrangements | 18-26 |
| Thermocouple contact availability | . 27 |
| Thermocouple contact arrangements | 28-31 |
| GT Connector Classes | 32 |
| GT00A wall mount receptacle for front panel mounting | 33 |
| GT00AF/00F wall mount receptacle for front panel mounting | 34 |
| GT00CF/00CFZ wall mount receptacle for front panel mounting | 35 |
| GT00G wall mount receptacle for front panel mounting | 36 |
| GT00LCF/00LCFZ wall mount receptacle for front panel mounting | 37 |
| GT00R wall mount receptacle for front panel mounting | 38 |
| GT00RV wall mount receptacle for front panel mounting | 39 |
| GT01A inline receptacle | 40 |
| GT01AF/01F inline receptacle | 41 |
| GT01G inline receptacle | 42 |
| GT01LCF/01LCFZ inline receptacle | 43 |
| GT01R inline receptacle | 44 |
| GT01RV inline receptacle | 45 |
| GT02R/02RFS box mount receptacle for front panel mounting | 46 |
| GT020R/020RFSM box mount receptacle for front panel mounting | 47 |
| GT030 square flange receptacle for rear panel mounting | 48 |
| GT030A square flange receptacle for rear panel mounting | 49 |
| GT030AF/030F square flange receptacle for rear panel mounting | 50 |
| GT030G square flange receptacle for rear panel mounting | 51 |
| GT030R square flange receptacle for rear panel mounting | 52 |
| GT030RV square flange receptacle for rear panel mounting | 53 |
| GT06A straight plug | 54 |
| GT06AF/06F straight plug | 55 |
| GT06CF straight plug | 56 |
| GT06CFGG straight plug | 57 |
| GT06G straight plug | 58 |
| GT06LC straight plug | 59 |
| GT06LCF/06LCFZ straight plug | 60 |
| GT06PP/064PP panel plug | 61 |
| GT06R straight plug | 62 |
| GT06RV straight plug | 63 |
| GT065SL straight plug | 64 |
| GT07R jam nut receptacle | 65 |
| GT070 jam nut receptacle | 66 |
| GT08A 90° angle plug | 67 |
| GT08AF/08F 90° angle plug | 68 |
| GT08CFGG 90° angle plug | 69 |
| GT08R 90° angle plug | 70 |
| GT05 dummy receptacle | 71 |
| GTTB thru-bulkhead receptacles | 72 |
| Sealing gaskets | 73 |
| Receptacle protection caps | 74 |
| Plug protection caps | 75 |
| M85049/41 (MS3057-A) cable clamp | 76 |
| MS3420 bushing | 77 |
| M85049/2 (MS3057-C) cable clamp | 78 |
| Rear mounting data - receptacles, sealing plugs, sealing ranges, backshell torque forces | 79 |
| Solder and crimp contact information | 80, 81 |
| MS/Standard application tools | 82 |
| How to order, connector intermateability | 83 |
| Special Application GT Connectors: | |
| GT-PC Connectors for high voltage power applications | |
| GT Connectors for the HMI lighting industry | 84 |
| Sales office listing | |

Amphenol® GT Connectors



Amphenol® GT reverse bayonet coupling connectors with MIL-C-5015 insert patterns features:

- Quick positive coupling
- Audible, tactile and visual indication of full coupling
- Waterproof
- No lockwiring required
- High shock and vibration capabilities
- Inserts available in Neoprene and Viton* materials
- Low smoke/flame retardant inserts also available
- Operating temperature range:
With Neoprene inserts: -55°C to $+125^{\circ}\text{C}$
With Viton** inserts: -50°C to $+200^{\circ}\text{C}$
With low smoke/flame retardant inserts: -55°C to $+125^{\circ}\text{C}$
- Available in both crimp and solder terminations
- Contacts available in gold and silver plating
- Thermocouple contacts available
- Numerous military and commercial finishes available
- Zinc alloy plating (cadmium free) available
- Rugged construction; aluminum or stainless steel components
- Available with resilient cover coupling for added damage protection and increased gripping surface
- Intermateable with existing VG95234 connectors
- 2000 couplings minimum

Amphenol® GT Connectors feature a quick mating bayonet coupling with an audible, tactile and visual full mating feature. Designed originally for use by the military, the heavy duty GT connector has become widely used in commercial, geophysical, aerospace, ground support and ship-board applications.

See page 84 for Amphenol's newest offerings of GT Series connectors - the GT-PC for high voltage power applications and GT connectors with color-coded receptacles and backshells for the HMI lighting industry.

For further information on your individual application requirements, contact:

Amphenol Corporation
Amphenol Aerospace
40-60 Delaware Avenue
Sidney, New York 13838-1395
Phone: 607-563-5011 Fax: 607-563-5351

NOTE:

The connector products in this brochure were formerly known as Bendix® products. These products are now manufactured and sold under the Amphenol® brand name. The name "Amphenol" will replace the name "Bendix" on products and literature in the future.

1 ** For availability of Viton inserts consult Amphenol, Sidney, NY. Viton is a registered trademark of Dupont/Dow Corning.

MS/Standard insert availability

| Insert Arrangement | Service Rating | Total Contacts | Contact Size | | | | |
|--------------------|----------------|----------------|--------------|---|---|----|----|
| | | | 0 | 4 | 8 | 12 | 16 |
| 8S-1 | A | 1 | | | | | 1 |
| 10S-2 | A | 1 | | | | | 1 |
| 10SL-3 | A | 3 | | | | | 3 |
| 10SL-4† | A | 2 | | | | | 2 |
| 12S-3 | A | 2 | | | | | 2 |
| 12S-4 | D | 1 | | | | | 1 |
| 12-5 | D | 1 | | | | 1 | |
| 14S-2 | Inst. | 4 | | | | | 4 |
| 14S-4 | D | 1 | | | | | 1 |
| 14S-5 | Inst. | 5 | | | | | 5 |
| 14S-6 | Inst. | 6 | | | | | 6 |
| 14S-7 | A | 3 | | | | | 3 |
| 14S-9 | A | 2 | | | | | 2 |
| 14S-10 | Inst. | 4 | | | | | 4 |
| 14S-12 | A | 3 | | | | | 3 |
| 14-3 | A | 1 | | | 1 | | |
| 16S-1 | A | 7 | | | | | 7 |
| 16S-3 | B | 1 | | | | | 1 |
| 16S-4 | D | 2 | | | | | 2 |
| 16S-5 | A | 3 | | | | | 3 |
| 16S-6 | A | 3 | | | | | 3 |
| 16S-8 | A | 5 | | | | | 5 |
| 16-2 | E | 1 | | | | 1 | |
| 16-7 | A | 3 | | | 1 | | 2 |
| 16-9 | A | 4 | | | | 2 | 2 |
| 16-10 | A | 3 | | | | 3 | |
| 16-11 | A | 2 | | | | 2 | |
| 16-12 | A | 1 | | 1 | | | |
| 16-13 | A | 2 | | | | 2 | |
| 18-1 | A/Inst. | 10 | | | | | 10 |
| 18-3 | D | 2 | | | | 2 | |
| 18-4 | D | 4 | | | | | 4 |
| 18-5 | D | 3 | | | | 2 | 1 |
| 18-6 | D | 1 | | 1 | | | |
| 18-7 | B | 1 | | | 1 | | |
| 18-8 | A | 8 | | | | 1 | 7 |
| 18-9 | Inst. | 7 | | | | 2 | 5 |
| 18-10 | A | 4 | | | | 4 | |
| 18-11 | A | 5 | | | | 5 | |
| 18-12 | A | 6 | | | | | 6 |
| 18-13 | A | 4 | | | 1 | 3 | |
| 18-14 | A | 2 | | 1 | | | 1 |
| 18-15 | A | 4 | | | | 4 | |
| 18-16 | C | 1 | | | | 1 | |
| 18-17 | Inst. | 7 | | | | 2 | 5 |
| 18-19 | A | 10 | | | | | 10 |
| 18-20 | A | 5 | | | | | 5 |
| 18-22 | D | 3 | | | | | 3 |
| 18-24 | A/Inst. | 10 | | | | | 10 |
| 18-29 | A | 5 | | | | | 5 |
| 18-30 | A | 5 | | | | | 5 |

| Insert Arrangement | Service Rating | Total Contacts | Contact Size | | | | |
|--------------------|----------------|----------------|--------------|---|---|----|----|
| | | | 0 | 4 | 8 | 12 | 16 |
| 18-31 | A | 5 | | | | | 5 |
| 20-2 | D | 1 | 1 | | | | |
| 20-3 | D | 3 | | | | 3 | |
| 20-4 | D | 4 | | | | 4 | |
| 20-6 | D | 3 | | | | | 3 |
| 20-7 | D/A | 8 | | | | | 8 |
| 20-8 | Inst. | 6 | | | 2 | | 4 |
| 20-9 | D/A | 8 | | | | 1 | 7 |
| 20-11 | Inst. | 13 | | | | | 13 |
| 20-12 | A | 2 | | 1 | | | 1 |
| 20-14 | A | 5 | | | 2 | 3 | |
| 20-15 | A | 7 | | | | 7 | |
| 20-16 | A | 9 | | | | 2 | 7 |
| 20-17 | A | 6 | | | | 5 | 1 |
| 20-18 | A | 9 | | | | 3 | 6 |
| 20-19 | A | 3 | | | 3 | | |
| 20-20 | A | 4 | | 1 | | 3 | |
| 20-21 | A | 9 | | | | 1 | 8 |
| 20-22 | A | 6 | | | 3 | | 3 |
| 20-23 | A | 2 | | | 2 | | |
| 20-24 | A | 4 | | | 2 | | 2 |
| 20-25 | Inst. | 13 | | | | | 13 |
| 20-27 | A | 14 | | | | | 14 |
| 20-29 | A | 17 | | | | | 17 |
| 20-30 | Inst. | 13 | | | | | 13 |
| 20-33 | A | 11 | | | | | 11 |
| 22-1 | D | 2 | | | 2 | | |
| 22-2 | D | 3 | | | 3 | | |
| 22-4 | A | 4 | | | 2 | 2 | |
| 22-5 | D | 6 | | | | 2 | 4 |
| 22-6 | D | 3 | | | 2 | | 1 |
| 22-7 | E | 1 | 1 | | | | |
| 22-8 | E | 2 | | | | 2 | |
| 22-9 | E | 3 | | | | 3 | |
| 22-10 | E | 4 | | | | | 4 |
| 22-11 | B | 2 | | | | | 2 |
| 22-12 | D | 5 | | | 2 | | 3 |
| 22-13 | D/A | 5 | | | | 4 | 1 |
| 22-14 | A | 19 | | | | | 19 |
| 22-15 | E/A | 6 | | | | 5 | 1 |
| 22-16 | A | 9 | | | | 3 | 6 |
| 22-17 | D/A | 9 | | | | 1 | 8 |
| 22-18 | D/A | 8 | | | | | 8 |
| 22-19 | A | 14 | | | | | 14 |
| 22-20 | A | 9 | | | | | 9 |
| 22-21 | A | 3 | 1 | | | | 2 |
| 22-22 | A | 4 | | | 4 | | |
| 22-23 | D/A | 8 | | | | 8 | |
| 22-24 | D/A | 6 | | | | 2 | 4 |
| 22-27 | D/A | 9 | | | 1 | | 8 |
| 22-28 | A | 7 | | | | 7 | |

† 10SL-4 arrangement available only with pin contacts in receptacle and socket contacts in plug

MS/Standard

insert availability, cont.

| Insert Arrangement | Service Rating | Total Contacts | Contact Size | | | | |
|--------------------|----------------|----------------|--------------|---|---|----|----|
| | | | 0 | 4 | 8 | 12 | 16 |
| 22-33 | D/A | 7 | | | | | 7 |
| 22-34 | D | 5 | | | | 3 | 2 |
| 24-2 | D | 7 | | | | 7 | |
| 24-3 | D | 7 | | | | 2 | 5 |
| 24-5 | A | 16 | | | | | 16 |
| 24-6 | D/A | 8 | | | | 8 | |
| 24-7 | A | 16 | | | | 2 | 14 |
| 24-9 | A | 2 | | 2 | | | |
| 24-10 | A | 7 | | | 7 | | |
| 24-11 | A | 9 | | | 3 | 6 | |
| 24-12 | A | 5 | | 2 | | 3 | |
| 24-16 | D/A | 7 | | | 1 | 3 | 3 |
| 24-17 | D | 5 | | | | 2 | 3 |
| 24-20 | D | 11 | | | | 2 | 9 |
| 24-21 | D | 10 | | | 1 | | 9 |
| 24-22 | D | 4 | | | 4 | | |
| 24-27 | E | 7 | | | | | 7 |
| 24-28 | Inst. | 24 | | | | | 24 |
| 28-1 | D/A | 9 | | | 3 | 6 | |
| 28-2 | D | 14 | | | | 2 | 12 |
| 28-3 | E | 3 | | | 3 | | |
| 28-4 | E/D | 9 | | | | 2 | 7 |
| 28-5 | D | 5 | | 2 | | 1 | 2 |
| 28-6 | D | 3 | | 3 | | | |
| 28-7 | D | 2 | | 2 | | | |
| 28-8 | E/D/A | 12 | | | | 2 | 10 |
| 28-9 | D | 12 | | | | 6 | 6 |
| 28-10 | D/A | 7 | | 2 | 2 | 3 | |
| 28-11 | A | 22 | | | | 4 | 18 |
| 28-12 | A | 26 | | | | | 26 |
| 28-13 | A | 26 | | | | | 26 |
| 28-15 | A | 35 | | | | | 35 |
| 28-16 | A | 20 | | | | | 20 |
| 28-17 | B/D/A | 15 | | | | | 15 |
| 28-18 | C/D/A/Inst. | 12 | | | | | 12 |
| 28-19 | B/D/A | 10 | | | | 4 | 6 |
| 28-20 | A | 14 | | | | 10 | 4 |
| 28-21 | A | 37 | | | | | 37 |
| 28-22 | D | 6 | | 3 | | | 3 |

| Insert Arrangement | Service Rating | Total Contacts | Contact Size | | | | |
|--------------------|----------------|----------------|--------------|---|---|----|----|
| | | | 0 | 4 | 8 | 12 | 16 |
| 32-1 | E/D | 5 | 2 | | | 3 | |
| 32-2 | E | 5 | | 3 | | | 2 |
| 32-3 | D | 9 | 1 | 2 | | 2 | 4 |
| 32-4 | A/D | 14 | | | | 2 | 12 |
| 32-5 | D | 2 | 2 | | | | |
| 32-6 | A | 23 | | 2 | 3 | 2 | 16 |
| 32-7 | Inst./A | 35 | | | | 7 | 28 |
| 32-8 | A | 30 | | | | 6 | 24 |
| 32-9 | D | 14 | | 2 | | | 12 |
| 32-10 | E/B/D/A | 7 | | 2 | 2 | | 3 |
| 32-12 | A/D | 15 | | | | 5 | 10 |
| 32-13 | D | 23 | | | | 5 | 18 |
| 32-15 | D | 8 | 2 | | | 6 | |
| 32-16 | A | 23 | | 2 | 3 | 2 | 16 |
| 32-17 | D | 4 | | 4 | | | |
| 32-22 | A | 54 | | | | | 54 |
| 32-31 | A | 31 | | | | | 31 |
| 36-1 | D | 22 | | | | 4 | 18 |
| 36-3 | D | 6 | 3 | | | 3 | |
| 36-4 | D/A | 3 | 3 | | | | |
| 36-5 | A | 4 | 4 | | | | |
| 36-6 | A | 6 | 2 | 4 | | | |
| 36-7 | A | 47 | | | | 7 | 40 |
| 36-8 | A | 47 | | | | 1 | 46 |
| 36-9 | A | 31 | | 1 | 2 | 14 | 14 |
| 36-10 | A | 48 | | | | | 48 |
| 36-11 | A | 48 | | | | | 48 |
| 36-12 | A | 48 | | | | | 48 |
| 36-13 | E/A | 17 | | | | 2 | 15 |
| 36-14 | D | 16 | | | 5 | 5 | 6 |
| 36-15 | D/A | 35 | | | | | 35 |
| 36-16 | A | 47 | | | | 7 | 40 |
| 36-17 | A | 47 | | | | 7 | 40 |
| 36-18 | A | 31 | | 1 | 2 | 14 | 14 |
| 36-20 | A | 34 | | | 2 | 2 | 30 |
| 36-52 | A | 52 | | | | | 52 |
| 40-1 | D | 30 | | | | 6 | 24 |
| 40-9 | A | 47 | | | 1 | 22 | 24 |
| 40-56 | A | 85 | | | | | 85 |

Special insert availability

| Insert Arrangement | Service Rating | Total Contacts | Contact Size | | | | | | | | | | | |
|--------------------|----------------|----------------|--------------|---|----|----|----|--------|---|---|----|----|--|--|
| | | | 0 | 4 | 8 | 12 | 16 | Coax** | | | | | | |
| | | | | | | | | 0 | 4 | 8 | 12 | | | |
| 14-A7 | A | 7 | | | | | 7 | | | | | | | |
| 16-59 | A | 4 | | | | 4 | | | | | | | | |
| 20-51 | A | 3 | | | 3 | | | | | | | | | |
| 20-57 | A | 7 | | | | 7* | | | | | | | | |
| 20-58 | A | 10 | | | | 5 | 5 | | | | | | | |
| 20-59 | A | 3 | | | 3* | | | | | | | | | |
| 20-66 | A | 6 | | | | 5* | 1 | | | | | | | |
| 20-79 | A/D | 8 | | | | 1 | 7 | | | | | | | |
| 22-63 | A | 12 | | | | 4 | 8 | | | | | | | |
| 22-65 | A/D | 8 | | | | 8* | | | | | | | | |
| 22-70 | A | 13 | | | | 8 | 5 | | | | | | | |
| 22-80 | A | 3 | | | 3* | | | | | | | | | |
| 24-51 | A | 5 | | | 5 | | | | | | | | | |
| 24-52 | Hi Volt. | 1 | | | | 1 | | | | | | | | |
| 24-53 | A | 5 | | | 5 | | | | | | | | | |
| 24-58 | A | 13 | | | 3 | 3 | 7 | | | | | | | |
| 24-59 | A | 14 | | | | 7 | 7 | | | | | | | |
| 24-60 | A | 7 | | | 7* | | | | | | | | | |
| 24-65 | A | 15 | | | | 11 | 4 | | | | | | | |
| 24-66 | D | 7 | | | | 7 | | | | | | | | |
| 24-67 | Inst. | 19 | | | | 19 | | | | | | | | |
| 24-71 | A | 7 | | | 7* | | | | | | | | | |
| 24-75 | A | 7 | | | 7* | | | | | | | | | |
| 24-79 | A | 5 | | | 5 | | | | | | | | | |
| 24-80 | Inst. | 23 | | | | | 23 | | | | | | | |
| 24-84 | A | 19 | | | | 1 | | | | | | 18 | | |
| 24-96 | Inst. | 28 | | | | | 28 | | | | | | | |
| 24-AJ | A | 25 | | | | | 25 | | | | | | | |
| 28-51 | A | 12 | | | | 12 | | | | | | | | |
| 28-59 | A | 17 | | | | 7 | 10 | | | | | | | |
| 28-66 | A | 16 | | | 2 | 14 | | | | | | | | |
| 28-72 | Coax | 3 | | | | | | | 3 | | | | | |
| 28-74 | A | 16 | | | 7* | | 9 | | | | | | | |
| 28-75 | A | 16 | | | 7* | | 9 | | | | | | | |
| 28-79 | A | 16 | | | 7 | | 9 | | | | | | | |
| 28-82 | D | 6 | | | 2 | 4 | | | | | | | | |
| 28-84 | A | 9 | | | 9 | | | | | | | | | |
| 28-AY | A | 9 | | 4 | | | 5 | | | | | | | |
| 32-25 | A | 25 | | | | 25 | | | | | | | | |
| 32-52 | D | 8 | 2 | | | 6 | | | | | | | | |
| 32-53 | Inst./E | 42 | | | | 5 | 37 | | | | | | | |
| 32-56 | A | 30 | | | | 6* | 24 | | | | | | | |
| 32-57 | Coax | 8 | | | | 6 | | 2 | | | | | | |
| 32-58 | Coax | 4 | | | | | | | 4 | | | | | |
| 32-60 | A | 23 | | | | | 15 | | | | 8 | | | |
| 32-62 | Coax | 23 | | 2 | 1 | 2 | 16 | | | 2 | | | | |
| 32-64 | Inst. | 54 | | | | | 54 | | | | | | | |
| 32-68 | A | 16 | | | | | 12 | | 4 | | | | | |

| Insert Arrangement | Service Rating | Total Contacts | Contact Size | | | | | | | | | | | |
|--------------------|----------------|----------------|--------------|----|----|-----|----|--------|---|-----|----|----|--|--|
| | | | 0 | 4 | 8 | 12 | 16 | Coax** | | | | | | |
| | | | | | | | | 0 | 4 | 8 | 12 | | | |
| 32-73 | A | 46 | | | | | 46 | | | | | | | |
| 32-75 | Coax | 9 | | | | 2 | | | | | | 7 | | |
| 32-76 | A | 19 | | | | 19 | | | | | | | | |
| 32-79 | D | 5 | | 4 | 1 | | | | | | | | | |
| 32-82 | A | 16 | | 4 | | | | | | 12 | | | | |
| 32-AF | A | 55 | | | | | | | | 55 | | | | |
| 36-51 | D | 4 | 2 | 2 | | | | | | | | | | |
| 36-54 | A | 39 | | | 8 | | | | | 31 | | | | |
| 36-55 | A | 39 | | | 8* | | | | | 31 | | | | |
| 36-59 | A | 53 | | | | 3* | 50 | | | | | | | |
| 36-60 | A | 47 | | | | 7* | 40 | | | | | | | |
| 36-64 | Coax | 4 | | | | | | | | 4 | | | | |
| 36-65 | Coax | 4 | | | | | | | | 4 | | | | |
| 36-71 | A | 53 | | | | 3 | 50 | | | | | | | |
| 36-73 | Coax | 7 | | | | | | | | | 7 | | | |
| 36-74 | A | 44 | | | | | | | | 43 | | 1 | | |
| 36-75 | A | 48 | | | | | | | | 48* | | | | |
| 36-76 | A | 47 | | | | | | | | 47 | | | | |
| 36-77 | D | 7 | | 7 | | | | | | | | | | |
| 36-78 | A | 14 | | | 12 | | | | | 2 | | | | |
| 36-79 | A | 20 | | | | 20 | | | | | | | | |
| 36-80 | A | 20 | | | | 20* | | | | | | | | |
| 36-83 | Coax | 7 | | | | | | | | | 7 | | | |
| 36-85 | A/D | 35 | | | | | | | | 35* | | | | |
| 36-AF | A | 48 | | | | | | | | 48 | | | | |
| 40-5 | A | 5 | 5 | | | | | | | | | | | |
| 40-10 | A | 29 | | 4 | 9 | | | | | 16 | | | | |
| 40-35 | D | 35 | | | | 35 | | | | | | | | |
| 40-53 | A | 60 | | | | | | | | 60 | | | | |
| 40-57 | E | 4 | 4 | | | | | | | | | | | |
| 40-61 | A | 59 | | | 1 | 3 | 55 | | | | | | | |
| 40-62 | A | 60 | | | | | | | | 60 | | | | |
| 40-63 | A | 61 | | | | | | | | 61* | | | | |
| 40-64 | Coax | 36 | | | | 3 | 20 | | | | | 13 | | |
| 40-66 | Coax | 4 | | | | | | | | 4 | | | | |
| 40-67 | A | 11 | | | | | | | | 1 | 10 | | | |
| 40-68 | A | 21 | | | 21 | | | | | | | | | |
| 40-70 | A | 61 | | | | | | | | 61 | | | | |
| 40-72 | A | 11 | | | | | | | | 1 | 10 | | | |
| 40-73 | A | 61 | | | | | | | | 61 | | | | |
| 40-74 | A | 6 | | | | 1 | | | | 4 | 1 | | | |
| 40-75 | E | 5 | 4 | | | 1 | | | | | | | | |
| 40-80 | A | 11 | | 10 | | | | | | 1 | | | | |
| 40-81 | A | 62 | | | | | | | | 62* | | | | |
| 40-82 | A | 62 | | | | | | | | 62 | | | | |
| 40-85 | A | 60 | | | | | | | | 60* | | | | |
| 40-86 | E | 4 | | | | | | | | 4 | | | | |
| 40-87 | D | 7 | | 7 | | | | | | | | | | |
| 40-AG | A | 38 | | | | | | | | 38 | | | | |

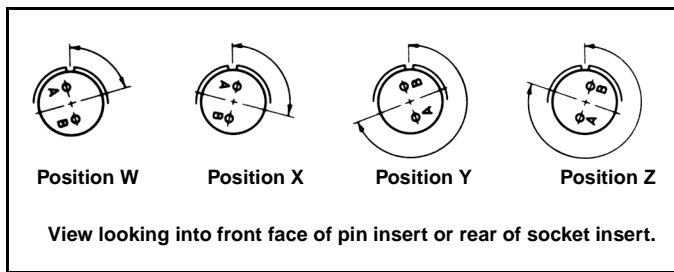
* Crimp contacts accommodate wire the same size as the contact as well as wire of the next smaller, even size. Arrangements identified with an asterisk (*) are exceptions. See insert arrangement drawings on pages 18-26 for application wire size.

** Coaxial cable data can be found on insert arrangement drawings, pages 18-26. For further information on coaxial contacts and cable see catalog 12-130.

MS/Standard insert alternate positioning

To avoid cross-plugging problems in applications requiring the use of more than one connector of the same size and arrangement, alternate rotations are available as indicated in the accompanying charts.

As shown in the diagram below, the front face of the pin insert is rotated within the shell in a clockwise direction from the normal shell key. The socket insert would be rotated counter-clockwise the same number of degrees in respect to the normal shell key.



The following insert arrangements have the same alternate insert rotations for W, X, Y and Z, which are:

| Degrees | | | |
|---------|-----|-----|-----|
| W | X | Y | Z |
| 80 | 110 | 250 | 280 |

| | | | | | | |
|-------|-------|-------|-------|-------|-------|-------|
| 16-7 | 20-16 | 22-18 | 24-4 | 24-28 | 28-17 | 32-12 |
| 18-5 | 20-20 | 22-19 | 24-5 | 28-1 | 28-19 | 32-13 |
| 18-9 | 20-22 | 22-21 | 24-6 | 28-4 | 28-20 | 32-22 |
| 18-13 | 22-3 | 22-24 | 24-7 | 28-8 | 28-21 | 32-AF |
| 18-14 | 22-6 | 22-25 | 24-12 | 28-9 | 32-1 | 36-1 |
| 20-7 | 22-12 | 22-29 | 24-14 | 28-10 | 32-3 | 36-7 |
| 20-8 | 22-14 | 22-33 | 24-16 | 28-11 | 32-4 | 36-8 |
| 20-9 | 22-15 | 22-34 | 24-17 | 28-14 | 32-6 | 36-13 |
| 20-12 | 22-16 | 24-1 | 24-20 | 28-15 | 32-9 | |
| 20-14 | 22-17 | 24-3 | 24-21 | 28-16 | 32-10 | |

| Insert Arrangement | Degrees | | | |
|--------------------|---------|-----|-----|-----|
| | W | X | Y | Z |
| 10SL-4 | 63 | - | - | - |
| 12S-3 | 70 | 145 | 215 | 290 |
| 14S-2 | - | 120 | 240 | - |
| 14S-5 | - | 110 | - | - |
| 14S-7 | 90 | 180 | 270 | - |
| 14S-9 | 70 | 145 | 215 | 290 |
| 16-9 | 35 | 110 | 250 | 325 |
| 16-10 | 90 | 180 | 270 | - |
| 16-11 | 35 | 110 | 250 | 325 |
| 16-13 | 35 | 110 | 250 | 325 |
| 16S-1 | 80 | - | - | 280 |
| 16S-4 | 35 | 110 | 250 | 325 |
| 16S-5 | 70 | 145 | 215 | 290 |
| 16S-6 | 90 | 180 | 270 | - |
| 16S-8 | - | 170 | 265 | - |
| 18-1 | 70 | 145 | 215 | 290 |
| 18-3 | 35 | 110 | 250 | 325 |
| 18-4 | 35 | 110 | 250 | 325 |
| 18-8 | 70 | - | - | 290 |
| 18-10 | - | 120 | 240 | - |
| 18-11 | - | 170 | 265 | - |
| 18-12 | 80 | - | - | 280 |
| 18-15 | - | 120 | 240 | - |
| 18-20 | 90 | 180 | 270 | - |
| 18-22 | 70 | 145 | 215 | 290 |
| 18-29 | 90 | 180 | 270 | - |
| 20-3 | 70 | 145 | 215 | 290 |
| 20-4 | 45 | 110 | 250 | - |
| 20-5 | 35 | 110 | 250 | 325 |
| 20-6 | 70 | 145 | 215 | 290 |
| 20-15 | 80 | - | - | 280 |

| Insert Arrangement | Degrees | | | |
|--------------------|---------|-----|-----|-----|
| | W | X | Y | Z |
| 20-17 | 90 | 180 | 270 | - |
| 20-18 | 35 | 110 | 250 | 325 |
| 20-19 | 90 | 180 | 270 | - |
| 20-21 | 35 | 110 | 250 | 325 |
| 20-23 | 35 | 110 | 250 | 325 |
| 20-24 | 35 | 110 | 250 | 325 |
| 20-27 | 35 | 110 | 250 | 325 |
| 20-29 | 80 | - | - | 280 |
| 22-1 | 35 | 110 | 250 | 325 |
| 22-2 | 70 | 145 | 215 | 290 |
| 22-4 | 35 | 110 | 250 | 325 |
| 22-5 | 35 | 110 | 250 | 325 |
| 22-8 | 35 | 110 | 250 | 325 |
| 22-9 | 70 | 145 | 215 | 290 |
| 22-10 | 35 | 110 | 250 | 325 |
| 22-11 | 35 | 110 | 250 | 325 |
| 22-13 | 35 | 110 | 250 | 325 |
| 22-20 | 35 | 110 | 250 | 325 |
| 22-22 | - | 110 | 250 | - |
| 22-23 | 35 | - | 250 | - |
| 22-27 | 80 | - | 250 | 280 |
| 22-28 | 80 | - | - | 280 |
| 24-2 | 80 | - | - | 280 |
| 24-9 | 35 | 110 | 250 | 325 |
| 24-10 | 80 | - | - | 280 |
| 24-11 | 35 | 110 | 250 | 325 |
| 24-22 | 45 | 110 | 250 | - |
| 24-27 | 80 | - | - | 280 |
| 28-2 | 35 | 110 | 250 | 325 |
| 28-3 | 70 | 145 | 215 | 290 |
| 28-5 | 35 | 110 | 250 | 325 |

| Insert Arrangement | Degrees | | | |
|--------------------|---------|-----|-----|-----|
| | W | X | Y | Z |
| 28-6 | 70 | 145 | 215 | 290 |
| 28-7 | 35 | 110 | 250 | 325 |
| 28-12 | 90 | 180 | 270 | - |
| 28-18 | 70 | 145 | 215 | 290 |
| 28-22 | 70 | 145 | 215 | 290 |
| 28-AY | 45 | 110 | 250 | - |
| 32-2 | 70 | 145 | 215 | 290 |
| 32-5 | 35 | 110 | 250 | 325 |
| 32-7 | 80 | 125 | 235 | 280 |
| 32-8 | 80 | 125 | 235 | 280 |
| 32-15 | 35 | 110 | 250 | 280 |
| 32-17 | 45 | 110 | 250 | - |
| 32-25 | 60 | 120 | - | - |
| 32-64* | 80 | 100 | 110 | 250 |
| 32-68 | 30 | - | - | - |
| 32-82 | 30 | - | - | - |
| 36-3 | 70 | 145 | 215 | 290 |
| 36-4 | 70 | 145 | 215 | 290 |
| 36-5 | - | 120 | 240 | - |
| 36-6 | 35 | 110 | 250 | 325 |
| 36-9 | 80 | 125 | 235 | 280 |
| 36-10 | 80 | 125 | 235 | 280 |
| 36-14 | 90 | 180 | 270 | - |
| 36-15 | 60 | 125 | 245 | 305 |
| 36-AF | 65 | - | - | - |
| 40-1 | 65 | 130 | 235 | 300 |
| 40-5 | 33 | - | - | 270 |
| 40-9 | 65 | 125 | 225 | 310 |
| 40-10 | 65 | 125 | 225 | 310 |
| 40-35 | 70 | 130 | 230 | 290 |
| 40-AG | 37 | 74 | 285 | 322 |

* Additional rotations available; consult Amphenol for information.

MS/Standard contact arrangements

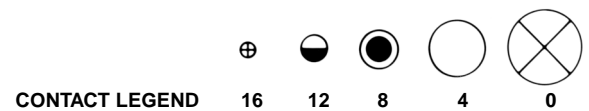
front face of pin insert or rear face of socket insert illustrated

| | | | | | | | |
|---------------------------|-------------|--------------|---------------------------|---------------------------|--------------|--------------|-------------|
| | | | | | | | |
| | | | Front of Socket Insert | Front of Socket Insert | | | |
| Insert Arrangement | 8S-1 | 10S-2 | 10SL-3 | 10SL-4 | 12S-3 | 12S-4 | 12-5 |
| Service Rating | A | A | A | A | A | D | D |
| Number of Contacts | 1 | 1 | 3 | 2 | 2 | 1 | 1 |
| Contact Size | 16 | 16 | 16 | 16 | 16 | 16 | 12 |

| | | | | | | |
|---------------------------|--------------|--------------|--------------|--------------|--------------|--------------|
| | | | | | | |
| Insert Arrangement | 14S-2 | 14S-4 | 14S-5 | 14S-6 | 14S-7 | 14S-9 |
| Service Rating | Inst. | D | Inst. | Inst. | A | A |
| Number of Contacts | 4 | 1 | 5 | 6 | 3 | 2 |
| Contact Size | 16 | 16 | 16 | 16 | 16 | 16 |

| | | | | | | |
|---------------------------|---------------------------|---------------------------|-------------|--------------|--------------|--------------|
| | | | | | | |
| | 100° Rotation of 14S-2 | 100° Rotation of 14S-7 | | | | |
| Insert Arrangement | 14S-10 | 14S-12 | 14-3 | 16S-1 | 16S-3 | 16S-4 |
| Service Rating | Inst. | A | A | A | B | D |
| Number of Contacts | 4 | 3 | 1 | 7 | 1 | 2 |
| Contact Size | 16 | 16 | 8 | 16 | 16 | 16 |

| | | | | | | |
|---------------------------|--------------|--------------|--------------|-------------|-------------|--------------|
| | | | | | | |
| Insert Arrangement | 16S-5 | 16S-6 | 16S-8 | 16-2 | 16-7 | 16-9 |
| Service Rating | A | A | A | E | A | A |
| Number of Contacts | 3 | 3 | 5 | 1 | 1 2 | 2 2 |
| Contact Size | 16 | 16 | 16 | 12 | 8 16 | 12 16 |

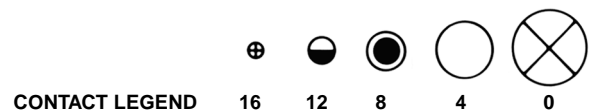


MS/Standard contact arrangements

front face of pin insert or rear face of socket insert illustrated

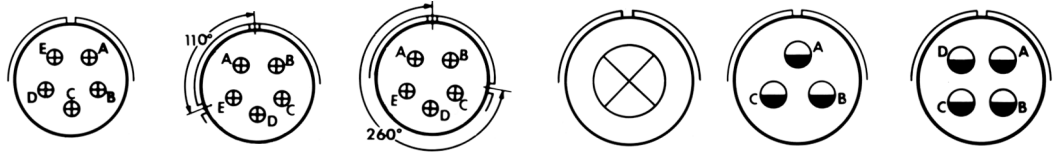
| | | | | | | |
|---------------------------|-------|-------|-------|-------|------------------------------|------------------------------|
| | | | | | | |
| Insert Arrangement | 16-10 | 16-11 | 16-12 | 16-13 | 18-1 | 18-3 |
| Service Rating | A | A | A | A | B, C, F, G = A; Bal. = Inst. | D |
| Number of Contacts | 3 | 2 | 1 | 2* | 10 | 2 |
| Contact Size | 12 | 12 | 4 | 12 | 16 | 12 |
| | | | | | | |
| Insert Arrangement | 18-4 | 18-5 | 18-6 | 18-7 | 18-8 | 18-9 |
| Service Rating | D | D | D | B | A | Inst. |
| Number of Contacts | 4 | 2 1 | 1 | 1 | 1 7 | 2 5 |
| Contact Size | 16 | 12 16 | 4 | 8 | 12 16 | 12 16 |
| | | | | | | |
| Insert Arrangement | 18-10 | 18-11 | 18-12 | 18-13 | 18-14 | 18-15 |
| Service Rating | A | A | A | A | A | A |
| Number of Contacts | 4 | 5 | 6 | 1 3 | 1 1 | 4** |
| Contact Size | 12 | 12 | 16 | 8 12 | 4 16 | 12 |
| | | | | | | |
| Insert Arrangement | 18-16 | 18-17 | 18-19 | 18-20 | 18-22 | 18-24 |
| Service Rating | C | Inst. | A | A | D | B, C, F, G = A; Bal. = Inst. |
| Number of Contacts | 1 | 2 5 | 10 | 5 | 3 | 10 |
| Contact Size | 12 | 12 16 | 16 | 16 | 16 | 16 |

* A = Iron; B = Constantan
** A, C = Iron; B, D = Constantan

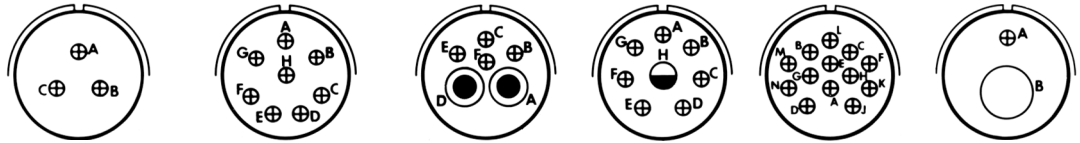


MS/Standard contact arrangements

front face of pin insert or rear face of socket insert illustrated



| | | | | | | |
|--------------------|-------|-------|-------|------|------|------|
| Insert Arrangement | 18-29 | 18-30 | 18-31 | 20-2 | 20-3 | 20-4 |
| Service Rating | A | A | A | D | D | D |
| Number of Contacts | 5 | 5 | 5 | 1 | 3 | 4 |
| Contact Size | 16 | 16 | 16 | 0 | 12 | 12 |



| | | | | | | |
|--------------------|------|--------------------------------|-------|-----------------|-------|-------|
| Insert Arrangement | 20-6 | 20-7 | 20-8 | 20-9 | 20-11 | 20-12 |
| Service Rating | D | A, B, H, G = D; C, D, E, F = A | Inst. | H = D; Bal. = A | Inst. | A |
| Number of Contacts | 3 | 8 | 2 4 | 1 7 | 13 | 1 1 |
| Contact Size | 16 | 16 | 8 16 | 12 16 | 16 | 4 16 |



| | | | | | | |
|--------------------|-------|-------|-------|-------|-------|-------|
| Insert Arrangement | 20-14 | 20-15 | 20-16 | 20-17 | 20-18 | 20-19 |
| Service Rating | A | A | A | A | A | A |
| Number of Contacts | 2 3 | 7 | 2 7 | 5 1 | 3 6 | 3 |
| Contact Size | 8 12 | 12 | 12 16 | 12 16 | 12 16 | 8 |

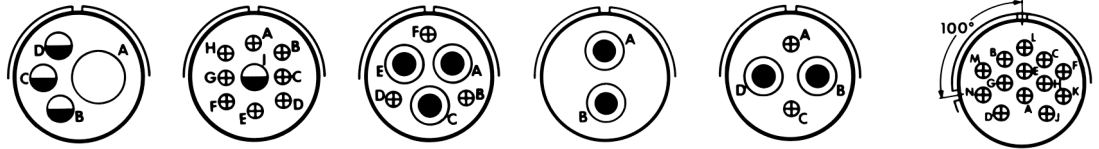


CONTACT LEGEND

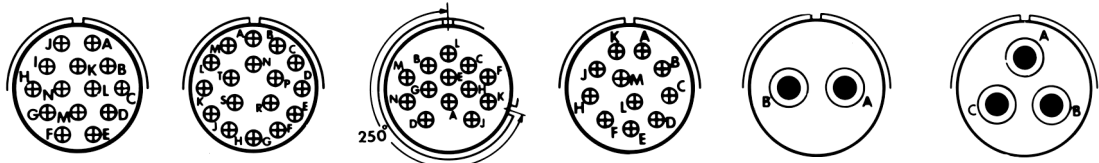
16 12 8 4 0

MS/Standard contact arrangements

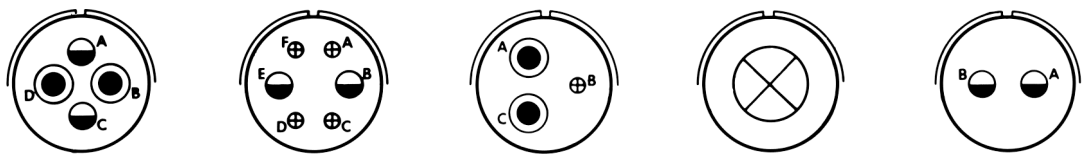
front face of pin insert or rear face of socket insert illustrated



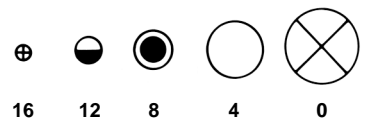
| | | | | | | |
|--------------------|-------|-------|-------|-------|-------|-------|
| Insert Arrangement | 20-20 | 20-21 | 20-22 | 20-23 | 20-24 | 20-25 |
| Service Rating | A | A | A | A | A | Inst. |
| Number of Contacts | 1 3 | 1 8 | 3 3 | 2 | 2 2 | 13 |
| Contact Size | 4 12 | 12 16 | 8 16 | 8 | 8 16 | 16 |



| | | | | | | |
|--------------------|-------|-------|-------|-------|------|------|
| Insert Arrangement | 20-27 | 20-29 | 20-30 | 20-33 | 22-1 | 22-2 |
| Service Rating | A | A | Inst. | A | D | D |
| Number of Contacts | 14 | 17 | 13 | 11 | 2 | 3 |
| Contact Size | 16 | 16 | 16 | 16 | 8 | 8 |

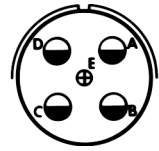
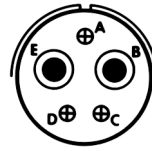
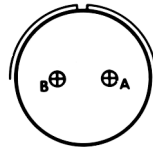
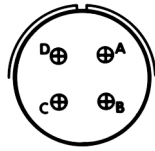
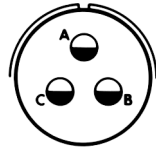


| | | | | | |
|--------------------|------|-------|------|------|------|
| Insert Arrangement | 22-4 | 22-5 | 22-6 | 22-7 | 22-8 |
| Service Rating | A | D | D | E | E |
| Number of Contacts | 2 2 | 2 4 | 2 1 | 1 | 2 |
| Contact Size | 8 12 | 12 16 | 8 16 | 0 | 12 |

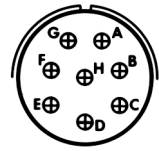
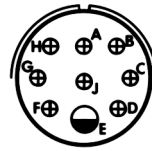
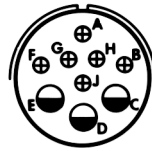
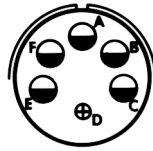
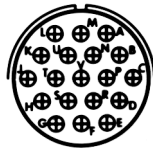


MS/Standard contact arrangements

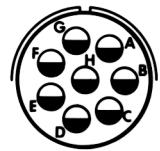
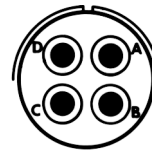
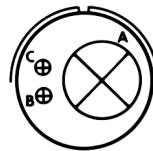
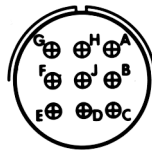
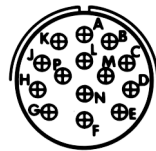
front face of pin insert or rear face of socket insert illustrated



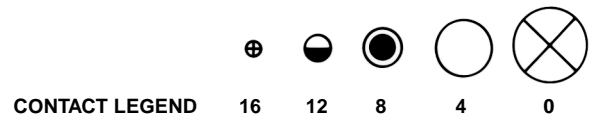
| | | | | | |
|--------------------|------|-------|-------|-------|-----------------------|
| Insert Arrangement | 22-9 | 22-10 | 22-11 | 22-12 | 22-13 |
| Service Rating | E | E | B | D | E = D; A, B, C, D = A |
| Number of Contacts | 3 | 4 | 2 | 2 3 | 4 1 |
| Contact Size | 12 | 16 | 16 | 8 16 | 12 16 |



| | | | | | |
|--------------------|-------|--------------------------|-------|-----------------|--------------------------------|
| Insert Arrangement | 22-14 | 22-15 | 22-16 | 22-17 | 22-18 |
| Service Rating | A | D = E; A, B, C, E, F = A | A | A = D; Bal. = A | A, B, F, G, H = D; C, D, E = A |
| Number of Contacts | 19 | 5 1 | 3 6 | 1 8 | 8 |
| Contact Size | 16 | 12 16 | 12 16 | 12 16 | 16 |

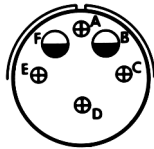


| | | | | | |
|--------------------|-------|-------|-------|-------|-----------------|
| Insert Arrangement | 22-19 | 22-20 | 22-21 | 22-22 | 22-23 |
| Service Rating | A | A | A | A | H = D; Bal. = A |
| Number of Contacts | 14 | 9 | 1 2 | 4 | 8 |
| Contact Size | 16 | 16 | 0 16 | 8 | 12 |

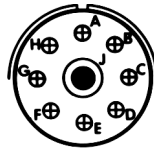


MS/Standard contact arrangements

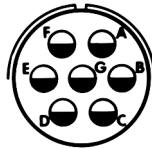
front face of pin insert or rear face of socket insert illustrated



Insert Arrangement 22-24
Service Rating C, D, E = D; A, B, F = A
Number of Contacts 2 4
Contact Size 12 16



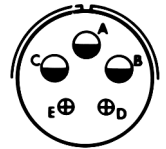
Insert Arrangement 22-27
Service Rating J = D; Bal. = A
Number of Contacts 1 8
Contact Size 8 16



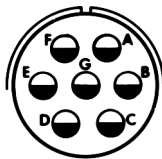
Insert Arrangement 22-28
Service Rating A
Number of Contacts 7
Contact Size 12



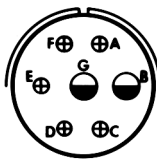
Insert Arrangement 22-33
Service Rating A, B, C, D = D; E, F, G = A
Number of Contacts 7
Contact Size 16



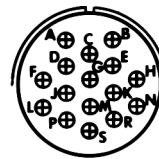
Insert Arrangement 22-34
Service Rating D
Number of Contacts 3 2
Contact Size 12 16



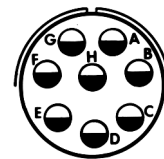
Insert Arrangement 24-2
Service Rating D
Number of Contacts 7
Contact Size 12



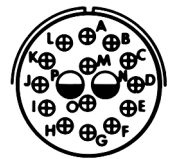
Insert Arrangement 24-3
Service Rating D
Number of Contacts 2 5
Contact Size 12 16



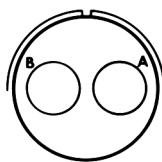
Insert Arrangement 24-5
Service Rating A
Number of Contacts 16
Contact Size 16



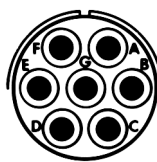
Insert Arrangement 24-6
Service Rating A, G, H = D; Bal. = A
Number of Contacts 8
Contact Size 12



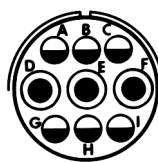
Insert Arrangement 24-7
Service Rating A
Number of Contacts 2 14
Contact Size 12 16



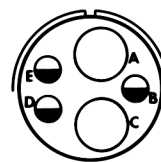
Insert Arrangement 24-9
Service Rating A
Number of Contacts 2
Contact Size 4



Insert Arrangement 24-10
Service Rating A
Number of Contacts 7
Contact Size 8



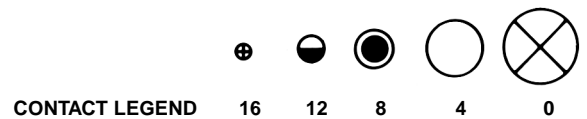
Insert Arrangement 24-11
Service Rating A
Number of Contacts 3 6
Contact Size 8 12



Insert Arrangement 24-12
Service Rating A
Number of Contacts 2 3
Contact Size 4 12

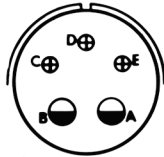


Insert Arrangement 24-16
Service Rating A, B, F, G = D; C, D, E = A
Number of Contacts 1 3 3
Contact Size 8 12 16

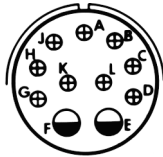


MS/Standard contact arrangements

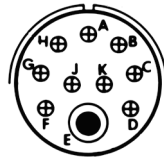
front face of pin insert or rear face of socket insert illustrated



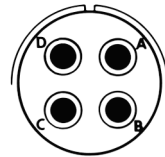
24-17



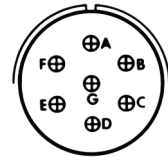
24-20



24-21



24-22



24-27

Insert Arrangement
Service Rating
Number of Contacts
Contact Size

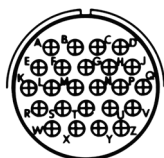
D
2 3
12 16

D
2 9
12 16

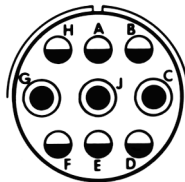
D
1 9
8 16

D
4
8

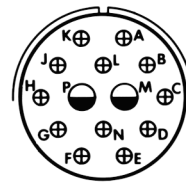
E
7
16



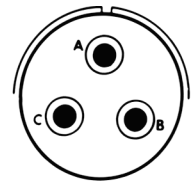
24-28



28-1



28-2



28-3

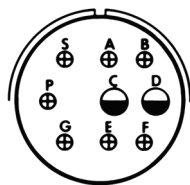
Insert Arrangement
Service Rating
Number of Contacts
Contact Size

Inst.
24
16

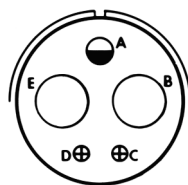
A, J, E = D; Bal. = A
3 6
8 12

D
2 12
12 16

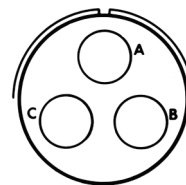
E
3
8



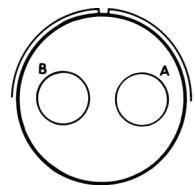
28-4



28-5



28-6



28-7

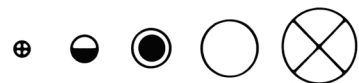
Insert Arrangement
Service Rating
Number of Contacts
Contact Size

G, P, S = E; Bal. = D
2 7
12 16

D
2 1 2
4 12 16

D
3
4

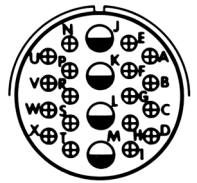
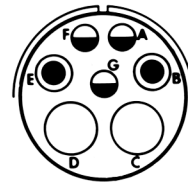
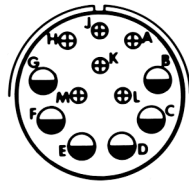
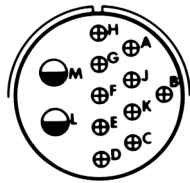
D
2
4



CONTACT LEGEND 16 12 8 4 0

MS/Standard contact arrangements

front face of pin insert or rear face of socket insert illustrated

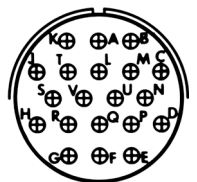
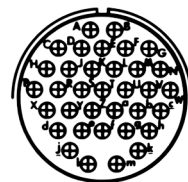
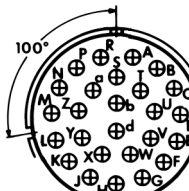


| | |
|--------------------|---------------------------|
| Insert Arrangement | 28-8 |
| Service Rating | L, M = E; B = D; Bal. = A |
| Number of Contacts | 2 10 |
| Contact Size | 12 16 |

| |
|-------|
| 28-9 |
| D |
| 6 6 |
| 12 16 |

| |
|-----------------|
| 28-10 |
| G = D; Bal. = A |
| 2 2 3 |
| 4 8 12 |

| |
|-------|
| 28-11 |
| A |
| 4 18 |
| 12 16 |



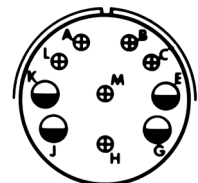
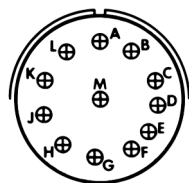
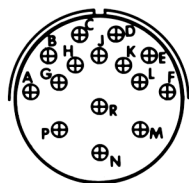
| | |
|--------------------|-------|
| Insert Arrangement | 28-12 |
| Service Rating | A |
| Number of Contacts | 26 |
| Contact Size | 16 |

100° Rotation
of 28-12

| |
|-------|
| 28-13 |
| A |
| 26 |
| 16 |

| |
|-------|
| 28-15 |
| A |
| 35 |
| 16 |

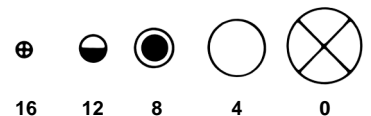
| |
|-------|
| 28-16 |
| A |
| 20 |
| 16 |



| | |
|--------------------|--------------------------------|
| Insert Arrangement | 28-17 |
| Service Rating | R = B; M, N, P = D; A to L = A |
| Number of Contacts | 15 |
| Contact Size | 16 |

| |
|--|
| 28-18 |
| M = C; G, H, J, K, L = D; A, B = A; Bal. = Inst. |
| 12 |
| 16 |

| |
|------------------------------|
| 28-19 |
| H, M = B; A, B = D; Bal. = A |
| 4 6 |
| 12 16 |

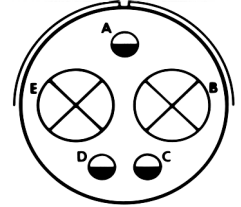
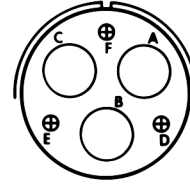
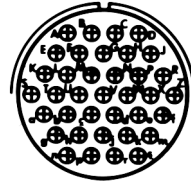
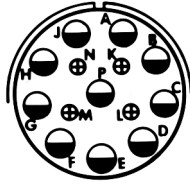


CONTACT LEGEND

16 12 8 4 0

MS/Standard contact arrangements

front face of pin insert or rear face of socket insert illustrated



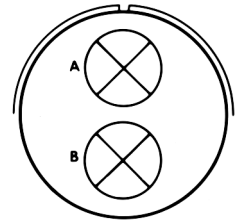
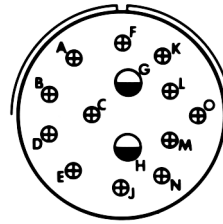
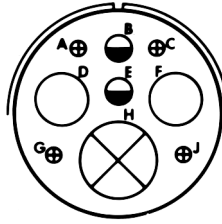
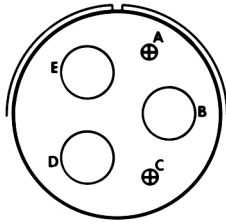
Insert Arrangement
Service Rating
Number of Contacts
Contact Size

28-20
A
10 4
12 16

28-21
A
37
16

28-22
D
3 3
4 16

32-1
A = E; B, C, D, E = D
2 3
0 12



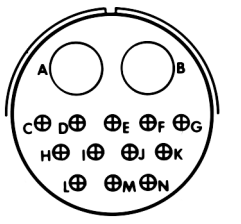
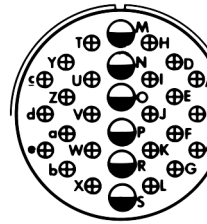
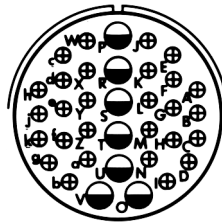
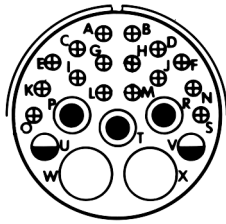
Insert Arrangement
Service Rating
Number of Contacts
Contact Size

32-2
E
3 2
4 16

32-3
D
1 2 2 4
0 4 12 16

32-4
F, J, K, N = A; Bal. = D
2 12
12 16

32-5
D
2
0



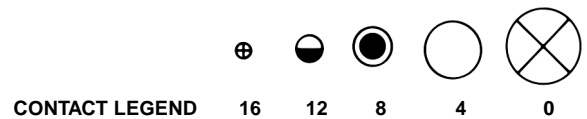
Insert Arrangement
Service Rating
Number of Contacts
Contact Size

32-6
A
2 3 2 16
4 8 12 16

32-7
A, B, h, j = Inst.; Bal. = A
7 28
12 16

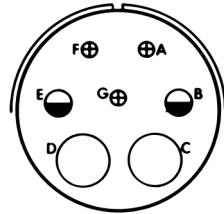
32-8
A
6 24
12 16

32-9
D
2 12
4 16



MS/Standard contact arrangements

front face of pin insert or rear face of socket insert illustrated



32-10

Insert Arrangement

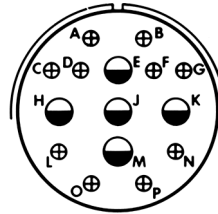
Service Rating

Number of Contacts

Contact Size

A, F = E; G = B; B, E = D; C, D = A

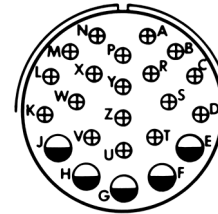
2 2 3
4 8 16



32-12

C, D, E, F, G = A; Bal. = D

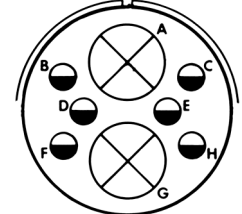
5 10
12 16



32-13

D

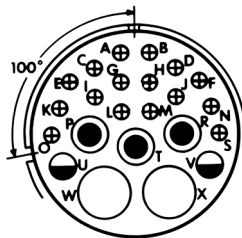
5 18
12 16



32-15

D

2 6
0 12



100° Rotation
of 32-6

32-16

Insert Arrangement

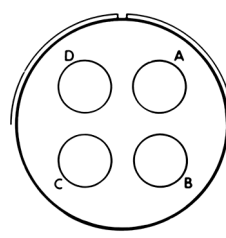
Service Rating

Number of Contacts

Contact Size

A

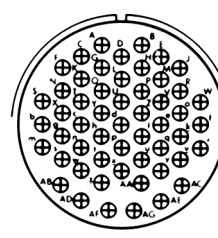
2 3 2 16
4 8 12 16



32-17

D

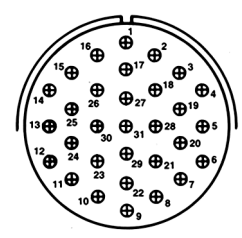
4
4



32-22

A

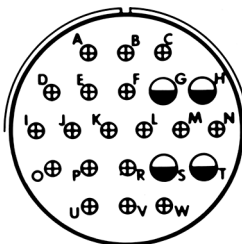
54
16



32-31

A

31
16



36-1

Insert Arrangement

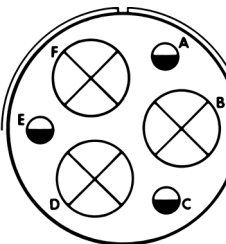
Service Rating

Number of Contacts

Contact Size

D

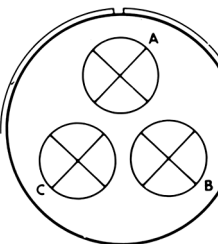
4 18
12 16



36-3

D

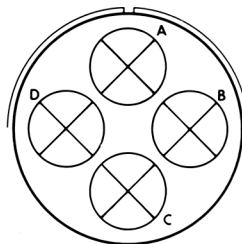
3 3
0 12



36-4

A = D; B, C = A

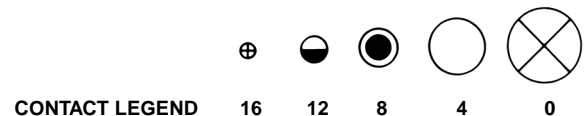
3
0



36-5

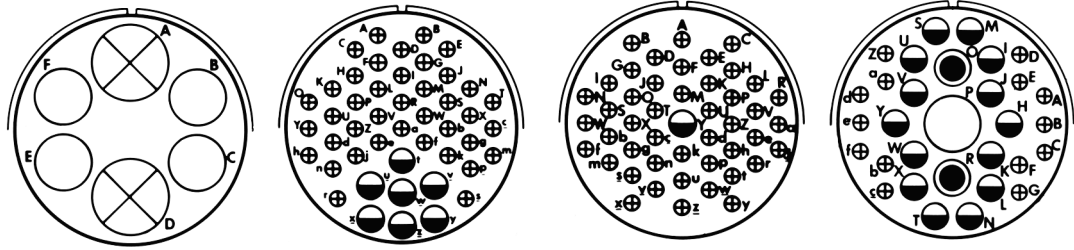
A

4
0

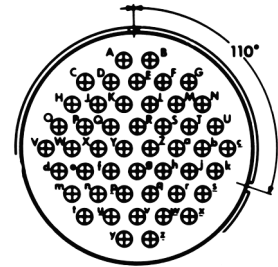
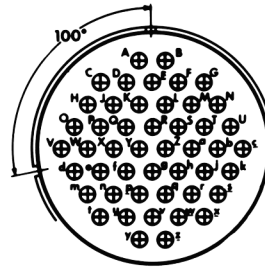
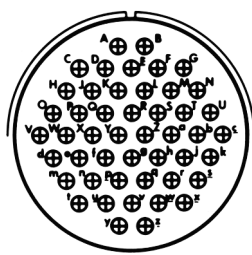


MS/Standard contact arrangements

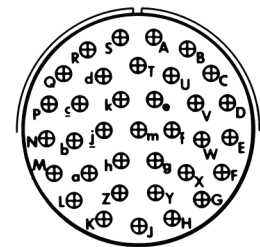
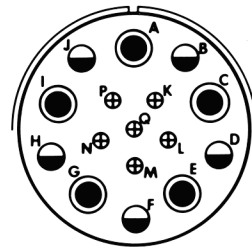
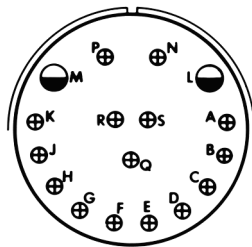
front face of pin insert or rear face of socket insert illustrated



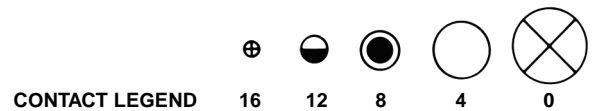
| Insert Arrangement | 36-6 | 36-7 | 36-8 | 36-9 |
|--------------------|------|-------|-------|-----------|
| Service Rating | A | A | A | A |
| Number of Contacts | 2 4 | 7 40 | 1 46 | 1 2 14 14 |
| Contact Size | 0 4 | 12 16 | 12 16 | 4 8 12 16 |



| Insert Arrangement | 36-10 | 36-11 | 36-12 |
|--------------------|-------|-------|-------|
| Service Rating | A | A | A |
| Number of Contacts | 48 | 48 | 48 |
| Contact Size | 16 | 16 | 16 |

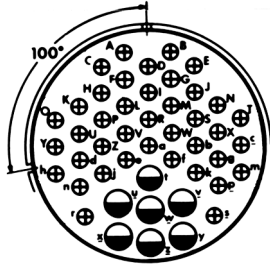


| Insert Arrangement | 36-13 | 36-14 | 36-15 |
|--------------------|-----------------------|---------|-----------------|
| Service Rating | N, P, Q = E; Bal. = A | D | M = D; Bal. = A |
| Number of Contacts | 2 15 | 5 5 6 | 35 |
| Contact Size | 12 16 | 8 12 16 | 16 |



MS/Standard contact arrangements

front face of pin insert or rear face of socket insert illustrated

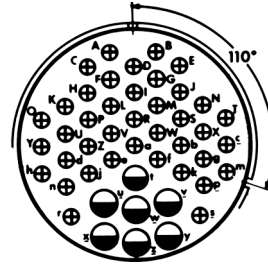


100° Rotation
of 36-7

36-16

Insert Arrangement
Service Rating
Number of Contacts
Contact Size

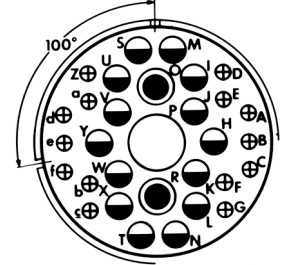
A
7 40
12 16



110° Rotation
of 36-7

36-17

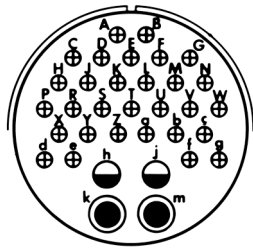
A
7 40
12 16



100° Rotation
of 36-9

36-18

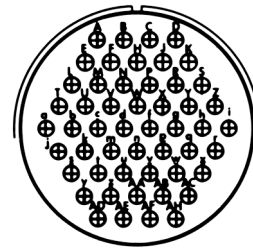
A
1 2 14 14
4 8 12 16



36-20

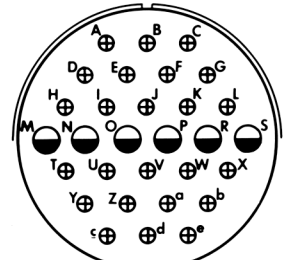
Insert Arrangement
Service Rating
Number of Contacts
Contact Size

A
2 2 30
8 12 16



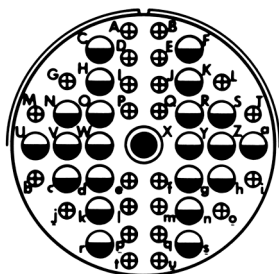
36-52

A
52
16



40-1

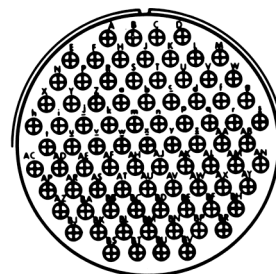
D
6 24
12 16



40-9

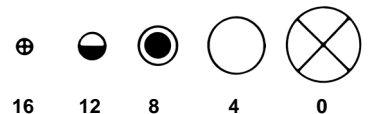
Insert Arrangement
Service Rating
Number of Contacts
Contact Size

A
1 22 24
8 12 16



40-56

A
85
16



CONTACT LEGEND

16 12 8 4 0

Special contact arrangements

Requirements for more complex circuits prompted Amphenol to provide inserts not covered by the MS drawings. Illustrated here and on the following pages are insert layouts which have from one contact (high tension) to the 62 contact insert in shell size 40.

Many of these special inserts are also available in alternate keyway arrangements. Please contact Amphenol, Sidney, NY for additional information on special circuit application requirements.

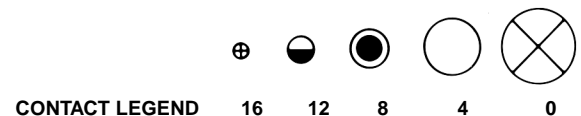
front face of pin insert or rear face of socket insert illustrated

| | | | | | | |
|---------------------------|-------|-------|-------|-----------------------|-------|----------------------|
| | | | | | | |
| Insert Arrangement | 14-A7 | 16-59 | 20-51 | 20-57 | 20-58 | 20-59 |
| Service Rating | A | A | A | A | A | A |
| Number of Contacts | 7 | 4 | 3* | 7* | 5 5 | 3* |
| Contact Size | 16 | 12 | 8 | 12 for #14 or 16 wire | 12 16 | 8 for #10 or 12 wire |

| | | | | | |
|---------------------------|--------------------|--------------------|-------|-----------------------|-------|
| | | | | | |
| Insert Arrangement | 20-66 | 20-79 | 22-63 | 22-65 | 22-70 |
| Service Rating | A | H = D; Bal. = A | A | H = D; Bal. = A | A |
| Number of Contacts | 1 5 | 7* 1* | 4 8 | 8* | 8 5 |
| Contact Size | 16 12 for #10 wire | 16 12 for #16 wire | 12 16 | 12 for #14 or 16 wire | 12 16 |

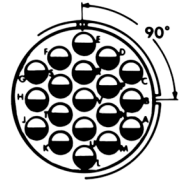
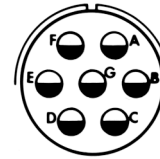
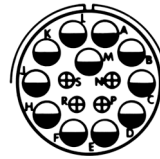
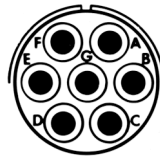
| | | | | | |
|---------------------------|----------------------|--|---------|-------|---------|
| | | | | | |
| Insert Arrangement | 22-80 | 24-51 | 24-52 | 24-53 | 24-58 |
| Service Rating | A | A | Hi-Volt | A | A |
| Number of Contacts | 3* | 5* | 1 | 5* | 3 3 7 |
| Contact Size | 8 for #10 or 12 wire | B, E for AN #10 or 12 wire A, C, D for AN #8 wire | 12 | 8 | 8 12 16 |

* Solderless

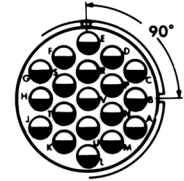
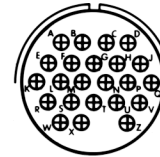
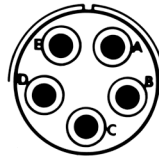
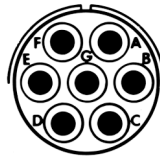
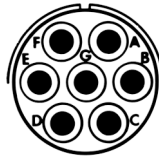


Special contact arrangements

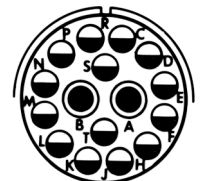
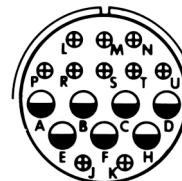
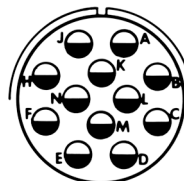
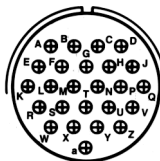
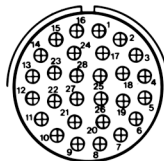
front face of pin insert or rear face of socket insert illustrated



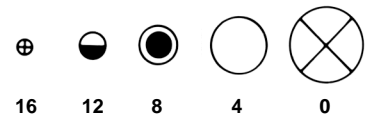
| | | | | | |
|--------------------|-------|----------------------|-------|-------|-------|
| Insert Arrangement | 24-59 | 24-60 | 24-65 | 24-66 | 24-67 |
| Service Rating | A | A | A | D | Inst. |
| Number of Contacts | 7 7 | 7* | 11 4 | 7 | 19 |
| Contact Size | 12 16 | 8 for #10 or 12 wire | 12 16 | 12 | 12 |



| | | | | | |
|--------------------|------------------------|------------------|-------|-------|-----------------------------------|
| Insert Arrangement | 24-71 | 24-75 | 24-79 | 24-80 | 24-84 |
| Service Rating | A | A | A | Inst. | A |
| Number of Contacts | 2* 5* | 5 2 | 5 | 23 | 1 18 |
| Contact Size | 8 8 for #10 or 12 wire | 8 8 for #16 wire | 8 | 16 | 12 12 (Coax) RG-188/U or RG-174/U |



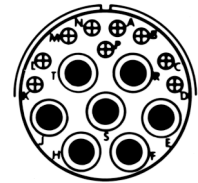
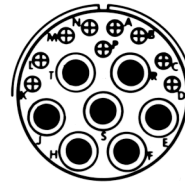
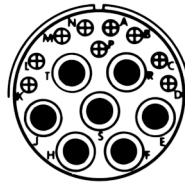
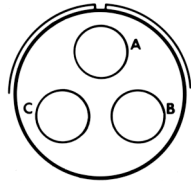
| | | | | | |
|--------------------|-------|-------|-------|-------|-------|
| Insert Arrangement | 24-96 | 24-AJ | 28-51 | 28-59 | 28-66 |
| Service Rating | Inst. | A | A | A | A |
| Number of Contacts | 28 | 25 | 12 | 7 10 | 2 14 |
| Contact Size | 16 | 16 | 12 | 12 16 | 8 12 |



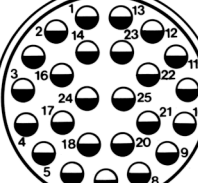
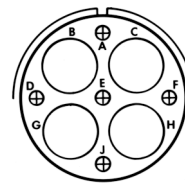
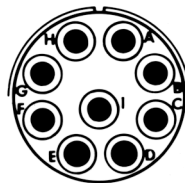
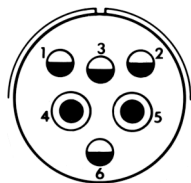
* Solderless

Special contact arrangements

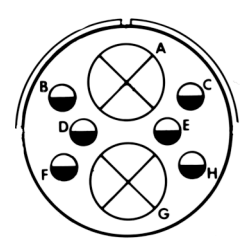
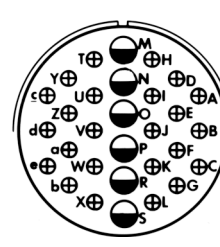
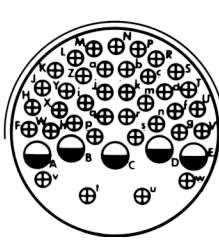
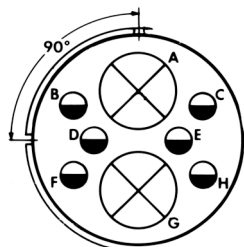
front face of pin insert or rear face of socket insert illustrated



| | | | | |
|--------------------|-------------------------------|-------------------------------|-------------------|-------|
| Insert Arrangement | 28-72 | 28-74 | 28-75 | 28-79 |
| Service Rating | - | A | A | A |
| Number of Contacts | 3 | 9* 4* 3* | 9* 7* | 7 9 |
| Contact Size | 4 (Coax) RG-59A/U or RG-62A/U | 16 8 8 for #10 wire (S, T, R) | 16 8 for #10 wire | 8 16 |



| | | | | |
|--------------------|-------|-------|-------|-------|
| Insert Arrangement | 28-82 | 28-84 | 28-AY | 32-25 |
| Service Rating | D | A | A | A |
| Number of Contacts | 2 4 | 9 | 4 5 | 25 |
| Contact Size | 8 12 | 8 | 4 16 | 12 |

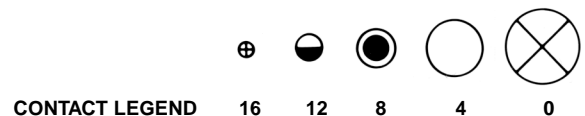


| | | | | |
|--------------------|-------|------------------------|--------------------|---------------------|
| Insert Arrangement | 32-52 | 32-53 | 32-56 | 32-57 |
| Service Rating | D | t, u = E; Bal. = Inst. | A | ** |
| Number of Contacts | 6 2 | 5 37 | 24 6 | 6 2 |
| Contact Size | 12 0 | 12 16 | 16 12 for #10 wire | 12 0 (Coax) RG-71/U |

90° CW Rotation of 32-15

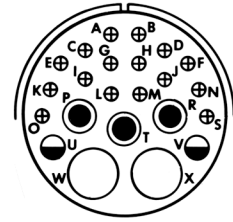
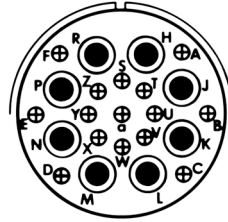
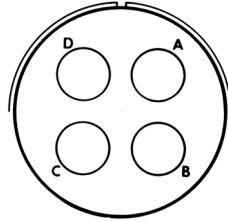
* Solderless

** Consult Amphenol, Sidney, NY for service rating of power contacts.

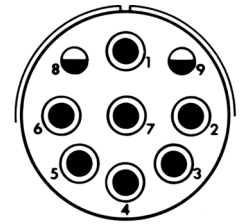
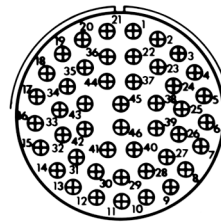
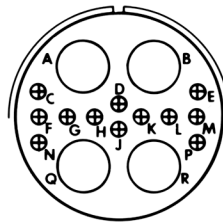
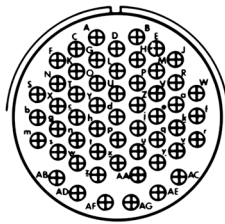


Special contact arrangements

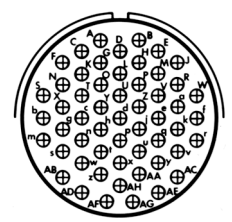
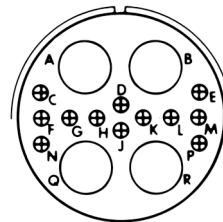
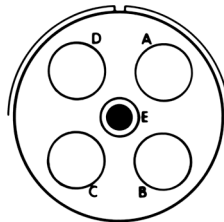
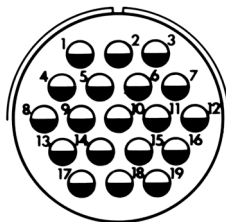
front face of pin insert or rear face of socket insert illustrated



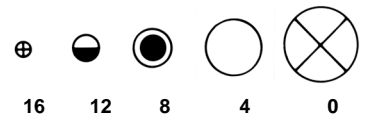
| Insert Arrangement | 32-58 | 32-60 | 32-62 |
|--------------------|-------------------------------|----------------------|-----------------------------|
| Service Rating | - | A | ** |
| Number of Contacts | 4 | 15 8 | 2 1 2 16 2 |
| Contact Size | 4 (Coax) RG-161/U or RG-179/U | 16 8 (Coax) RG-124/U | 4 8 12 16 8 (Coax) RG-124/U |



| Insert Arrangement | 36-64 | 32-68 | 32-73 | 32-75 |
|--------------------|-------|----------------------|-------|-----------------------|
| Service Rating | Inst. | A | A | 8, 9 = D |
| Number of Contacts | 54 | 12 4 | 46 | 2 7 |
| Contact Size | 16 | 16 4 (Coax) RG-58C/U | 16 | 12 8 (Coax) RG-180B/U |



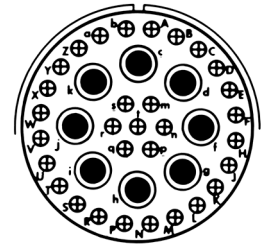
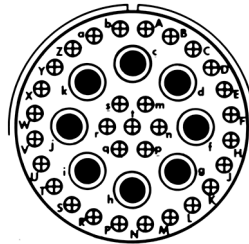
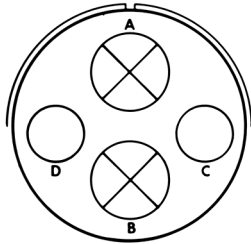
| Insert Arrangement | 32-76 | 32-79 | 38-82 | 32-AF |
|--------------------|-------|-------|-------|-------|
| Service Rating | A | D | A | A |
| Number of Contacts | 19 | 4 1 | 4 12 | 55 |
| Contact Size | 12 | 4 8 | 4 16 | 16 |



** Consult Amphenol, Sidney, NY for service rating of power contacts.

Special contact arrangements

front face of pin insert or rear face of socket insert illustrated

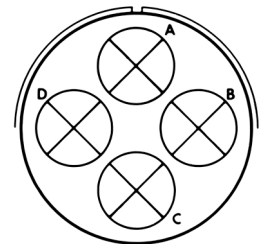
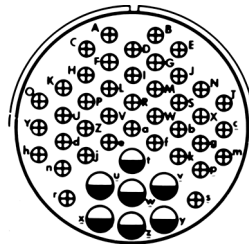


Insert Arrangement
Service Rating
Number of Contacts
Contact Size

36-51
D
2 2
0 4

36-54
A
8 31
8 16

36-55
A
31 8
16 8 for #6 wire

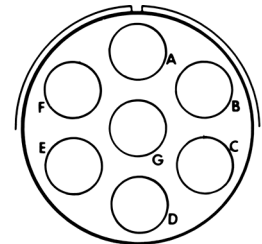
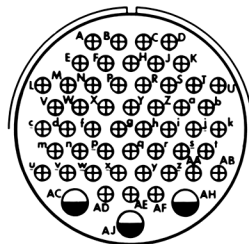
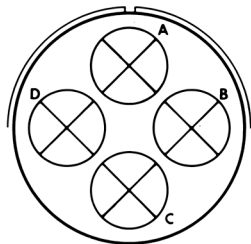


Insert Arrangement
Service Rating
Number of Contacts
Contact Size

36-59
A
50 3
16 12 for #10 wire

36-60
**
40 7
16 12 for #10 wire

36-64
-
4
0 (Coax) RG-11/U,
RG-12/U or RG-13/U

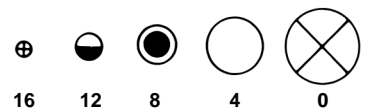


Insert Arrangement
Service Rating
Number of Contacts
Contact Size

36-65
-
4
0 (Coax) RG-59/U, RG-62/U
or RG-71/U

36-71
A
3 50
12 16

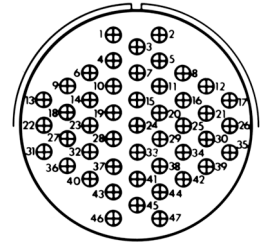
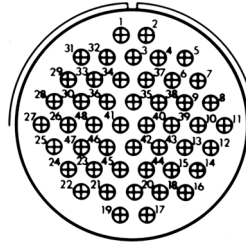
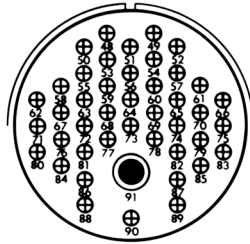
36-73
-
7
4 (Coax) RG-62B/U



** Consult Amphenol, Sidney, NY for service rating of power contacts.

Special contact arrangements

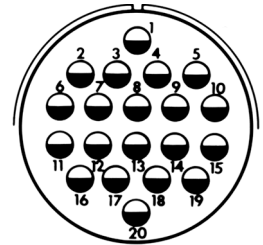
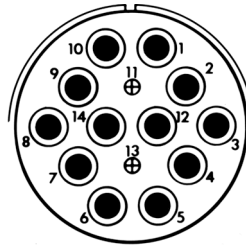
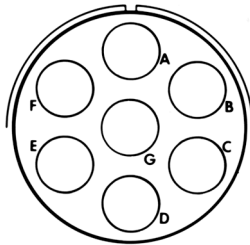
front face of pin insert or rear face of socket insert illustrated



Insert Arrangement 36-74
Service Rating A
Number of Contacts 43 1
Contact Size 16 8 (Coax) RG-187/U

Insert Arrangement 36-75
Service Rating A
Number of Contacts 48
Contact Size 16 for #14 wire

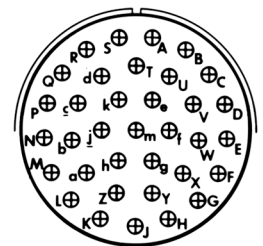
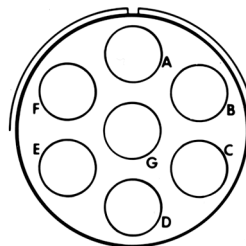
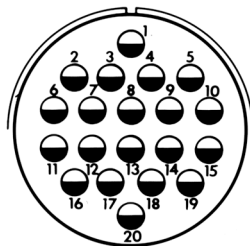
Insert Arrangement 36-76
Service Rating A
Number of Contacts 47
Contact Size 16



Insert Arrangement 36-77
Service Rating D
Number of Contacts 7
Contact Size 4

Insert Arrangement 36-78
Service Rating A
Number of Contacts 2 12
Contact Size 16 8

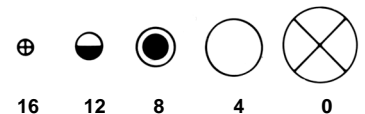
Insert Arrangement 36-79
Service Rating A
Number of Contacts 20
Contact Size 12



Insert Arrangement 36-80
Service Rating A
Number of Contacts 20
Contact Size 12 for #10 wire

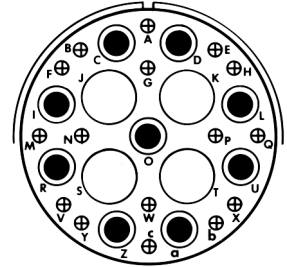
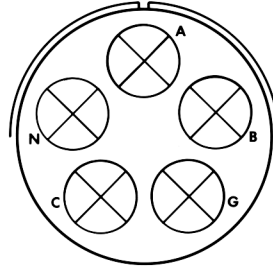
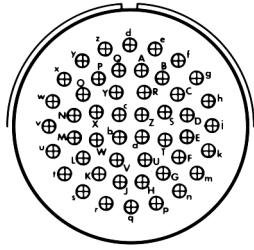
Insert Arrangement 36-83
Service Rating -
Number of Contacts 7
Contact Size 4 (Coax) RG-58/U

Insert Arrangement 36-85
Service Rating M = D; Bal. = A
Number of Contacts 35
Contact Size 16 for #12 wire



Special contact arrangements

front face of pin insert or rear face of socket insert illustrated

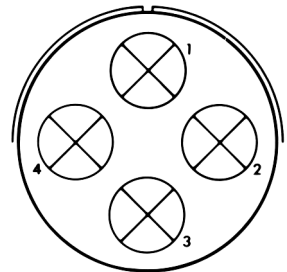
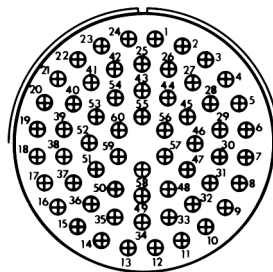
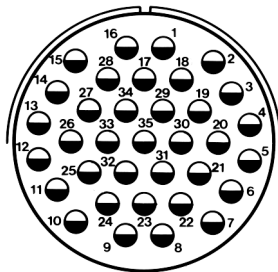


Insert Arrangement
Service Rating
Number of Contacts
Contact Size

36-AF
A
48
16

40-5
A
5
0

40-10
A
4 9 16
4 8 16

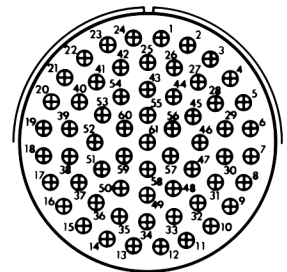
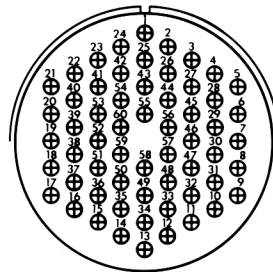
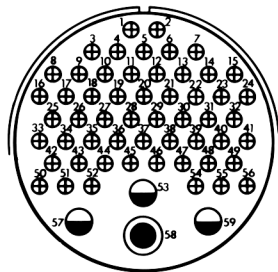


Insert Arrangement
Service Rating
Number of Contacts
Contact Size

40-35
D
35
12

40-53
A
60
16

40-57
E
4
0

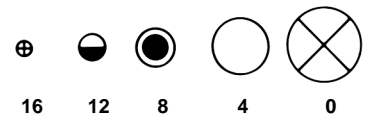


Insert Arrangement
Service Rating
Number of Contacts
Contact Size

40-61
A
1 3 55
8 12 16

40-62
A
60
16

40-63
A
61
16 for #14 wire

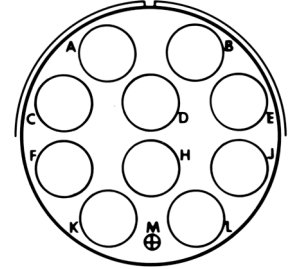
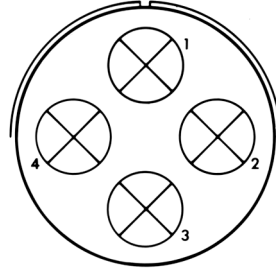
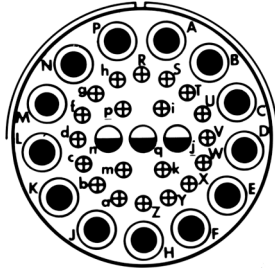


CONTACT LEGEND

16 12 8 4 0

Special contact arrangements

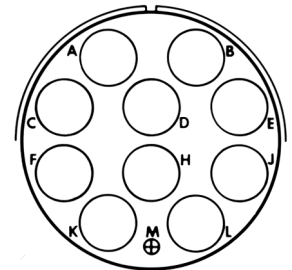
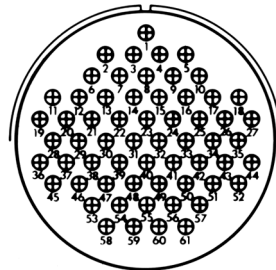
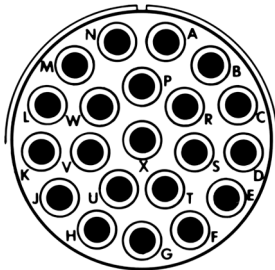
front face of pin insert or rear face of socket insert illustrated



| | |
|--------------------|-------------------------|
| Insert Arrangement | 40-64 |
| Service Rating | - |
| Number of Contacts | 3 20 13 |
| Contact Size | 12 16 8 (Coax) RG-124/U |

| | |
|--------------------|--------------------|
| Insert Arrangement | 40-66 |
| Service Rating | - |
| Number of Contacts | 4 |
| Contact Size | 0 (Coax) RG-63 B/U |

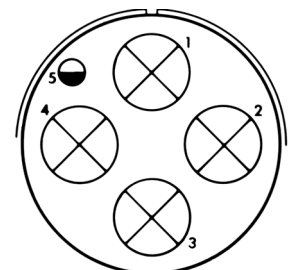
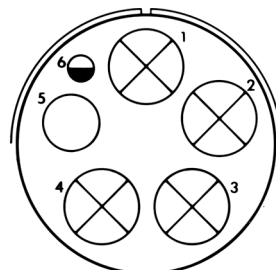
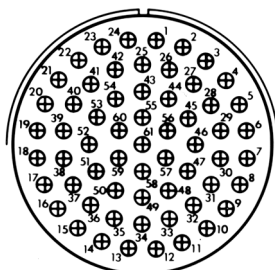
| | |
|--------------------|---------------------|
| Insert Arrangement | 40-67 |
| Service Rating | A |
| Number of Contacts | 1 10 |
| Contact Size | 16 4 (Coax) RG-59/U |



| | |
|--------------------|-------|
| Insert Arrangement | 40-68 |
| Service Rating | A |
| Number of Contacts | 21 |
| Contact Size | 8 |

| | |
|--------------------|-------|
| Insert Arrangement | 40-70 |
| Service Rating | A |
| Number of Contacts | 61 |
| Contact Size | 16 |

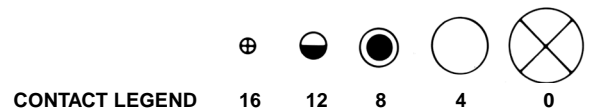
| | |
|--------------------|---------------------|
| Insert Arrangement | 40-72 |
| Service Rating | A |
| Number of Contacts | 1 10 |
| Contact Size | 16 4 (Coax) RG-9B/U |



| | |
|--------------------|-------|
| Insert Arrangement | 40-73 |
| Service Rating | A |
| Number of Contacts | 61 |
| Contact Size | 16 |

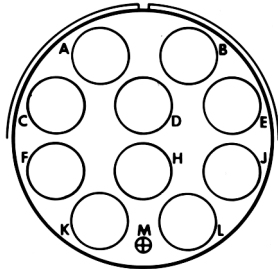
| | |
|--------------------|--|
| Insert Arrangement | 40-74 |
| Service Rating | A |
| Number of Contacts | 1 1 4 |
| Contact Size | 12 4 (Coax) RG-62/U 0 (Coax) RG-9B/U or RG-214/U |

| | |
|--------------------|-------|
| Insert Arrangement | 40-75 |
| Service Rating | E |
| Number of Contacts | 1 4 |
| Contact Size | 12 0 |

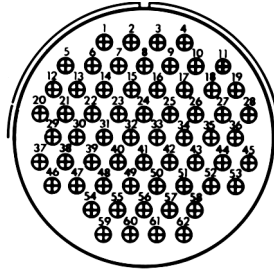


Special contact arrangements

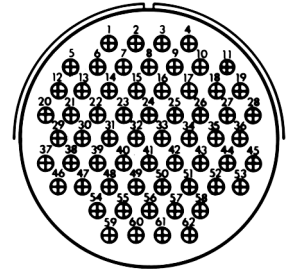
front face of pin insert or rear face of socket insert illustrated



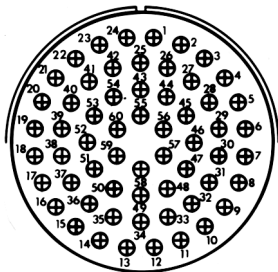
Insert Arrangement 40-80
 Service Rating A
 Number of Contacts 1 10
 Contact Size 16 4



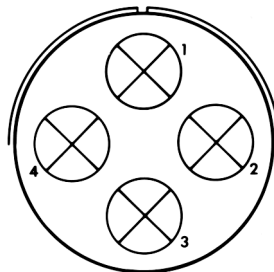
40-81
 A
 62
 16 for #14 wire



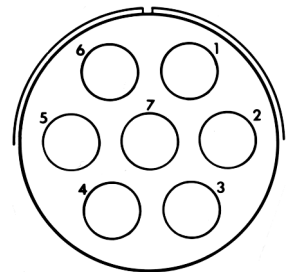
40-82
 A
 62
 16



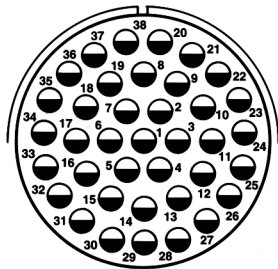
Insert Arrangement 40-85
 Service Rating A
 Number of Contacts 60
 Contact Size 16 for #14 wire



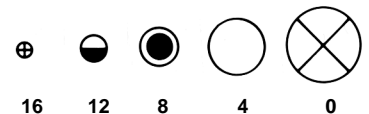
40-86
 -
 4
 0 (Coax) RG-115A/U



40-87
 D
 7
 4



Insert Arrangement 40-AG
 Service Rating A
 Number of Contacts 38
 Contact Size 12



CONTACT LEGEND

16 12 8 4 0

Thermocouple contact availability

A complete line of cylindrical connectors containing thermocouple insert arrangements is available. The contact layout for a particular arrangement will be found in either the MS/Standard contact arrangement section, pages 26-37, or the Special contact arrangement section, pages 38-48. All thermocouple contact layouts may contain either iron, alumel, chromel, constantan, standard (copper) or brass (dummy) contacts. See the thermocouple tabulations on the following pages.

The following abbreviations are used in the contact material column in the charts that follow. Also, thermocouple contacts are color coded as shown. (This identification is made by means of small dots of stain on the solder well end of the contact).

| Abbreviation | Material | Color Code |
|--------------|--------------|------------|
| Ir. | Iron | Black |
| Con. | Constantan | Yellow |
| Cu. | Copper Alloy | N/A |
| Ch. | Chromel | White |
| Al. | Alumel | Green |
| Dummy | Brass | N/A |

WIRE WELL DATA

| Contact Size | Well Inside Dia. +.004 -.002 | Well Depth +.031 -.000 | Solder Well Barrel Outside Dia. |
|--------------|------------------------------------|------------------------------|------------------------------------|
| 12 | .125 | .250 | .166 ±.003 |
| 16 | .094 | .188 | .125 ^{+.002} -.004 |

RECOMMENDED WIRE

| | |
|----------------------|--|
| I Chromel - Alumel | Use wire in accordance with MIL-W-5848 |
| II Iron - Constantan | Use wire in accordance with MIL-W-5845 |

Thermocouple contact arrangements

| Shell Size and Arrg. | Similar to MS Arrg. | Total Contacts | Contact Size | | Pin Insert Rotation C W | Contact Material |
|----------------------|---------------------|----------------|--------------|----|-------------------------|---|
| | | | 12 | 16 | | |
| 10SL-51 | 10SL-4 | 2 | | 2 | 45° | A = Ir.; B = Con. |
| 10SL-52 | 10SL-4 | 2 | | 2 | 45° | A = Cu.; B = Con. |
| 10SL-53 | 10SL-4 | 2 | | 2 | 45° | A = Al.; B = Ch. |
| 10SL-54 | 10SL-3 | 3 | | 3 | None | A = Ir.; B = Con.; C = Cu. |
| 10SL-55 | 10SL-3 | 3 | | 3 | None | A = Al.; B = Ch.; C = Cu. |
| 10SL-56 | 10SL-4 | 2 | | 2 | None | A = Al.; B = Ch. |
| 10SL-57 | 10SL-4 | 2 | | 2 | None | A = Ch.; B = Con. |
| 10SL-58 | 10SL-3 | 3 | | 3 | None | A = Ch.; B = Al.; C = Cu. |
| 10SL-59 | 10SL-4 | 2 | | 2 | None | A = Ch.; B = Al. |
| 10SL-60 | 10SL-4 | 2 | | 2 | None | A = Ir.; B = Con. |
| 10SL-61 | 10SL-4 | 2 | | 2 | None | A = Cu.; B = Con. |
| 10SL-62 | 10SL-3 | 3 | | 3 | None | A = Cu.; B = Al.; C = Ir. |
| 10SL-63 | 10SL-3 | 3 | | 3 | None | A, C = Con.; B = Ch. |
| 10SL-64 | 10SL-3 | 3 | | 3 | None | A, C = Ch.; B = Al. |
| | | | | | | |
| 12S-51 | 12S-3 | 2 | | 2 | 315° | A = Ch.; B = Al. |
| 12S-54 | 12S-3 | 2 | | 2 | 315° | A = Ir.; B = Con. |
| 12S-55 | 12S-3 | 2 | | 2 | 45° | A = Cu.; B = Con. |
| 12S-56 | 12S-3 | 2 | | 2 | None | A = Al.; B = Ch. |
| 12S-57 | 12S-3 | 2 | | 2 | 60° | A = Ch.; B = Al. |
| 12S-58 | 12S-3 | 2 | | 2 | 120° | A = Ir.; B = Con. |
| 12S-59 | 12S-3 | 2 | | 2 | None | A = Ir.; B = Con. |
| 12S-60 | 12S-3 | 2 | | 2 | None | A = Cu.; B = Con. |
| 12S-61 | 12S-3 | 2 | | 2 | None | A = Ch.; B = Con. |
| 12S-62 | 12S-3 | 2 | | 2 | None | A = Ch.; B = Al. |
| | | | | | | |
| 14S-51 | 14S-9 | 2 | | 2 | 90° | A = Al.; B = Ch. |
| 14S-52 | 14S-2 | 4 | | 4 | 45° | A, B = Cu.; C = Al.; D = Ch. |
| 14S-53 | 14S-9 | 2 | | 2 | 90° | A = Ir.; B = Con. |
| 14S-54 | 14S-6 | 6 | | 6 | 45° | A, C, E = Ir.; B, D, F = Con. |
| 14S-55 | 14S-2 | 4 | | 4 | 45° | A, C = Ir.; B, D = Con. |
| 14S-56 | 14S-2 | 4 | | 4 | 45° | A = Ir.; B = Con.; C, D = Cu. |
| 14S-57 | 14S-2 | 4 | | 4 | 45° | A, C = Al.; B, D = Ch. |
| 14S-58 | 14S-7 | 3 | | 3 | 45° | A = Al.; B = Ch.; C = Cu. |
| 14S-59 | 14S-9 | 2 | | 2 | 90° | A = Cu.; B = Con. |
| 14S-60 | 14S-9 | 2 | | 2 | None | A = Al.; B = Ch. |
| 14S-61 | 14S-6 | 6 | | 6 | 45° | A = Al.; B = Ch.; C = Ir.; D = Con.; E, F = Cu. |
| 14S-63 | 14S-6 | 6 | | 6 | None | A, C = Al.; B, D = Ch.; E = Ir.; F = Con. |
| 14S-64 | 14S-2 | 4 | | 4 | None | A, C = Con.; B, D = Cu. |
| 14S-65 | 14S-6 | 6 | | 6 | None | A, C, E = Cu.; B, D, F = Con. |
| 14S-67 | 14S-6 | 6 | | 6 | None | A = Al.; B = Ch.; Balance = Cu. |
| 14S-68 | 14S-2 | 4 | | 4 | 45° | A = Ch.; B = Con.; C, D = Cu. |
| 14S-69 | 14S-7 | 3 | | 3 | None | A = Con.; B = Ch.; C = Cu. |
| 14S-70 | 14S-2 | 4 | | 4 | None | A, D = Ch.; B, C = Al. |
| 14S-71 | 14S-2 | 4 | | 4 | None | A, B, D = Cu.; C = Con. |
| 14S-72 | 14S-9 | 2 | | 2 | None | A = Con.; B = Cu. |
| 14S-73 | 14S-2 | 4 | | 4 | None | A, B = Cu.; C = Al.; D = Ch. |

Thermocouple contact arrangements

| Shell Size and Arrg. | Similar to MS Arrg. | Total Contacts | Contact Size | | Pin Insert Rotation C W | Contact Material |
|----------------------|---------------------|----------------|--------------|----|-------------------------|---|
| | | | 12 | 16 | | |
| 14S-74 | 14S-2 | 4 | | 4 | None | A, B = Ch.; C, D = Al. |
| 14S-75 | 14S-2 | 4 | | 4 | None | A, B = Cu.; C, D = Con. |
| 14S-76 | 14S-2 | 4 | | 4 | None | A, C = Al.; B, D = Ch. |
| 14S-77 | 14S-2 | 4 | | 4 | None | A, D = Al.; B, C = Ch. |
| 14S-78 | 14S-9 | 2 | | 2 | None | A = Ch.; B = Al. |
| | | | | | | |
| 16S-52 | 16S-4 | 2 | | 2 | None | A = Ch.; B = Al. |
| 16S-54 | 16S-1 | 7 | | 7 | None | A = Al.; B = Ch.; Balance = Cu. |
| 16S-55 | 16S-1 | 7 | | 7 | None | A = Con.; Balance = Cu. |
| | | | | | | |
| 16-52 | 16-11 | 2 | 2 | | 90° | A = Al.; B = Ch. |
| 16-53 | 16-9 | 4 | 2 | 2 | 70° | A = Al.; C = Ch.; B, D = Cu. |
| 16-55 | 16-10 | 3 | 3 | | 45° | A = Al.; B = Ch.; C = Cu. |
| 16-56 | 16-13 | 2 | 2 | | 90° | A = Con.; B = Cu. |
| 16-57 | 16-10 | 3 | 3 | | None | A = Al.; B = Cu.; C = Ch. |
| 16-58 | 16-10 | 3 | 3 | | None | A = Con.; B, C = Cu. |
| 16-60 | 16-13 | 2 | 2 | | None | A = Al.; B = Ch. |
| 16-62 | 16-11 | 2 | 2 | | None | A = Con.; B = Cu. |
| | | | | | | |
| 18-51 | 18-12 | 6 | | 6 | None | A = Ir.; B, E = Con.; D = Cu.; C, F = Dummy |
| 18-52 | 18-11 | 5 | 5 | | None | A = Ir.; B = Con.; C = Ch.; D = Al.; E = Dummy |
| 18-53 | 18-12 | 6 | | 6 | None | A, D = Ir.; B, E = Con.; C, F = Dummy |
| 18-54 | 18-15 | 4 | 4 | | None | A, C = Al.; B, D = Ch. |
| 18-56 | 18-1 | 10 | | 10 | 45° | A, C, E, G, I = Ir.; B, D, F, H, J = Con. |
| 18-57 | 18-12 | 6 | | 6 | 45° | A, C, E = Al.; B, D, F = Ch. |
| 18-59 | 18-12 | 6 | | 6 | 45° | A, C = Ir.; B, E, F = Con.; D = Cu. |
| 18-60 | 18-11 | 5 | 5 | | 45° | A, D = Al.; B, C, = Ch.; E = Cu. |
| 18-61 | 18-12 | 6 | | 6 | None | A, C = Ir.; B, D = Con.; E = Ch.; F = Al. |
| 18-62 | 18-12 | 6 | | 6 | None | A, B, C = Ir.; D, E, F = Con. |
| 18-63 | 18-15 | 4 | 4 | | None | A, C = Con.; B, D = Cu. |
| 18-65 | 18-12 | 6 | | 6 | None | A = Ir.; B = Con.; Balance = Cu. |
| 18-66 | 18-1 | 10 | | 10 | None | A, C, E, G, I = Cu.; B, D, F, H, J = Con. |
| 18-67 | 18-12 | 6 | | 6 | None | A, C, E = Cu.; B, D, F = Con. |
| 18-68 | 18-11 | 5 | 5 | | None | A, D = Al.; B, C = Ch.; E = Cu. |
| 18-69 | 18-1 | 10 | | 10 | None | A = Al.; B = Ch.; Balance = Cu. |
| 18-70 | 18-11 | 5 | 5 | | None | A = Ir.; B = Con.; C = Ch.; D = Al.; E = Cu. |
| 18-71 | 18-15 | 4 | 4 | | None | A = Con.; Balance = Cu. |
| 18-72 | 18-15 | 4 | 4 | | None | D = Con.; Balance = Cu. |
| 18-73 | 18-9 | 7 | 2 | 5 | None | A = Al.; D = Ch.; Balance = Cu. |
| 18-74 | 18-12 | 6 | | 6 | None | A = Ch.; B = Al.; D = Ir.; E = Cu.; C, F = Con. |
| | | | | | | |
| 20-52 | 20-4 | 4 | 4 | | 315° | A = Ir.; B = Con.; C = Ch.; D = Al. |
| 20-56 | 20-7 | 8 | | 8 | 45° | A, B, G, H = Ir.; C, D, E, F = Con. |
| 20-60 | 20-7 | 8 | | 8 | 45° | D = Ch.; E = Al.; Balance = Cu. |
| 20-61 | 20-29 | 17 | | 17 | 45° | A, B, M = Cu.; Balance = Con. |
| 20-62 | 20-15 | 7 | 7 | | 80° | A, C, E = Al.; B, D, F = Ch.; G = Cu. |
| 20-64 | 20-27 | 14 | | 14 | None | A = Al.; C = Ch.; Balance = Cu. |

Thermocouple contact arrangements

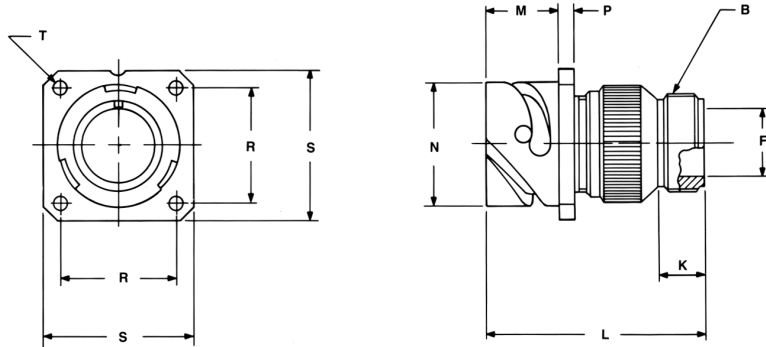
| Shell Size and Arrg. | Similar to MS Arrg. | Total Contacts | Contact Size | | Pin Insert Rotation C W | Contact Material |
|----------------------|---------------------|----------------|--------------|----|-------------------------|---|
| | | | 12 | 16 | | |
| 20-65 | 20-27 | 14 | | 14 | None | A, B, C, D, E, F, G = Ir.; H, I, J, K, L, M, N = Con. |
| 20-67 | 20-16 | 9 | 2 | 7 | None | H = Al.; I = Ch.; Balance = Cu. |
| 20-68 | 20-7 | 8 | | 8 | None | A, B, G, H = Con.; C, D, E, F = Cu. |
| 20-69 | 20-27 | 14 | | 14 | None | A, B, C, D, E, F, G = Cu.; H, I, J, K, L, M, N = Con. |
| 20-70 | 20-29 | 17 | | 17 | None | A, C, E, G, J, L, N, R, T = Ir.; B, D, F, H, K, M, P, S = Con. |
| 20-71 | 20-29 | 17 | | 17 | None | S = Al.; R = Ch.; Balance = Cu. |
| 20-74 | 20-29 | 17 | | 17 | None | A, C, E, G, J, L, N, R = Ir.; B, D, F, H, K, M, P, S = Con.; T = Cu. |
| 20-75 | 20-15 | 7 | 7 | | None | G = Al.; Balance = Ch. |
| 20-77 | 20-16 | 9 | 2 | 7 | None | A = Con.; Balance = Std. |
| 20-80 | 20-27 | 14 | | 14 | None | A, C, E, G, I, K, M = Cu.; B, D, F, H, J, L, N = Con. |
| 20-81 | 20-27 | 14 | | 14 | None | A, C, E, G, I, K, M = Ch.; B, D, F, H, J, L, N = Al. |
| 20-82 | 20-29 | 17 | | 17 | None | A, C, E, G, J, L, N, R = Al.; B, D, F, H, K, M, P, S = Ch.; T = Cu. |
| | | | | | | |
| 22-57 | 22-14 | 19 | | 19 | 45° | A, C, E, G, J, L, N, R = Ir.; B, D, F, H, K, M, P, S = Con.; T, U, V = Cu. |
| 22-60 | 22-14 | 19 | | 19 | 45° | U = Al.; N = Ch.; Balance = Cu. |
| 22-62 | 22-23 | 8 | 8 | | 60° | A, B, F, G = Al.; C, D, E, H = Ch. |
| 22-68 | 22-19 | 14 | | 14 | 45° | A, C, E, G, J, L, M = Ir.; B, D, F, H, K, P, N = Con. |
| 22-69 | 22-19 | 14 | | 14 | 45° | A, C, E, G, J, L, M = Cu.; B, D, F, H, K, P, N = Con. |
| 22-71 | 22-14 | 19 | | 19 | None | V = Al.; U = Ch.; Balance = Cu. |
| 22-72 | 22-5 | 6 | 2 | 4 | None | B = Al.; E = Ch.; Balance = Cu. |
| 22-73 | 22-5 | 6 | 2 | 4 | None | E = Al.; B = Ch.; Balance = Cu. |
| 22-74 | 22-23 | 8 | 8 | | None | A, C, E, G = Ir.; B, D, F, H = Con. |
| 22-75 | 22-23 | 8 | 8 | | None | A = Al.; B, D, G, H = Cu.; C = Ch.; E = Ir.; F = Con. |
| 22-76 | | 21 | | 21 | None | W = Con.; Balance = Cu. |
| 22-77 | 22-19 | 14 | | 14 | None | B, D, F, H, J, K, M, P = Cu.; A, E, L = Ir.; C, G, N = Con. |
| 22-78 | 22-14 | 19 | | 19 | None | A, C, E, G, H, K, M, P, R, T = Con.; Balance = Cu. |
| 22-79 | 22-10 | 4 | | 4 | None | A, C, = Con.; B, D = Cu. |
| | | | | | | |
| 24-56 | 24-20 | 11 | 2 | 9 | 45° | E = Al.; F = Ch.; Balance = Cu. |
| 24-57 | 24-28 | 24 | | 24 | 45° | A, C, J, V, Y, W, K, E, H, U, S, M = Ch.; Balance = Al. |
| 24-62 | 24-28 | 24 | | 24 | None | A, C, E, G = Ir.; B, D, F, H = Con.; R, T = Ch.; S, U = Al.; Balance = Cu. |
| 24-63 | 24-28 | 24 | | 24 | None | A, C, E, G, J, L, K, N, S, U, W, Y = Cu.; B, D, F, H, Q, R, M, P, T, V, X, Z = Con. |
| 24-64 | 24-5 | 16 | | 16 | None | A, B, C, D, E, F, G, H = Ir.; J, K, L, M, N, P, R, S = Con. |
| 24-68 | 24-28 | 24 | | 24 | None | D = Con.; Balance = Cu. |
| 24-81 | 24-7 | 16 | 2 | 14 | None | A, C, E, G, I, K, M, N, P = Cu.; B, D, F, H, J, L, O = Con. |
| | | | | | | |
| 28-53 | 28-11 | 22 | 4 | 18 | 45° | J, L = Al.; K, M = Ch.; Balance = Cu. |
| 28-58 | 28-20 | 14 | 10 | 4 | 45° | A, C, E, G, K, M = Al.; B, D, F, H, L, N = Ch.; J, P = Cu. |
| 28-61 | 28-21 | 37 | | 37 | 45° | A, C, J, Z, m, r, n, a, K, F, H, X, k, h, T, M, N, d = Ir.; Balance = Con. |
| 28-63 | 28-20 | 14 | 10 | 4 | 45° | A, C, E, G, J = Al.; B, D, F, H, P = Ch.; Balance = Cu. |
| 28-64 | 28-15 | 35 | | 35 | None | A, d = Al.; B, j = Ch.; C, D, E, F, G, N, P, R, S, H, J, K, L, M, W, X, Y, Z = Con.; Balance = Cu. |
| 28-65 | 28-12 | 26 | | 26 | None | A, C, E, G, J, L, N, R, T, V = Ir.; X, Z = Al.; B, D, F, H, K, M, P, S, U, W = Con.; Y, a = Ch.; b, d = Cu. |
| 28-67 | 28-16 | 20 | | 20 | None | U = Con.; Balance = Cu. |
| 28-68 | 28-15 | 35 | | 35 | 45° | T = Al.; U = Ch.; Balance = Cu. |
| 28-69 | 28-11 | 22 | 4 | 18 | None | G = Al.; R = Ch.; Balance = Cu. |

GT Connector Classes

GT00A

wall mount receptacle for front panel mounting

- Four through mounting holes or optional threaded holes
- Includes backshell for accessory attachment
- Without grommet and cable clamp
- Non-environment proof



Inches

| Shell Size | B Thread Class 2A | F Min. | K Min. | L Max. | M +.016 - .000 | N +.000 - .006 | P ±.008 | R ±.004 | S ±.012 | T +.004 - .000 |
|------------|-------------------|--------|--------|--------|----------------|----------------|---------|---------|---------|----------------|
| 10SL | .6250-24 UNEF | .409 | .374 | 1.969 | .559 | .717 | .110 | .717 | 1.000 | .126 |
| 14S | .7500-20 UNEF | .520 | .374 | 1.969 | .559 | .969 | .126 | .906 | 1.181 | .126 |
| 16S | .8750-20 UNEF | .638 | .374 | 1.969 | .559 | 1.079 | .126 | .969 | 1.280 | .126 |
| 16 | .8750-20 UNEF | .638 | .374 | 2.362 | .748 | 1.079 | .126 | .969 | 1.280 | .126 |
| 18 | 1.0000-20 UNEF | .756 | .374 | 2.362 | .748 | 1.213 | .157 | 1.063 | 1.378 | .126 |
| 20 | 1.1875-18 UNEF | .867 | .374 | 2.362 | .748 | 1.346 | .157 | 1.157 | 1.496 | .126 |
| 22 | 1.1875-18 UNEF | .965 | .374 | 2.362 | .748 | 1.472 | .157 | 1.252 | 1.614 | .126 |
| 24 | 1.4375-18 UNEF | 1.094 | .374 | 2.560 | .811 | 1.610 | .157 | 1.374 | 1.752 | .146 |
| 28 | 1.4375-18 UNEF | 1.228 | .374 | 2.560 | .811 | 1.839 | .157 | 1.563 | 2.000 | .146 |
| 32 | 1.7500-18 UNS | 1.488 | .433 | 2.560 | .874 | 2.102 | .157 | 1.752 | 2.244 | .169 |
| 36 | 2.0000-18 UNS | 1.780 | .465 | 3.150 | .874 | 2.346 | .157 | 1.937 | 2.500 | .169 |
| 40 | 2.2500-16 UN | 2.016 | .465 | 3.150 | .874 | 2.579 | .157 | 2.185 | 2.752 | .169 |

Millimeters

| Shell Size | F Min. | K Min. | L Max. | M + 0.4 - 0.0 | N + 0.00 - 0.15 | P ± 0.2 | R ± 0.1 | S ± 0.3 | T + 0.1 - 0.0 |
|------------|--------|--------|--------|---------------|-----------------|---------|---------|---------|---------------|
| 10SL | 10.4 | 9.5 | 50 | 14.2 | 18.2 | 2.8 | 18.2 | 25.4 | 3.2 |
| 14S | 13.2 | 9.5 | 50 | 14.2 | 24.6 | 3.2 | 23.0 | 30.0 | 3.2 |
| 16S | 16.2 | 9.5 | 50 | 14.2 | 27.4 | 3.2 | 24.6 | 32.5 | 3.2 |
| 16 | 16.2 | 9.5 | 60 | 19.0 | 27.4 | 3.2 | 24.6 | 32.5 | 3.2 |
| 18 | 19.2 | 9.5 | 60 | 19.0 | 30.8 | 4.0 | 27.0 | 35.0 | 3.2 |
| 20 | 22.0 | 9.5 | 60 | 19.0 | 34.2 | 4.0 | 29.4 | 38.0 | 3.2 |
| 22 | 24.5 | 9.5 | 60 | 19.0 | 37.4 | 4.0 | 31.8 | 41.0 | 3.2 |
| 24 | 27.8 | 9.5 | 65 | 20.6 | 40.9 | 4.0 | 34.9 | 44.5 | 3.7 |
| 28 | 31.2 | 9.5 | 65 | 20.6 | 46.7 | 4.0 | 39.7 | 50.8 | 3.7 |
| 32 | 37.8 | 11.0 | 65 | 22.2 | 53.4 | 4.0 | 44.5 | 57.0 | 4.3 |
| 36 | 45.2 | 11.8 | 80 | 22.2 | 59.6 | 4.0 | 49.2 | 63.5 | 4.3 |
| 40 | 51.2 | 11.8 | 80 | 22.2 | 65.5 | 4.0 | 55.5 | 69.9 | 4.3 |

All dimensions for reference only.

GT00AF/00F

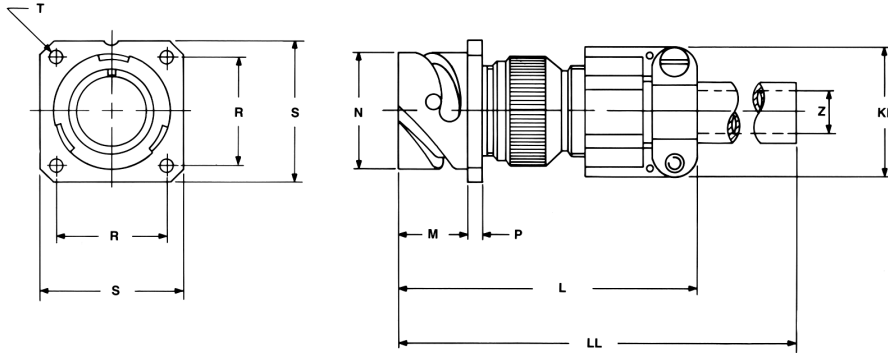
wall mount receptacle for front panel mounting

GT00AF

- Without grommet
- Cable clamp included
- Non-environment proof
- Four through mounting holes or optional threaded holes

GT00F

- With wire sealing grommet and cable clamp
- For use with individual wires
- Environment proof
- Four through mounting holes or optional threaded holes



Inches

| Shell Size | L Max. | M + .016 - .000 | N + .000 - .006 | P ± .008 | R ± .004 | S ± .012 | T + .004 - .000 | Z Max. | KK Max. | LL Max. |
|------------|--------|-----------------|-----------------|----------|----------|----------|-----------------|--------|---------|---------|
| 10SL | 2.362 | .559 | .717 | .110 | .717 | 1.000 | .126 | .220 | .894 | 4.720 |
| 14S | 2.440 | .559 | .969 | .126 | .906 | 1.181 | .126 | .312 | 1.083 | 4.720 |
| 16S | 2.756 | .559 | 1.079 | .126 | .969 | 1.280 | .126 | .437 | 1.181 | 4.720 |
| 16 | 2.756 | .748 | 1.079 | .126 | .969 | 1.280 | .126 | .437 | 1.181 | 4.921 |
| 18 | 3.031 | .748 | 1.213 | .157 | 1.063 | 1.378 | .126 | .562 | 1.300 | 4.921 |
| 20 | 3.031 | .748 | 1.346 | .157 | 1.157 | 1.496 | .126 | .625 | 1.476 | 4.921 |
| 22 | 3.031 | .748 | 1.472 | .157 | 1.252 | 1.614 | .126 | .625 | 1.476 | 4.921 |
| 24 | 3.346 | .811 | 1.610 | .157 | 1.374 | 1.752 | .146 | .750 | 1.705 | 4.921 |
| 28 | 3.346 | .811 | 1.839 | .157 | 1.563 | 2.000 | .146 | .750 | 1.705 | 4.921 |
| 32 | 3.346 | .874 | 2.102 | .157 | 1.752 | 2.244 | .169 | .937 | 2.035 | 4.921 |
| 36 | 4.133 | .874 | 2.346 | .157 | 1.937 | 2.500 | .169 | 1.250 | 2.283 | 5.315 |
| 40 | 5.118 | .874 | 2.579 | .157 | 2.185 | 2.752 | .169 | 1.375 | 2.579 | 5.709 |

Millimeters

| Shell Size | L Max. | M + 0.4 - 0.0 | N + 0.00 - 0.15 | P ± 0.2 | R ± 0.1 | S ± 0.3 | T + 0.1 - 0.0 | Z Max. | KK Max. | LL Max. |
|------------|--------|---------------|-----------------|---------|---------|---------|---------------|--------|---------|---------|
| 10SL | 60 | 14.2 | 18.2 | 2.8 | 18.2 | 25.4 | 3.2 | 5.58 | 22.7 | 120 |
| 14S | 62 | 14.2 | 24.6 | 3.2 | 23.0 | 30.0 | 3.2 | 7.92 | 27.5 | 120 |
| 16S | 70 | 14.2 | 27.4 | 3.2 | 24.6 | 32.5 | 3.2 | 11.09 | 30.0 | 120 |
| 16 | 70 | 19.0 | 27.4 | 3.2 | 24.6 | 32.5 | 3.2 | 11.09 | 30.0 | 125 |
| 18 | 77 | 19.0 | 30.8 | 4.0 | 27.0 | 35.0 | 3.2 | 14.27 | 33.0 | 125 |
| 20 | 77 | 19.0 | 34.2 | 4.0 | 29.4 | 38.0 | 3.2 | 15.87 | 37.5 | 125 |
| 22 | 77 | 19.0 | 37.4 | 4.0 | 31.8 | 41.0 | 3.2 | 15.87 | 37.5 | 125 |
| 24 | 85 | 20.6 | 40.9 | 4.0 | 34.9 | 44.5 | 3.7 | 19.05 | 43.3 | 125 |
| 28 | 85 | 20.6 | 46.7 | 4.0 | 39.7 | 50.8 | 3.7 | 19.05 | 43.3 | 125 |
| 32 | 85 | 22.2 | 53.4 | 4.0 | 44.5 | 57.0 | 4.3 | 23.79 | 51.7 | 125 |
| 36 | 105 | 22.2 | 59.6 | 4.0 | 49.2 | 63.5 | 4.3 | 31.75 | 58.0 | 135 |
| 40 | 130 | 22.2 | 65.5 | 4.0 | 55.5 | 69.9 | 4.3 | 34.92 | 65.5 | 145 |

All dimensions for reference only.

GT00CF/00CFZ

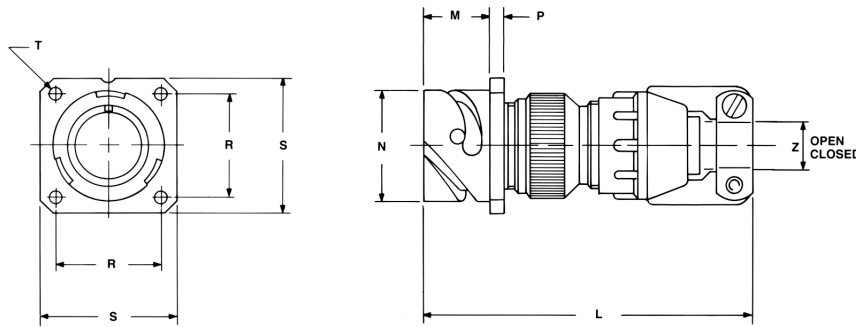
wall mount receptacle for front panel mounting

GT00CF

- Without individual wire sealing grommet
- Environment proof
- Four through mounting holes or optional threaded holes
- Includes clamp to grip and seal jacketed cable

GT00CFZ

- Same as GT00CF except: individual wire sealing grommet included for added moisture protection
- Environment proof
- Four through mounting holes or optional threaded holes
- Includes clamp to grip and seal jacketed cable



Inches

| Shell Size | L Approx. | M + .016 - .000 | N + .000 - .006 | P ± .008 | R ± .004 | S ± .012 | T + .004 - .000 | Z | |
|------------|-----------|-----------------------|-----------------------|-------------|-------------|-------------|-----------------------|-------|--------|
| | | | | | | | | Open | Closed |
| 10SL | 2.740 | .559 | .717 | .110 | .717 | 1.000 | .126 | .312 | .094 |
| 14S | 2.898 | .559 | .969 | .126 | .906 | 1.181 | .126 | .438 | .230 |
| 16S | 2.898 | .559 | 1.079 | .126 | .969 | 1.280 | .126 | .531 | .315 |
| 16 | 3.217 | .748 | 1.079 | .126 | .969 | 1.280 | .126 | .531 | .315 |
| 18 | 3.307 | .748 | 1.213 | .157 | 1.063 | 1.378 | .126 | .625 | .378 |
| 20 | 3.311 | .748 | 1.346 | .157 | 1.157 | 1.496 | .126 | .748 | .445 |
| 22 | 3.350 | .748 | 1.472 | .157 | 1.252 | 1.614 | .126 | .748 | .445 |
| 24 | 3.484 | .811 | 1.610 | .157 | 1.374 | 1.752 | .146 | .937 | .610 |
| 28 | 3.736 | .811 | 1.839 | .157 | 1.563 | 2.000 | .146 | .937 | .610 |
| 32 | 4.142 | .874 | 2.102 | .157 | 1.752 | 2.244 | .169 | 1.250 | .921 |
| 36 | 4.390 | .874 | 2.346 | .157 | 1.937 | 2.500 | .169 | 1.378 | .921 |
| 40 | 4.988 | .874 | 2.579 | .157 | 2.185 | 2.752 | .169 | 1.624 | 1.177 |

Millimeters

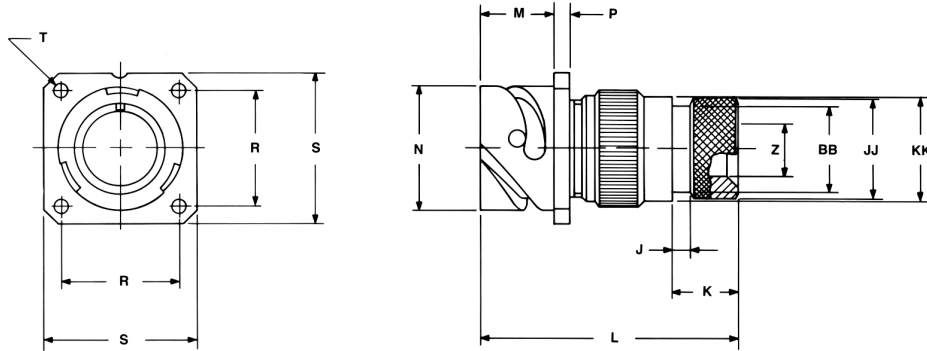
| Shell Size | L Approx. | M + 0.4 - 0.0 | N + 0.00 - 0.15 | P ± 0.2 | R ± 0.1 | S ± 0.3 | T + 0.1 - 0.0 | Z | |
|------------|-----------|---------------------|-----------------------|------------|------------|------------|---------------------|-------|--------|
| | | | | | | | | Open | Closed |
| 10SL | 69.6 | 14.2 | 18.2 | 2.8 | 18.2 | 25.4 | 3.2 | 7.93 | 2.38 |
| 14S | 73.6 | 14.2 | 24.6 | 3.2 | 23.0 | 30.0 | 3.2 | 11.12 | 5.84 |
| 16S | 73.6 | 14.2 | 27.4 | 3.2 | 24.6 | 32.5 | 3.2 | 13.48 | 8.00 |
| 16 | 81.7 | 19.0 | 27.4 | 3.2 | 24.6 | 32.5 | 3.2 | 13.48 | 8.00 |
| 18 | 84.0 | 19.0 | 30.8 | 4.0 | 27.0 | 35.0 | 3.2 | 15.87 | 9.60 |
| 20 | 84.1 | 19.0 | 34.2 | 4.0 | 29.4 | 38.0 | 3.2 | 19.00 | 11.30 |
| 22 | 85.1 | 19.0 | 37.4 | 4.0 | 31.8 | 41.0 | 3.2 | 19.00 | 11.30 |
| 24 | 88.5 | 20.6 | 40.9 | 4.0 | 34.9 | 44.5 | 3.7 | 23.80 | 15.50 |
| 28 | 94.9 | 20.6 | 46.7 | 4.0 | 39.7 | 50.8 | 3.7 | 23.80 | 15.50 |
| 32 | 105.9 | 22.2 | 53.4 | 4.0 | 44.5 | 57.0 | 4.3 | 31.75 | 23.40 |
| 36 | 111.5 | 22.2 | 59.6 | 4.0 | 49.2 | 63.5 | 4.3 | 35.00 | 23.40 |
| 40 | 126.7 | 22.2 | 65.5 | 4.0 | 55.5 | 69.9 | 4.3 | 41.25 | 29.90 |

All dimensions for reference only.

GT00G

wall mount receptacle for front panel mounting

- Four through mounting holes or optional threaded holes
- Includes backshell with individual wire sealing grommet
- For use with heat-shrink tubing
- Environment proof



Inches

| Shell Size | J ± .008 | K ± .020 | L Max. | M + .016 - .000 | N + .000 - .006 | P ± .008 | R ± .004 | S ± .012 | T + .004 - .000 | Z Min. | BB Max. | JJ ± .008 | KK ± .008 |
|------------|-------------|-------------|-----------|-----------------------|-----------------------|-------------|-------------|-------------|-----------------------|-----------|------------|--------------|--------------|
| 10SL | .138 | .461 | 1.969 | .559 | .717 | .110 | .717 | 1.000 | .126 | .303 | .524 | .610 | .669 |
| 14S | .138 | .461 | 1.969 | .559 | .969 | .126 | .906 | 1.181 | .126 | .417 | .669 | .752 | .791 |
| 16S | .138 | .461 | 1.969 | .559 | 1.079 | .126 | .969 | 1.280 | .126 | .531 | .862 | .941 | .925 |
| 16 | .138 | .453 | 2.362 | .748 | 1.079 | .126 | .969 | 1.280 | .126 | .531 | .862 | .941 | .925 |
| 18 | .138 | .453 | 2.362 | .748 | 1.213 | .157 | 1.063 | 1.378 | .126 | .575 | .862 | .941 | 1.043 |
| 20 | .138 | .500 | 2.559 | .748 | 1.346 | .157 | 1.157 | 1.496 | .126 | .736 | 1.031 | 1.165 | 1.189 |
| 22 | .138 | .500 | 2.559 | .748 | 1.472 | .157 | 1.252 | 1.614 | .126 | .819 | 1.031 | 1.165 | 1.323 |
| 24 | .138 | .500 | 2.559 | .811 | 1.610 | .157 | 1.374 | 1.752 | .146 | .969 | 1.358 | 1.488 | 1.421 |
| 28 | .138 | .500 | 2.559 | .811 | 1.839 | .157 | 1.563 | 2.000 | .146 | 1.062 | 1.358 | 1.488 | 1.630 |
| 32 | .138 | .598 | 2.756 | .874 | 2.102 | .157 | 1.752 | 2.244 | .169 | 1.311 | 1.717 | 1.882 | 1.913 |
| 36 | .138 | .598 | 3.150 | .874 | 2.346 | .157 | 1.937 | 2.500 | .169 | 1.516 | 1.717 | 1.882 | 2.157 |
| 40 | .138 | .610 | 3.150 | .874 | 2.579 | 1.57 | 2.185 | 2.752 | .169 | 1.898 | 2.071 | 2.276 | 2.402 |

Millimeters

| Shell Size | J ± 0.2 | K ± 0.5 | L Max. | M + 0.4 - 0.0 | N + 0.00 - 0.15 | P ± 0.2 | R ± 0.1 | S ± 0.3 | T + 0.1 - 0.0 | Z Min. | B Max. | JJ ± 0.2 | KK ± 0.2 |
|------------|------------|------------|-----------|---------------------|-----------------------|------------|------------|------------|---------------------|-----------|-----------|-------------|-------------|
| 10SL | 3.5 | 11.7 | 50 | 14.2 | 18.2 | 2.8 | 18.2 | 25.4 | 3.2 | 7.7 | 13.3 | 15.5 | 17.0 |
| 14S | 3.5 | 11.7 | 50 | 14.2 | 24.6 | 3.2 | 23.0 | 30.0 | 3.2 | 10.6 | 17.0 | 19.1 | 20.1 |
| 16S | 3.5 | 11.7 | 50 | 14.2 | 27.4 | 3.2 | 24.6 | 32.5 | 3.2 | 13.5 | 21.9 | 23.9 | 23.5 |
| 16 | 3.5 | 11.5 | 60 | 19.0 | 27.4 | 3.2 | 24.6 | 32.5 | 3.2 | 13.5 | 21.9 | 23.9 | 23.5 |
| 18 | 3.5 | 11.5 | 60 | 19.0 | 30.8 | 4.0 | 27.0 | 35.0 | 3.2 | 14.6 | 21.9 | 23.9 | 26.5 |
| 20 | 3.5 | 12.7 | 65 | 19.0 | 34.2 | 4.0 | 29.4 | 38.0 | 3.2 | 18.7 | 26.2 | 29.6 | 30.2 |
| 22 | 3.5 | 12.7 | 65 | 19.0 | 37.4 | 4.0 | 31.8 | 41.0 | 3.2 | 20.8 | 26.2 | 29.6 | 33.6 |
| 24 | 3.5 | 12.7 | 65 | 20.6 | 40.9 | 4.0 | 34.9 | 44.5 | 3.7 | 24.6 | 34.5 | 37.8 | 36.1 |
| 28 | 3.5 | 12.7 | 65 | 20.6 | 46.7 | 4.0 | 39.7 | 50.8 | 3.7 | 27.0 | 34.5 | 37.8 | 41.4 |
| 32 | 3.5 | 15.2 | 70 | 22.2 | 53.4 | 4.0 | 44.5 | 57.0 | 4.3 | 33.3 | 43.6 | 47.8 | 48.6 |
| 36 | 3.5 | 15.2 | 80 | 22.2 | 59.6 | 4.0 | 49.2 | 63.5 | 4.3 | 38.5 | 43.6 | 47.8 | 54.8 |
| 40 | 3.5 | 15.5 | 80 | 22.2 | 65.5 | 4.0 | 55.5 | 69.9 | 4.3 | 48.2 | 52.6 | 57.8 | 61.0 |

All dimensions for reference only.

GT00LCF/00LCFZ

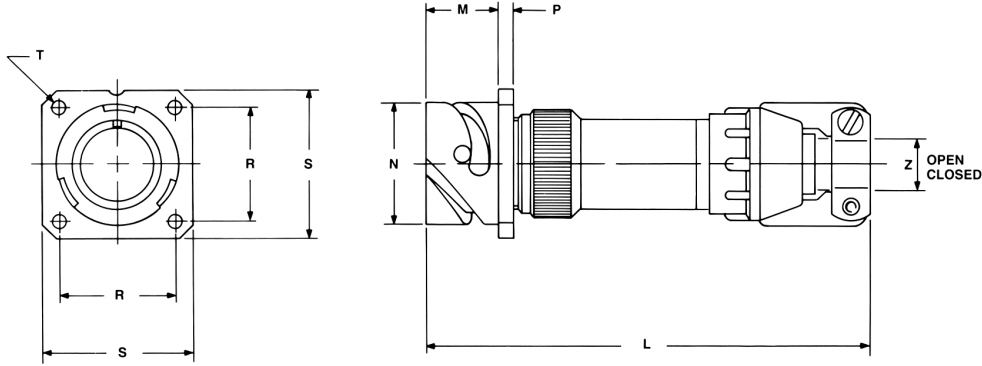
wall mount receptacle for front panel mounting

GT00LCF

- Includes a backshell with extended length to provide more working room for stripped jacketed cable
- Environment proof
- Four through mounting holes or optional threaded holes
- Includes clamp to grip and seal jacketed cable

GT00LCFZ

- Same as GT00LCF except: individual wire sealing grommet included for added moisture protection
- Environment proof
- Four through mounting holes or optional threaded holes
- Includes clamp to grip and seal jacketed cable



Inches

| Shell Size | L Approx. | M + .016 - .000 | N + .000 - .006 | P ± .008 | R ± .004 | S ± .012 | T + .004 - .000 | Z | |
|------------|-----------|-----------------------|-----------------------|-------------|-------------|-------------|-----------------------|-------|--------|
| | | | | | | | | Open | Closed |
| 10SL | 3.811 | .559 | .717 | .110 | .717 | 1.000 | .126 | .312 | .094 |
| 14S | 3.843 | .559 | .969 | .126 | .906 | 1.181 | .126 | .438 | .230 |
| 16S | 3.843 | .559 | 1.079 | .126 | .969 | 1.280 | .126 | .531 | .315 |
| 16 | 4.217 | .748 | 1.079 | .126 | .969 | 1.280 | .126 | .531 | .315 |
| 18 | 4.409 | .748 | 1.213 | .157 | 1.063 | 1.378 | .126 | .625 | .378 |
| 20 | 4.409 | .748 | 1.346 | .157 | 1.157 | 1.496 | .126 | .748 | .445 |
| 22 | 4.413 | .748 | 1.472 | .157 | 1.252 | 1.614 | .126 | .748 | .445 |
| 24 | 4.535 | .811 | 1.610 | .157 | 1.374 | 1.752 | .146 | .937 | .610 |
| 28 | 4.744 | .811 | 1.839 | .157 | 1.563 | 2.000 | .146 | .937 | .610 |
| 32 | 5.079 | .874 | 2.102 | .157 | 1.752 | 2.244 | .169 | 1.250 | .921 |
| 36 | 5.327 | .874 | 2.346 | .157 | 1.937 | 2.500 | .169 | 1.378 | .921 |
| 40 | 5.327 | .874 | 2.579 | .157 | 2.185 | 2.752 | .169 | 1.624 | 1.177 |

Millimeters

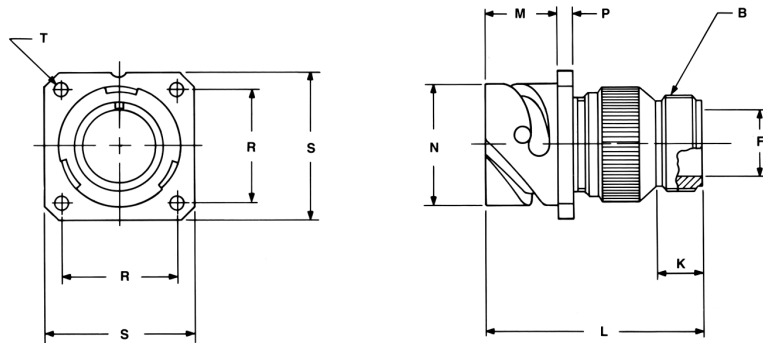
| Shell Size | L Approx. | M + 0.4 - 0.0 | N + 0.00 - 0.15 | P ± 0.2 | R ± 0.1 | S ± 0.3 | T + 0.1 - 0.0 | Z | |
|------------|-----------|---------------------|-----------------------|------------|------------|------------|---------------------|-------|--------|
| | | | | | | | | Open | Closed |
| 10SL | 96.8 | 14.2 | 18.2 | 2.8 | 18.2 | 25.4 | 3.2 | 7.93 | 2.38 |
| 14S | 97.6 | 14.2 | 24.6 | 3.2 | 23.0 | 30.0 | 3.2 | 11.12 | 5.84 |
| 16S | 97.6 | 14.2 | 27.4 | 3.2 | 24.6 | 32.5 | 3.2 | 13.48 | 8.00 |
| 16 | 107.1 | 19.0 | 27.4 | 3.2 | 24.6 | 32.5 | 3.2 | 13.48 | 8.00 |
| 18 | 112.0 | 19.0 | 30.8 | 4.0 | 27.0 | 35.0 | 3.2 | 15.87 | 9.60 |
| 20 | 112.0 | 19.0 | 34.2 | 4.0 | 29.4 | 38.0 | 3.2 | 19.00 | 11.30 |
| 22 | 112.1 | 19.0 | 37.4 | 4.0 | 31.8 | 41.0 | 3.2 | 19.00 | 11.30 |
| 24 | 115.2 | 20.6 | 40.9 | 4.0 | 34.9 | 44.5 | 3.7 | 23.80 | 15.50 |
| 28 | 120.5 | 20.6 | 46.7 | 4.0 | 39.7 | 50.8 | 3.7 | 23.80 | 15.50 |
| 32 | 129.0 | 22.2 | 53.4 | 4.0 | 44.5 | 57.0 | 4.3 | 31.75 | 23.40 |
| 36 | 135.3 | 22.2 | 59.6 | 4.0 | 49.2 | 63.5 | 4.3 | 35.00 | 23.40 |
| 40 | 135.3 | 22.2 | 65.5 | 4.0 | 55.5 | 69.9 | 4.3 | 41.25 | 29.90 |

All dimensions for reference only.

GT00R

wall mount receptacle for front panel mounting

- Four through mounting holes or optional threaded holes
- With individual wire sealing grommet
- Includes backshell for conduit termination
- Environment proof



Inches

| Shell Size | B Thread Class 2A | F Min. | K Min. | L Max. | M + .016 - .000 | N + .000 - .006 | P ± .008 | R ± .004 | S ± .012 | T + .004 - .000 |
|------------|-------------------------|-----------|-----------|-----------|-----------------------|-----------------------|-------------|-------------|-------------|-----------------------|
| 10SL | .6250-24 UNEF | .409 | .374 | 1.969 | .559 | .717 | .110 | .717 | 1.000 | .126 |
| 14S | .7500-20 UNEF | .520 | .374 | 1.969 | .559 | .969 | .126 | .906 | 1.181 | .126 |
| 16S | .8750-20 UNEF | .638 | .374 | 1.969 | .559 | 1.079 | .126 | .969 | 1.280 | .126 |
| 16 | .8750-20 UNEF | .638 | .374 | 2.362 | .748 | 1.079 | .126 | .969 | 1.280 | .126 |
| 18 | 1.0000-20 UNEF | .756 | .374 | 2.362 | .748 | 1.213 | .157 | 1.063 | 1.378 | .126 |
| 20 | 1.1875-18 UNEF | .866 | .374 | 2.362 | .748 | 1.346 | .157 | 1.157 | 1.496 | .126 |
| 22 | 1.1875-18 UNEF | .965 | .374 | 2.362 | .748 | 1.472 | .157 | 1.252 | 1.614 | .126 |
| 24 | 1.4375-18 UNEF | 1.094 | .374 | 2.559 | .811 | 1.610 | .157 | 1.374 | 1.752 | .146 |
| 28 | 1.4375-18 UNEF | 1.228 | .374 | 2.559 | .811 | 1.839 | .157 | 1.563 | 2.000 | .146 |
| 32 | 1.7500-18 UNS | 1.488 | .433 | 2.559 | .874 | 2.102 | .157 | 1.752 | 2.244 | .169 |
| 36 | 2.0000-18 UNS | 1.780 | .465 | 3.150 | .874 | 2.346 | .157 | 1.937 | 2.500 | .169 |
| 40 | 2.2500-16 UN | 2.016 | .465 | 3.150 | .874 | 2.579 | .157 | 2.185 | 2.752 | .169 |

Millimeters

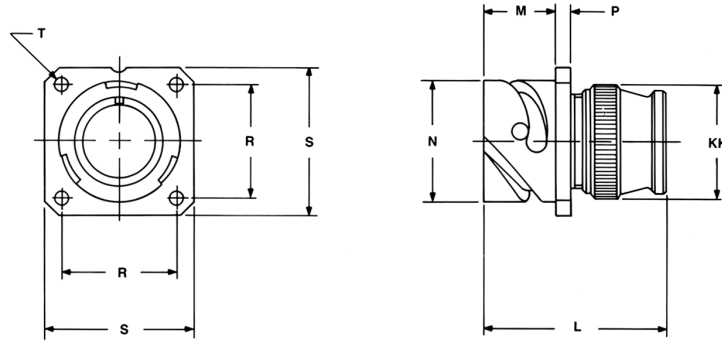
| Shell Size | F Min. | K Min. | L Max. | M + 0.4 - 0.0 | N + 0.00 - 0.15 | P ± 0.2 | R ± 0.1 | S ± 0.3 | T + 0.1 - 0.0 |
|------------|-----------|-----------|-----------|---------------------|-----------------------|------------|------------|------------|---------------------|
| 10SL | 10.4 | 9.5 | 50 | 14.2 | 18.2 | 2.8 | 18.2 | 25.4 | 3.2 |
| 14S | 13.2 | 9.5 | 50 | 14.2 | 24.6 | 3.2 | 23.0 | 30.0 | 3.2 |
| 16S | 16.2 | 9.5 | 50 | 14.2 | 27.4 | 3.2 | 24.6 | 32.5 | 3.2 |
| 16 | 16.2 | 9.5 | 60 | 19.0 | 27.4 | 3.2 | 24.6 | 32.5 | 3.2 |
| 18 | 19.2 | 9.5 | 60 | 19.0 | 30.8 | 4.0 | 27.0 | 35.0 | 3.2 |
| 20 | 22.0 | 9.5 | 60 | 19.0 | 34.2 | 4.0 | 29.4 | 38.0 | 3.2 |
| 22 | 24.5 | 9.5 | 60 | 19.0 | 37.4 | 4.0 | 31.8 | 41.0 | 3.2 |
| 24 | 27.8 | 9.5 | 65 | 20.6 | 40.9 | 4.0 | 34.9 | 44.5 | 3.7 |
| 28 | 31.2 | 9.5 | 65 | 20.6 | 46.7 | 4.0 | 39.7 | 50.8 | 3.7 |
| 32 | 37.8 | 11.0 | 65 | 22.2 | 53.4 | 4.0 | 44.5 | 57.0 | 4.3 |
| 36 | 45.2 | 11.8 | 80 | 22.2 | 59.6 | 4.0 | 49.2 | 63.5 | 4.3 |
| 40 | 51.2 | 11.8 | 80 | 22.2 | 65.5 | 4.0 | 55.5 | 69.9 | 4.3 |

All dimensions for reference only.

GT00RV

wall mount receptacle for front panel mounting

- Four through mounting holes or optional threaded holes
- Includes wire sealing grommet
- For use with individual wires
- Environment proof



Inches

| Shell Size | L Max. | M + .016 - .000 | N + .000 - .006 | P ± .008 | R ± .004 | S ± .012 | T + .004 - .000 | KK Max. |
|------------|--------|-----------------------|-----------------------|-------------|-------------|-------------|-----------------------|---------|
| 10SL | 1.890 | .559 | .717 | .110 | .717 | 1.000 | .126 | .787 |
| 14S | 1.890 | .559 | .969 | .126 | .906 | 1.181 | .126 | .945 |
| 16S | 1.890 | .559 | 1.079 | .126 | .969 | 1.280 | .126 | 1.024 |
| 16 | 2.205 | .748 | 1.079 | .126 | .969 | 1.280 | .126 | 1.024 |
| 18 | 2.244 | .748 | 1.213 | .157 | 1.063 | 1.378 | .126 | 1.161 |
| 20 | 2.244 | .748 | 1.346 | .157 | 1.157 | 1.496 | .126 | 1.299 |
| 22 | 2.244 | .748 | 1.472 | .157 | 1.252 | 1.614 | .126 | 1.417 |
| 24 | 2.244 | .811 | 1.610 | .157 | 1.374 | 1.752 | .146 | 1.575 |
| 28 | 2.244 | .811 | 1.839 | .157 | 1.563 | 2.000 | .146 | 1.811 |
| 32 | 2.362 | .874 | 2.102 | .157 | 1.752 | 2.244 | .169 | 2.028 |
| 36 | 2.362 | .874 | 2.346 | .157 | 1.937 | 2.500 | .169 | 2.283 |
| 40 | 2.362 | .874 | 2.579 | .157 | 2.185 | 2.752 | .169 | 2.539 |

Millimeters

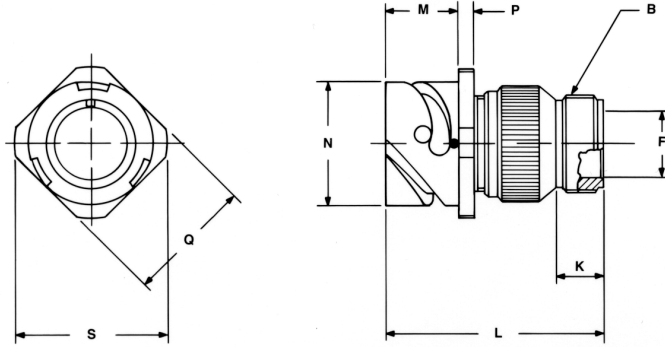
| Shell Size | L Max. | M + 0.4 - 0.0 | N + 0.00 - 0.15 | P ± 0.2 | R ± 0.1 | S ± 0.3 | T + 0.1 - 0.0 | KK Max. |
|------------|--------|---------------------|-----------------------|------------|------------|------------|---------------------|---------|
| 10SL | 48.0 | 14.2 | 18.2 | 2.8 | 18.2 | 25.4 | 3.2 | 20.0 |
| 14S | 48.0 | 14.2 | 24.6 | 3.2 | 23.0 | 30.0 | 3.2 | 24.0 |
| 16S | 48.0 | 14.2 | 27.4 | 3.2 | 24.6 | 32.5 | 3.2 | 26.0 |
| 16 | 56.0 | 19.0 | 27.4 | 3.2 | 24.6 | 32.5 | 3.2 | 26.0 |
| 18 | 57.0 | 19.0 | 30.8 | 4.0 | 27.0 | 35.0 | 3.2 | 29.5 |
| 20 | 57.0 | 19.0 | 34.2 | 4.0 | 29.4 | 38.0 | 3.2 | 33.0 |
| 22 | 57.0 | 19.0 | 37.4 | 4.0 | 31.8 | 41.0 | 3.2 | 36.0 |
| 24 | 57.0 | 20.6 | 40.9 | 4.0 | 34.9 | 44.5 | 3.7 | 40.0 |
| 28 | 57.0 | 20.6 | 46.7 | 4.0 | 39.7 | 50.8 | 3.7 | 46.0 |
| 32 | 60.0 | 22.2 | 53.4 | 4.0 | 44.5 | 57.0 | 4.3 | 51.5 |
| 36 | 60.0 | 22.2 | 59.6 | 4.0 | 49.2 | 63.5 | 4.3 | 58.0 |
| 40 | 60.0 | 22.2 | 65.5 | 4.0 | 55.5 | 69.9 | 4.3 | 64.5 |

All dimensions for reference only.

GT01A

inline receptacle

- Includes backshell for accessory attachment
- Without wire sealing grommet and cable clamp
- Non-environment proof



Inches

| Shell Size | B Thread Class 2A | F Min. | K Min. | L Max. | M + .016 - .000 | N + .000 - .006 | P ± .008 | Q ± .008 | S Max. |
|------------|-------------------------|-----------|-----------|-----------|-----------------------|-----------------------|-------------|-------------|-----------|
| 10SL | .6250-24 UNEF | .409 | .374 | 1.969 | .559 | .717 | .110 | .811 | .992 |
| 14S | .7500-20 UNEF | .520 | .374 | 1.969 | .559 | .969 | .126 | 1.000 | 1.173 |
| 16S | .8750-20 UNEF | .638 | .374 | 1.969 | .559 | 1.079 | .126 | 1.126 | 1.272 |
| 16 | .8750-20 UNEF | .638 | .374 | 2.362 | .748 | 1.079 | .126 | 1.126 | 1.272 |
| 18 | 1.0000-20 UNEF | .756 | .374 | 2.362 | .748 | 1.213 | .157 | 1.248 | 1.370 |
| 20 | 1.1875-18 UNEF | .867 | .374 | 2.362 | .748 | 1.346 | .157 | 1.374 | 1.488 |
| 22 | 1.1875-18 UNEF | .965 | .374 | 2.362 | .748 | 1.472 | .157 | 1.500 | 1.618 |
| 24 | 1.4375-18 UNEF | 1.094 | .374 | 2.560 | .811 | 1.610 | .157 | 1.626 | 1.756 |
| 28 | 1.4375-18 UNEF | 1.228 | .374 | 2.560 | .811 | 1.839 | .157 | 1.874 | 2.004 |
| 32 | 1.7500-18 UNS | 1.488 | .433 | 2.560 | .874 | 2.102 | .157 | 2.126 | 2.248 |
| 36 | 2.0000-18 UNS | 1.780 | .465 | 3.150 | .874 | 2.346 | .157 | 2.386 | 2.504 |
| 40 | 2.2500-16 UN | 2.016 | .465 | 3.150 | .874 | 2.579 | .157 | 2.618 | 2.756 |

Millimeters

| Shell Size | F Min. | K Min. | L Max. | M + 0.4 - 0.0 | N + 0.00 - 0.15 | P ± 0.2 | Q ± 0.2 | S Max. |
|------------|-----------|-----------|-----------|---------------------|-----------------------|------------|------------|-----------|
| 10SL | 10.4 | 9.5 | 50 | 14.2 | 18.2 | 2.8 | 20.6 | 25.2 |
| 14S | 13.2 | 9.5 | 50 | 14.2 | 24.6 | 3.2 | 25.4 | 29.8 |
| 16S | 16.2 | 9.5 | 50 | 14.2 | 27.4 | 3.2 | 28.6 | 32.3 |
| 16 | 16.2 | 9.5 | 60 | 19.0 | 27.4 | 3.2 | 28.6 | 32.3 |
| 18 | 19.2 | 9.5 | 60 | 19.0 | 30.8 | 4.0 | 31.7 | 34.8 |
| 20 | 22.0 | 9.5 | 60 | 19.0 | 34.2 | 4.0 | 34.9 | 37.8 |
| 22 | 24.5 | 9.5 | 60 | 19.0 | 37.4 | 4.0 | 38.1 | 41.1 |
| 24 | 27.8 | 9.5 | 65 | 20.6 | 40.9 | 4.0 | 41.3 | 44.6 |
| 28 | 31.2 | 9.5 | 65 | 20.6 | 46.7 | 4.0 | 47.6 | 50.9 |
| 32 | 37.8 | 11.0 | 65 | 22.2 | 53.4 | 4.0 | 54.0 | 57.1 |
| 36 | 45.2 | 11.8 | 80 | 22.2 | 59.6 | 4.0 | 60.6 | 63.6 |
| 40 | 51.2 | 11.8 | 80 | 22.2 | 65.5 | 4.0 | 66.5 | 70.0 |

All dimensions for reference only.

GT01AF/01F

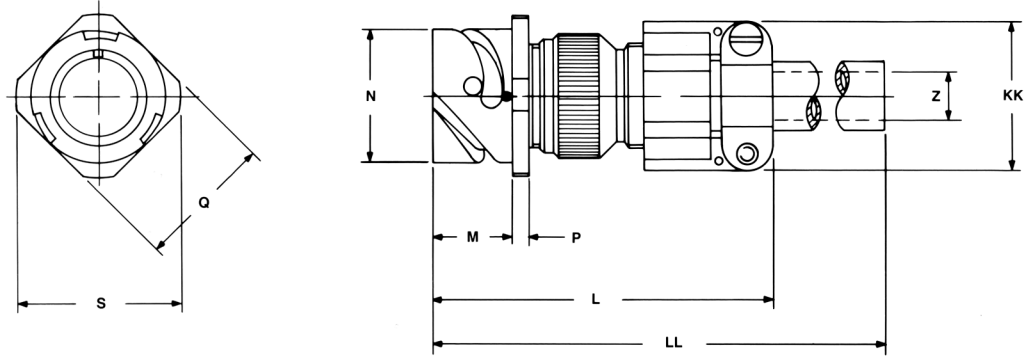
inline receptacle

GT01AF

- With cable clamp
- Wire sealing grommet not included
- Non-environment proof

GT01F

- With wire sealing grommet and cable clamp
- For use with individual wires
- Environment proof



Inches

| Shell Size | L Max. | M +.016 - .000 | N +.000 - .006 | P ± .008 | Q ± .008 | S Max. | Z Nominal | KK Max. | LL Max. |
|------------|--------|-------------------|-------------------|----------|----------|--------|-----------|---------|---------|
| 10SL | 2.362 | .559 | .717 | .110 | .811 | .992 | .220 | .894 | 4.720 |
| 14S | 2.441 | .559 | .969 | .126 | 1.000 | 1.173 | .312 | 1.083 | 4.720 |
| 16S | 2.756 | .559 | 1.079 | .126 | 1.126 | 1.272 | .437 | 1.181 | 4.720 |
| 16 | 2.756 | .748 | 1.079 | .126 | 1.126 | 1.272 | .437 | 1.181 | 4.921 |
| 18 | 3.031 | .748 | 1.213 | .157 | 1.248 | 1.370 | .562 | 1.300 | 4.921 |
| 20 | 3.031 | .748 | 1.346 | .157 | 1.374 | 1.488 | .625 | 1.476 | 4.921 |
| 22 | 3.031 | .748 | 1.472 | .157 | 1.500 | 1.618 | .625 | 1.476 | 4.921 |
| 24 | 3.346 | .811 | 1.610 | .157 | 1.626 | 1.756 | .750 | 1.705 | 4.921 |
| 28 | 3.346 | .811 | 1.839 | .157 | 1.874 | 2.004 | .750 | 1.705 | 4.921 |
| 32 | 3.346 | .874 | 2.102 | .157 | 2.126 | 2.248 | .937 | 2.035 | 4.921 |
| 36 | 4.134 | .874 | 2.346 | .157 | 2.386 | 2.504 | 1.250 | 2.283 | 5.315 |
| 40 | 5.118 | .874 | 2.579 | .157 | 2.618 | 2.756 | 1.375 | 2.579 | 5.709 |

Millimeters

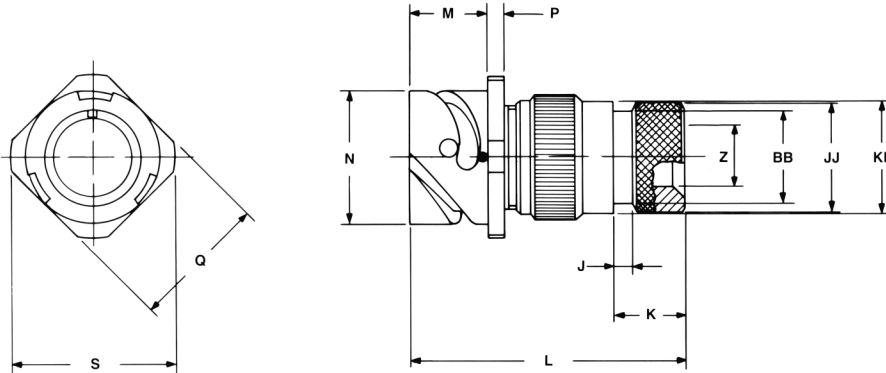
| Shell Size | L Max. | M + 0.4 - 0.0 | N + 0.00 - 0.15 | P ± 0.2 | Q ± 0.2 | S Max. | Z Nominal | KK Max. | LL Max. |
|------------|--------|------------------|--------------------|---------|---------|--------|-----------|---------|---------|
| 10SL | 60 | 14.2 | 18.2 | 2.8 | 20.6 | 25.2 | 5.58 | 22.7 | 120 |
| 14S | 62 | 14.2 | 24.6 | 3.2 | 25.4 | 29.8 | 7.92 | 27.5 | 120 |
| 16S | 70 | 14.2 | 27.4 | 3.2 | 28.6 | 32.3 | 11.09 | 30.0 | 120 |
| 16 | 70 | 19.0 | 27.4 | 3.2 | 28.6 | 32.3 | 11.09 | 30.0 | 125 |
| 18 | 77 | 19.0 | 30.8 | 4.0 | 31.7 | 34.8 | 14.27 | 33.0 | 125 |
| 20 | 77 | 19.0 | 34.2 | 4.0 | 34.9 | 37.8 | 15.87 | 37.5 | 125 |
| 22 | 77 | 19.0 | 37.4 | 4.0 | 38.1 | 41.1 | 15.87 | 37.5 | 125 |
| 24 | 85 | 20.6 | 40.9 | 4.0 | 41.3 | 44.6 | 19.05 | 43.3 | 125 |
| 28 | 85 | 20.6 | 46.7 | 4.0 | 47.6 | 50.9 | 19.05 | 43.3 | 125 |
| 32 | 85 | 22.2 | 53.4 | 4.0 | 54.0 | 57.1 | 23.79 | 51.7 | 125 |
| 36 | 105 | 22.2 | 59.6 | 4.0 | 60.6 | 63.6 | 31.75 | 58.0 | 135 |
| 40 | 130 | 22.2 | 65.5 | 4.0 | 66.5 | 70.0 | 34.92 | 65.5 | 145 |

All dimensions for reference only.

GT01G

inline receptacle

- Includes wire sealing grommet
- For use with heat-shrink tubing
- Environment proof



Inches

| Shell Size | J ± .008 | K ± .020 | L Max. | M + .016 - .000 | N + .000 - .006 | P ± .008 | Q ± .008 | S Max. | Z Min. | BB Max. | JJ ± .008 | KK ± .008 |
|------------|-------------|-------------|-----------|-----------------------|-----------------------|-------------|-------------|-----------|-----------|------------|--------------|--------------|
| 10SL | .138 | .461 | 1.969 | .559 | .717 | .110 | .811 | .992 | .303 | .524 | .610 | .669 |
| 14S | .138 | .461 | 1.969 | .559 | .969 | .126 | 1.000 | 1.173 | .417 | .669 | .752 | .791 |
| 16S | .138 | .461 | 1.969 | .559 | 1.079 | .126 | 1.126 | 1.272 | .531 | .862 | .941 | .925 |
| 16 | .138 | .453 | 2.362 | .748 | 1.079 | .126 | 1.126 | 1.272 | .531 | .862 | .941 | .925 |
| 18 | .138 | .453 | 2.362 | .748 | 1.213 | .157 | 1.248 | 1.370 | .575 | .862 | .941 | 1.043 |
| 20 | .138 | .500 | 2.559 | .748 | 1.346 | .157 | 1.374 | 1.488 | .736 | 1.031 | 1.165 | 1.189 |
| 22 | .138 | .500 | 2.559 | .748 | 1.472 | .157 | 1.500 | 1.618 | .819 | 1.031 | 1.165 | 1.323 |
| 24 | .138 | .500 | 2.559 | .811 | 1.610 | .157 | 1.626 | 1.756 | .969 | 1.358 | 1.488 | 1.421 |
| 28 | .138 | .500 | 2.559 | .811 | 1.839 | .157 | 1.874 | 2.004 | 1.063 | 1.358 | 1.488 | 1.630 |
| 32 | .138 | .598 | 2.756 | .874 | 2.102 | .157 | 2.126 | 2.248 | 1.311 | 1.717 | 1.882 | 1.913 |
| 36 | .138 | .598 | 3.150 | .874 | 2.346 | .157 | 2.386 | 2.504 | 1.516 | 1.717 | 1.882 | 2.157 |
| 40 | .138 | .610 | 3.150 | .874 | 2.579 | 1.57 | 2.618 | 2.756 | 1.898 | 2.071 | 2.276 | 2.402 |

Millimeters

| Shell Size | J ± 0.2 | K ± 0.5 | L Max. | M + 0.4 - 0.0 | N + 0.00 - 0.15 | P ± 0.2 | Q ± 0.2 | S Max. | Z Min. | B Max. | JJ ± 0.2 | KK ± 0.2 |
|------------|------------|------------|-----------|---------------------|-----------------------|------------|------------|-----------|-----------|-----------|-------------|-------------|
| 10SL | 3.5 | 11.7 | 50 | 14.2 | 18.2 | 2.8 | 20.6 | 25.2 | 7.7 | 13.3 | 15.5 | 17.0 |
| 14S | 3.5 | 11.7 | 50 | 14.2 | 24.6 | 3.2 | 25.4 | 29.8 | 10.6 | 17.0 | 19.1 | 20.1 |
| 16S | 3.5 | 11.7 | 50 | 14.2 | 27.4 | 3.2 | 28.6 | 32.3 | 13.5 | 21.9 | 23.9 | 23.5 |
| 16 | 3.5 | 11.5 | 60 | 19.0 | 27.4 | 3.2 | 28.6 | 32.3 | 13.5 | 21.9 | 23.9 | 23.5 |
| 18 | 3.5 | 11.5 | 60 | 19.0 | 30.8 | 4.0 | 31.7 | 34.8 | 14.6 | 21.9 | 23.9 | 26.5 |
| 20 | 3.5 | 12.7 | 65 | 19.0 | 34.2 | 4.0 | 34.9 | 37.8 | 18.7 | 26.2 | 29.6 | 30.2 |
| 22 | 3.5 | 12.7 | 65 | 19.0 | 37.4 | 4.0 | 38.1 | 41.1 | 20.8 | 26.2 | 29.6 | 33.6 |
| 24 | 3.5 | 12.7 | 65 | 20.6 | 40.9 | 4.0 | 41.3 | 44.6 | 24.6 | 34.5 | 37.8 | 36.1 |
| 28 | 3.5 | 12.7 | 65 | 20.6 | 46.7 | 4.0 | 47.6 | 50.9 | 27.0 | 34.5 | 37.8 | 41.4 |
| 32 | 3.5 | 15.2 | 70 | 22.2 | 53.4 | 4.0 | 54.0 | 57.1 | 33.3 | 43.6 | 47.8 | 48.6 |
| 36 | 3.5 | 15.2 | 80 | 22.2 | 59.6 | 4.0 | 60.6 | 63.6 | 38.5 | 43.6 | 47.8 | 54.8 |
| 40 | 3.5 | 15.5 | 80 | 22.2 | 65.5 | 4.0 | 66.5 | 70.0 | 48.2 | 52.6 | 57.8 | 61.0 |

All dimensions for reference only.

GT01LCF/01LCFZ

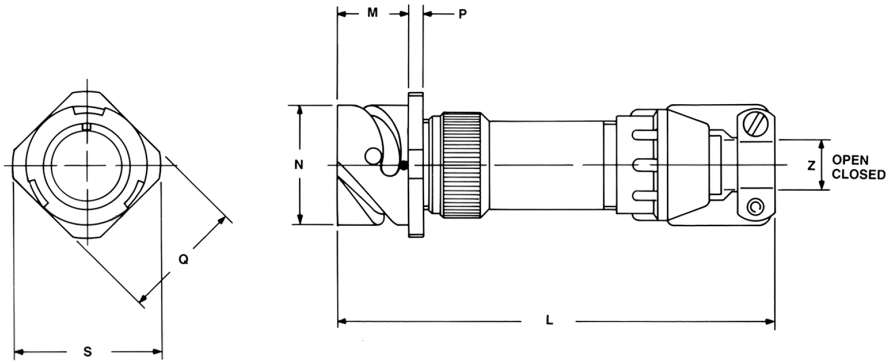
inline receptacle

GT01LCF

- Long backshell provides more working room for stripped jacketed cable
- Includes cable clamp to grip and seal jacketed cable
- Environment proof

GT01LCFZ

- Same as GT01LCF except: individual wire sealing grommet included for added moisture protection
- Environment proof



Inches

| Shell Size | L Approx. | M + .016 - .000 | N + .000 - .006 | P ± .008 | Q ± .008 | S Max. | Z | |
|------------|-----------|-----------------------|-----------------------|-------------|-------------|-----------|-------|--------|
| | | | | | | | Open | Closed |
| 10SL | 3.811 | .559 | .717 | .110 | .811 | .992 | .312 | .094 |
| 14S | 3.843 | .559 | .969 | .126 | 1.000 | 1.173 | .438 | .230 |
| 16S | 3.843 | .559 | 1.079 | .126 | 1.126 | 1.272 | .531 | .315 |
| 16 | 4.217 | .748 | 1.079 | .126 | 1.126 | 1.272 | .531 | .315 |
| 18 | 4.409 | .748 | 1.213 | .157 | 1.248 | 1.370 | .625 | .378 |
| 20 | 4.409 | .748 | 1.346 | .157 | 1.374 | 1.488 | .748 | .445 |
| 22 | 4.413 | .748 | 1.472 | .157 | 1.500 | 1.618 | .748 | .445 |
| 24 | 4.535 | .811 | 1.610 | .157 | 1.626 | 1.756 | .937 | .610 |
| 28 | 4.744 | .811 | 1.839 | .157 | 1.874 | 2.004 | .937 | .610 |
| 32 | 5.079 | .874 | 2.102 | .157 | 2.126 | 2.248 | 1.250 | .921 |
| 36 | 5.327 | .874 | 2.346 | .157 | 2.386 | 2.504 | 1.378 | .921 |
| 40 | 5.327 | .874 | 2.579 | .157 | 2.618 | 2.756 | 1.624 | 1.177 |

Millimeters

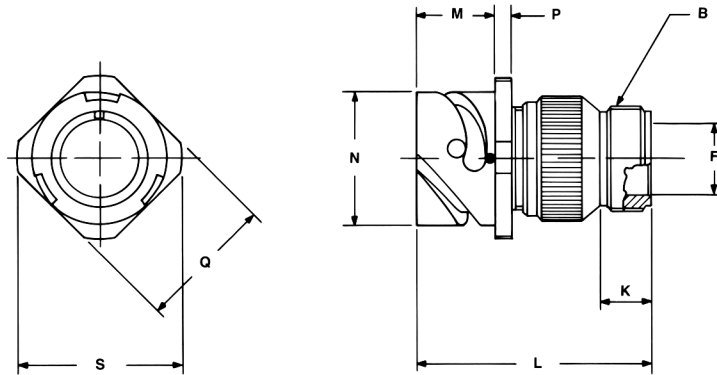
| Shell Size | L Approx. | M + 0.4 - 0.0 | N + 0.00 - 0.15 | P ± 0.2 | Q ± 0.2 | S Max. | Z | |
|------------|-----------|---------------------|-----------------------|------------|------------|-----------|-------|--------|
| | | | | | | | Open | Closed |
| 10SL | 96.8 | 14.2 | 18.2 | 2.8 | 20.6 | 25.2 | 7.93 | 2.38 |
| 14S | 97.6 | 14.2 | 24.6 | 3.2 | 25.4 | 29.8 | 11.12 | 5.84 |
| 16S | 97.6 | 14.2 | 27.4 | 3.2 | 28.6 | 32.3 | 13.48 | 8.00 |
| 16 | 107.1 | 19.0 | 27.4 | 3.2 | 28.6 | 32.3 | 13.48 | 8.00 |
| 18 | 112.0 | 19.0 | 30.8 | 4.0 | 31.7 | 34.8 | 15.87 | 9.60 |
| 20 | 112.0 | 19.0 | 34.2 | 4.0 | 34.9 | 37.8 | 19.00 | 11.30 |
| 22 | 112.1 | 19.0 | 37.4 | 4.0 | 38.1 | 41.1 | 19.00 | 11.30 |
| 24 | 115.2 | 20.6 | 40.9 | 4.0 | 41.3 | 44.6 | 23.80 | 15.50 |
| 28 | 120.5 | 20.6 | 46.7 | 4.0 | 47.6 | 50.9 | 23.80 | 15.50 |
| 32 | 129.0 | 22.2 | 53.4 | 4.0 | 54.0 | 57.1 | 31.75 | 23.40 |
| 36 | 135.3 | 22.2 | 59.6 | 4.0 | 60.6 | 63.6 | 35.00 | 23.40 |
| 40 | 135.3 | 22.2 | 65.5 | 4.0 | 66.5 | 70.0 | 41.25 | 29.90 |

All dimensions for reference only.

GT01R

inline receptacle

- With individual wire sealing grommet
- Includes backshell for conduit termination
- Environment proof



Inches

| Shell Size | B Thread Class 2A | F Min. | K Min. | L Max. | M + .016 - .000 | N + .000 - .006 | P ± .008 | Q ± .008 | S Max. |
|------------|-------------------------|-----------|-----------|-----------|-----------------------|-----------------------|-------------|-------------|-----------|
| 10SL | .6250-24 UNEF | .409 | .374 | 1.969 | .559 | .717 | .110 | .811 | .992 |
| 14S | .7500-20 UNEF | .520 | .374 | 1.969 | .559 | .969 | .126 | 1.000 | 1.173 |
| 16S | .8750-20 UNEF | .638 | .374 | 1.969 | .559 | 1.079 | .126 | 1.126 | 1.272 |
| 16 | .8750-20 UNEF | .638 | .374 | 2.362 | .748 | 1.079 | .126 | 1.126 | 1.272 |
| 18 | 1.0000-20 UNEF | .756 | .374 | 2.362 | .748 | 1.213 | .157 | 1.248 | 1.370 |
| 20 | 1.1875-18 UNEF | .867 | .374 | 2.362 | .748 | 1.346 | .157 | 1.374 | 1.488 |
| 22 | 1.1875-18 UNEF | .965 | .374 | 2.362 | .748 | 1.472 | .157 | 1.500 | 1.618 |
| 24 | 1.4375-18 UNEF | 1.094 | .374 | 2.560 | .811 | 1.610 | .157 | 1.626 | 1.756 |
| 28 | 1.4375-18 UNEF | 1.228 | .374 | 2.560 | .811 | 1.839 | .157 | 1.874 | 2.004 |
| 32 | 1.7500-18 UNS | 1.488 | .433 | 2.560 | .874 | 2.102 | .157 | 2.126 | 2.248 |
| 36 | 2.0000-18 UNS | 1.780 | .465 | 3.150 | .874 | 2.346 | .157 | 2.386 | 2.504 |
| 40 | 2.2500-16 UN | 2.016 | .465 | 3.150 | .874 | 2.579 | .157 | 2.618 | 2.756 |

Millimeters

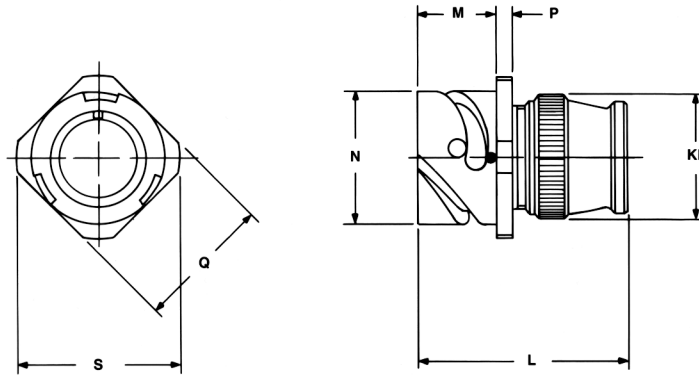
| Shell Size | F Min. | K Min. | L Max. | M + 0.4 - 0.0 | N + 0.00 - 0.15 | P ± 0.2 | Q ± 0.2 | S Max. |
|------------|-----------|-----------|-----------|---------------------|-----------------------|------------|------------|-----------|
| 10SL | 10.4 | 9.5 | 50 | 14.2 | 18.2 | 2.8 | 20.6 | 25.2 |
| 14S | 13.2 | 9.5 | 50 | 14.2 | 24.6 | 3.2 | 25.4 | 29.8 |
| 16S | 16.2 | 9.5 | 50 | 14.2 | 27.4 | 3.2 | 28.6 | 32.3 |
| 16 | 16.2 | 9.5 | 60 | 19.0 | 27.4 | 3.2 | 28.6 | 32.3 |
| 18 | 19.2 | 9.5 | 60 | 19.0 | 30.8 | 4.0 | 31.7 | 34.8 |
| 20 | 22.0 | 9.5 | 60 | 19.0 | 34.2 | 4.0 | 34.9 | 37.8 |
| 22 | 24.5 | 9.5 | 60 | 19.0 | 37.4 | 4.0 | 38.1 | 41.1 |
| 24 | 27.8 | 9.5 | 65 | 20.6 | 40.9 | 4.0 | 41.3 | 44.6 |
| 28 | 31.2 | 9.5 | 65 | 20.6 | 46.7 | 4.0 | 47.6 | 50.9 |
| 32 | 37.8 | 11.0 | 65 | 22.2 | 53.4 | 4.0 | 54.0 | 57.1 |
| 36 | 45.2 | 11.8 | 80 | 22.2 | 59.6 | 4.0 | 60.6 | 63.6 |
| 40 | 51.2 | 11.8 | 80 | 22.2 | 65.5 | 4.0 | 66.5 | 70.0 |

All dimensions for reference only.

GT01RV

inline receptacle

- Includes wire sealing grommet
- For use with individual wires
- Environment proof



Inches

| Shell Size | L Max. | M + .016 - .000 | N + .000 - .006 | P ± .008 | Q ± .008 | S Max. | KK Max. |
|------------|--------|-----------------------|-----------------------|-------------|-------------|--------|---------|
| 10SL | 1.890 | .559 | .717 | .110 | .811 | .992 | .787 |
| 14S | 1.890 | .559 | .969 | .126 | 1.000 | 1.173 | .945 |
| 16S | 1.890 | .559 | 1.079 | .126 | 1.126 | 1.272 | 1.024 |
| 16 | 2.205 | .748 | 1.079 | .126 | 1.126 | 1.272 | 1.024 |
| 18 | 2.244 | .748 | 1.213 | .157 | 1.248 | 1.370 | 1.161 |
| 20 | 2.244 | .748 | 1.346 | .157 | 1.374 | 1.488 | 1.299 |
| 22 | 2.244 | .748 | 1.472 | .157 | 1.500 | 1.618 | 1.417 |
| 24 | 2.244 | .811 | 1.610 | .157 | 1.626 | 1.756 | 1.575 |
| 28 | 2.244 | .811 | 1.839 | .157 | 1.874 | 2.004 | 1.811 |
| 32 | 2.362 | .874 | 2.102 | .157 | 2.126 | 2.248 | 2.028 |
| 36 | 2.362 | .874 | 2.346 | .157 | 2.386 | 2.504 | 2.283 |
| 40 | 2.362 | .874 | 2.579 | .157 | 2.618 | 2.756 | 2.539 |

Millimeters

| Shell Size | L Max. | M + 0.4 - 0.0 | N + 0.00 - 0.15 | P ± 0.2 | Q ± 0.2 | S Max. | KK Max. |
|------------|--------|---------------------|-----------------------|------------|------------|--------|---------|
| 10SL | 48.0 | 14.2 | 18.2 | 2.8 | 20.6 | 25.2 | 20.0 |
| 14S | 48.0 | 14.2 | 24.6 | 3.2 | 25.4 | 29.8 | 24.0 |
| 16S | 48.0 | 14.2 | 27.4 | 3.2 | 28.6 | 32.3 | 26.0 |
| 16 | 56.0 | 19.0 | 27.4 | 3.2 | 28.6 | 32.3 | 26.0 |
| 18 | 57.0 | 19.0 | 30.8 | 4.0 | 31.7 | 34.8 | 29.5 |
| 20 | 57.0 | 19.0 | 34.2 | 4.0 | 34.9 | 37.8 | 33.0 |
| 22 | 57.0 | 19.0 | 37.4 | 4.0 | 38.1 | 41.1 | 36.0 |
| 24 | 57.0 | 20.6 | 40.9 | 4.0 | 41.3 | 44.6 | 40.0 |
| 28 | 57.0 | 20.6 | 46.7 | 4.0 | 47.6 | 50.9 | 46.0 |
| 32 | 60.0 | 22.2 | 53.4 | 4.0 | 54.0 | 57.1 | 51.5 |
| 36 | 60.0 | 22.2 | 59.6 | 4.0 | 60.6 | 63.6 | 58.0 |
| 40 | 60.0 | 22.2 | 65.5 | 4.0 | 66.5 | 70.0 | 64.5 |

All dimensions for reference only.

GT02R/02RFS

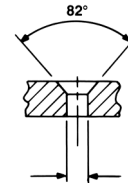
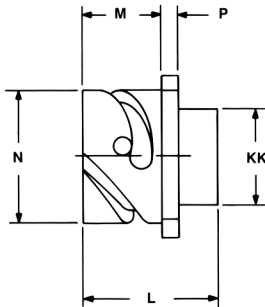
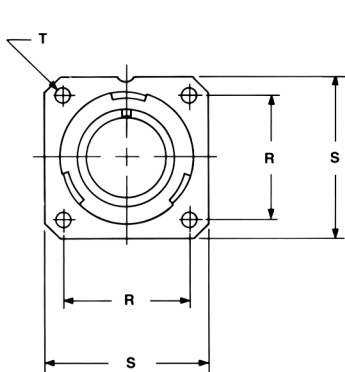
box mount receptacle for front panel mounting

GT02R

- Environment proof when mounted with proper panel sealing gasket (see page 73)
- For rear mounting information see page 79

GT02RFS

- Same as GT02R except mounting holes are countersunk to allow mating of plugs with rubber covered coupling nuts



GT02RFS
Countersunk holes required when mating with GT06CFGG, page 57 and GT08CFGG, page 69

Inches

| Shell Size | L ± .012 | M + .016 - .000 | N + .000 - .006 | P ± .008 | R ± .004 | S ± .012 | T + .004 - .000 | KK Max. |
|------------|-------------|-----------------------|-----------------------|-------------|-------------|-------------|-----------------------|------------|
| 10SL | .972 | .559 | .717 | .110 | .717 | 1.000 | .126 | .626 |
| 14S | .972 | .559 | .969 | .126 | .906 | 1.181 | .126 | .756 |
| 16S | .972 | .559 | 1.079 | .126 | .969 | 1.280 | .126 | .882 |
| 16 | 1.331 | .748 | 1.079 | .126 | .969 | 1.280 | .126 | .882 |
| 18 | 1.331 | .748 | 1.213 | .157 | 1.063 | 1.378 | .126 | 1.008 |
| 20 | 1.331 | .748 | 1.346 | .157 | 1.157 | 1.496 | .126 | 1.142 |
| 22 | 1.331 | .748 | 1.472 | .157 | 1.252 | 1.614 | .126 | 1.268 |
| 24 | 1.406 | .811 | 1.610 | .157 | 1.374 | 1.752 | .146 | 1.390 |
| 28 | 1.406 | .811 | 1.839 | .157 | 1.563 | 2.000 | .146 | 1.630 |
| 32 | 1.469 | .874 | 2.102 | .157 | 1.752 | 2.244 | .169 | 1.882 |
| 36 | 1.469 | .874 | 2.346 | .157 | 1.937 | 2.500 | .169 | 2.063 |
| 40 | 1.469 | .874 | 2.579 | .157 | 2.185 | 2.752 | .169 | 2.323 |

Millimeters

| Shell Size | L ± 0.3 | M + 0.4 - 0.0 | N + 0.00 - 0.15 | P ± 0.2 | R ± 0.1 | S ± 0.3 | T + 0.1 - 0.0 | KK Max. |
|------------|------------|---------------------|-----------------------|------------|------------|------------|---------------------|------------|
| 10SL | 24.7 | 14.2 | 18.2 | 2.8 | 18.2 | 25.4 | 3.2 | 15.9 |
| 14S | 24.7 | 14.2 | 24.6 | 3.2 | 23.0 | 30.0 | 3.2 | 19.2 |
| 16S | 24.7 | 14.2 | 27.4 | 3.2 | 24.6 | 32.5 | 3.2 | 22.4 |
| 16 | 33.8 | 19.0 | 27.4 | 3.2 | 24.6 | 32.5 | 3.2 | 22.4 |
| 18 | 33.8 | 19.0 | 30.8 | 4.0 | 27.0 | 35.0 | 3.2 | 25.6 |
| 20 | 33.8 | 19.0 | 34.2 | 4.0 | 29.4 | 38.0 | 3.2 | 29.0 |
| 22 | 33.8 | 19.0 | 37.4 | 4.0 | 31.8 | 41.0 | 3.2 | 32.2 |
| 24 | 35.7 | 20.6 | 40.9 | 4.0 | 34.9 | 44.5 | 3.7 | 35.3 |
| 28 | 35.7 | 20.6 | 46.7 | 4.0 | 39.7 | 50.8 | 3.7 | 41.4 |
| 32 | 37.3 | 22.2 | 53.4 | 4.0 | 44.5 | 57.0 | 4.3 | 47.8 |
| 36 | 37.3 | 22.2 | 59.6 | 4.0 | 49.2 | 63.5 | 4.3 | 52.4 |
| 40 | 37.3 | 22.2 | 65.5 | 4.0 | 55.5 | 69.9 | 4.3 | 59.0 |

All dimensions for reference only.

GT020R/020RFSM

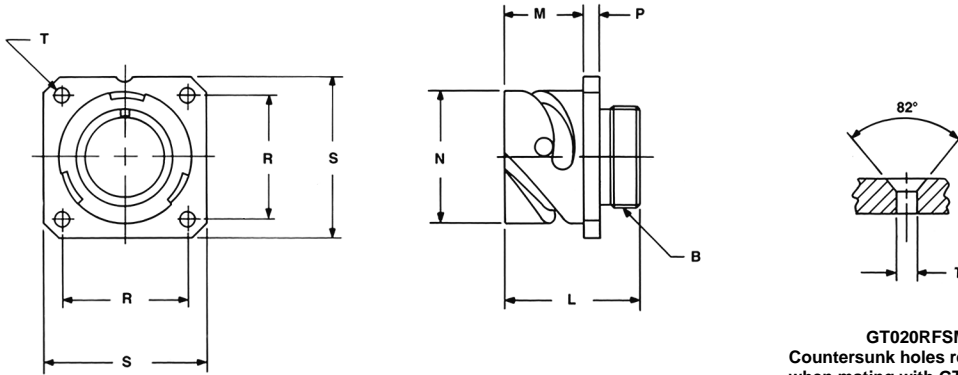
box mount receptacle for front panel mounting

GT020R

- Threaded rear to accept accessory hardware
- Environment proof when mounted with proper panel sealing gasket (see page 73)
- For rear mounting information see page 79

GT020RFSM

- Same as GT020R except mounting holes are countersunk to allow mating of plugs with rubber covered coupling nuts



GT020RFSM
Countersunk holes required
when mating with GT06CFGG,
page 57 and GT08CFGG,
page 69

Inches

| Shell Size | B Thread Class 2A | L ± .012 | M + .016 - .000 | N + .000 - .006 | P ± .008 | R ± .004 | S ± .012 | T + .004 - .000 |
|------------|-------------------------|-------------|-----------------------|-----------------------|-------------|-------------|-------------|-----------------------|
| 10SL | .6250-24UNEF | .972 | .559 | .717 | .110 | .717 | 1.000 | .126 |
| 14S | .7500-20UNEF | .972 | .559 | .969 | .126 | .906 | 1.181 | .126 |
| 16S | .8750-20UNEF | .972 | .559 | 1.079 | .126 | .969 | 1.280 | .126 |
| 16 | .8750-20UNEF | 1.331 | .748 | 1.079 | .126 | .969 | 1.280 | .126 |
| 18 | 1.0000-20UNEF | 1.331 | .748 | 1.213 | .157 | 1.063 | 1.378 | .126 |
| 20 | 1.1250-18UNEF | 1.331 | .748 | 1.346 | .157 | 1.157 | 1.496 | .126 |
| 22 | 1.2500-18UNEF | 1.331 | .748 | 1.472 | .157 | 1.252 | 1.614 | .126 |
| 24 | 1.3750-18UNEF | 1.406 | .811 | 1.610 | .157 | 1.374 | 1.752 | .146 |
| 28 | 1.6250-18UNEF | 1.406 | .811 | 1.839 | .157 | 1.563 | 2.000 | .146 |
| 32 | 1.8750-16UN | 1.469 | .874 | 2.102 | .157 | 1.752 | 2.244 | .169 |
| 36 | 2.0625-16UN | 1.469 | .874 | 2.346 | .157 | 1.937 | 2.500 | .169 |
| 40 | 2.3125-16UN | 1.469 | .874 | 2.579 | .157 | 2.185 | 2.752 | .169 |

Millimeters

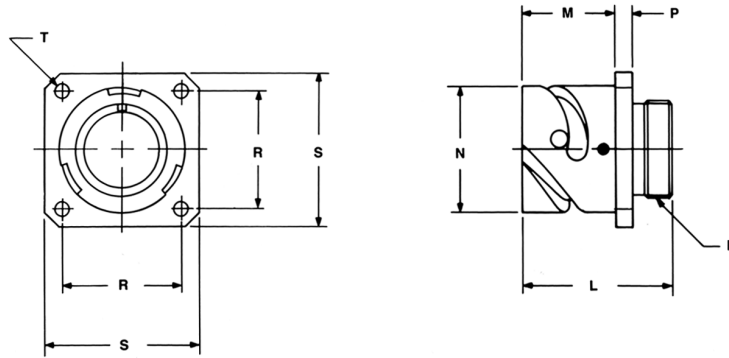
| Shell Size | L ± 0.3 | M + 0.4 - 0.0 | N + 0.00 - 0.15 | P ± 0.2 | R ± 0.1 | S ± 0.3 | T + 0.1 - 0.0 |
|------------|------------|---------------------|-----------------------|------------|------------|------------|---------------------|
| 10SL | 24.7 | 14.2 | 18.2 | 2.8 | 18.2 | 25.4 | 3.2 |
| 14S | 24.7 | 14.2 | 24.6 | 3.2 | 23.0 | 30.0 | 3.2 |
| 16S | 24.7 | 14.2 | 27.4 | 3.2 | 24.6 | 32.5 | 3.2 |
| 16 | 33.8 | 19.0 | 27.4 | 3.2 | 24.6 | 32.5 | 3.2 |
| 18 | 33.8 | 19.0 | 30.8 | 4.0 | 27.0 | 35.0 | 3.2 |
| 20 | 33.8 | 19.0 | 34.2 | 4.0 | 29.4 | 38.0 | 3.2 |
| 22 | 33.8 | 19.0 | 37.4 | 4.0 | 31.8 | 41.0 | 3.2 |
| 24 | 35.7 | 20.6 | 40.9 | 4.0 | 34.9 | 44.5 | 3.7 |
| 28 | 35.7 | 20.6 | 46.7 | 4.0 | 39.7 | 50.8 | 3.7 |
| 32 | 37.3 | 22.2 | 53.4 | 4.0 | 44.5 | 57.0 | 4.3 |
| 36 | 37.3 | 22.2 | 59.6 | 4.0 | 49.2 | 63.5 | 4.3 |
| 40 | 37.3 | 22.2 | 65.5 | 4.0 | 55.5 | 69.9 | 4.3 |

All dimensions for reference only.

GT030

square flange receptacle for rear panel mounting

- Four through mounting holes or optional threaded holes
- Threaded rear to accept accessory attachment
- Environment proof when mounted with a proper sealing gasket (see page 73)



Inches

| Shell Size | B Thread Class 2A | L ± .012 | M + .016 - .000 | N + .000 - .006 | P ± .008 | R ± .004 | S ± .012 | T + .004 - .000 |
|------------|-------------------------|-------------|-----------------------|-----------------------|-------------|-------------|-------------|-----------------------|
| 10SL | .6250-24UNEF | 1.087 | .717 | .717 | .110 | .717 | 1.000 | .126 |
| 14S | .7500-20UNEF | 1.087 | .717 | .969 | .126 | .906 | 1.181 | .126 |
| 16S | .8750-20UNEF | 1.087 | .717 | 1.079 | .126 | .969 | 1.280 | .126 |
| 16 | .8750-20UNEF | 1.331 | .846 | 1.079 | .126 | .969 | 1.280 | .126 |
| 18 | 1.0000-20UNEF | 1.331 | .907 | 1.213 | .157 | 1.063 | 1.378 | .126 |
| 20 | 1.1250-18UNEF | 1.331 | .907 | 1.346 | .157 | 1.157 | 1.496 | .126 |
| 22 | 1.2500-18UNEF | 1.331 | .907 | 1.472 | .157 | 1.252 | 1.614 | .126 |
| 24 | 1.3750-18UNEF | 1.331 | .907 | 1.610 | .157 | 1.374 | 1.752 | .146 |
| 28 | 1.6250-18UNEF | 1.406 | .947 | 1.839 | .157 | 1.563 | 2.000 | .146 |
| 32 | 1.8750-16UN | 1.469 | .947 | 2.102 | .157 | 1.752 | 2.244 | .169 |
| 36 | 2.0625-16UN | 1.469 | .947 | 2.346 | .157 | 1.937 | 2.500 | .169 |
| 40 | 2.3125-16UN | 1.469 | .947 | 2.579 | .157 | 2.185 | 2.752 | .169 |

Millimeters

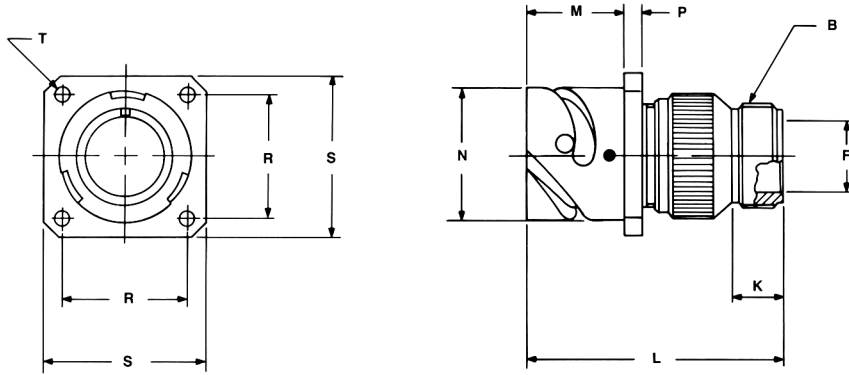
| Shell Size | L ± 0.3 | M + 0.4 - 0.0 | N + 0.00 - 0.15 | P ± 0.2 | R ± 0.1 | S ± 0.3 | T + 0.1 - 0.0 |
|------------|------------|---------------------|-----------------------|------------|------------|------------|---------------------|
| 10SL | 27.6 | 18.2 | 18.2 | 2.8 | 18.2 | 25.4 | 3.2 |
| 14S | 27.6 | 18.2 | 24.6 | 3.2 | 23.0 | 30.0 | 3.2 |
| 16S | 27.6 | 18.2 | 27.4 | 3.2 | 24.6 | 32.5 | 3.2 |
| 16 | 33.8 | 21.5 | 27.4 | 3.2 | 24.6 | 32.5 | 3.2 |
| 18 | 33.8 | 23.05 | 30.8 | 4.0 | 27.0 | 35.0 | 3.2 |
| 20 | 33.8 | 23.05 | 34.2 | 4.0 | 29.4 | 38.0 | 3.2 |
| 22 | 33.8 | 23.05 | 37.4 | 4.0 | 31.8 | 41.0 | 3.2 |
| 24 | 33.8 | 23.05 | 40.9 | 4.0 | 34.9 | 44.5 | 3.7 |
| 28 | 35.7 | 24.05 | 46.7 | 4.0 | 39.7 | 50.8 | 3.7 |
| 32 | 37.3 | 24.05 | 53.4 | 4.0 | 44.5 | 57.0 | 4.3 |
| 36 | 37.3 | 24.05 | 59.6 | 4.0 | 49.2 | 63.5 | 4.3 |
| 40 | 37.3 | 24.05 | 65.5 | 4.0 | 55.5 | 69.9 | 4.3 |

All dimensions for reference only.

GT030A

square flange receptacle for rear panel mounting

- Four through mounting holes or optional threaded holes
- Backshell included for accessory attachment
- Without a wire sealing grommet and cable clamp
- Non-environment proof



Inches

| Shell Size | B Thread Class 2A | F Min. | K Min. | L Max. | M +.016 - .000 | N +.000 - .006 | P ±.008 | R ±.004 | S ±.012 | T +.004 - .000 |
|------------|-------------------|--------|--------|--------|----------------|----------------|---------|---------|---------|----------------|
| 10SL | .6250-24 UNEF | .409 | .374 | 1.969 | .717 | .717 | .110 | .717 | 1.000 | .126 |
| 14S | .7500-20 UNEF | .520 | .374 | 1.969 | .717 | .969 | .126 | .906 | 1.181 | .126 |
| 16S | .8750-20 UNEF | .638 | .374 | 1.969 | .717 | 1.079 | .126 | .969 | 1.280 | .126 |
| 16 | .8750-20 UNEF | .638 | .374 | 2.362 | .846 | 1.079 | .126 | .969 | 1.280 | .126 |
| 18 | 1.0000-20 UNEF | .756 | .374 | 2.362 | .907 | 1.213 | .157 | 1.063 | 1.378 | .126 |
| 20 | 1.1875-18 UNEF | .867 | .374 | 2.362 | .907 | 1.346 | .157 | 1.157 | 1.496 | .126 |
| 22 | 1.1875-18 UNEF | .965 | .374 | 2.362 | .907 | 1.472 | .157 | 1.252 | 1.614 | .126 |
| 24 | 1.4375-18 UNEF | 1.094 | .374 | 2.560 | .907 | 1.610 | .157 | 1.374 | 1.752 | .146 |
| 28 | 1.4375-18 UNEF | 1.228 | .374 | 2.560 | .947 | 1.839 | .157 | 1.563 | 2.000 | .146 |
| 32 | 1.7500-18 UNS | 1.488 | .433 | 2.560 | .947 | 2.102 | .157 | 1.752 | 2.244 | .169 |
| 36 | 2.0000-18 UNS | 1.780 | .465 | 3.150 | .947 | 2.346 | .157 | 1.937 | 2.500 | .169 |
| 40 | 2.2500-16 UN | 2.016 | .465 | 3.150 | .947 | 2.579 | .157 | 2.185 | 2.752 | .169 |

Millimeters

| Shell Size | F Min. | K Min. | L Max. | M + 0.4 - 0.0 | N + 0.00 - 0.15 | P ± 0.2 | R ± 0.1 | S ± 0.3 | T + 0.1 - 0.0 |
|------------|--------|--------|--------|---------------|-----------------|---------|---------|---------|---------------|
| 10SL | 10.4 | 9.5 | 50 | 18.20 | 18.2 | 2.8 | 18.2 | 25.4 | 3.2 |
| 14S | 13.2 | 9.5 | 50 | 18.20 | 24.6 | 3.2 | 23.0 | 30.0 | 3.2 |
| 16S | 16.2 | 9.5 | 50 | 18.20 | 27.4 | 3.2 | 24.6 | 32.5 | 3.2 |
| 16 | 16.2 | 9.5 | 60 | 21.50 | 27.4 | 3.2 | 24.6 | 32.5 | 3.2 |
| 18 | 19.2 | 9.5 | 60 | 23.05 | 30.8 | 4.0 | 27.0 | 35.0 | 3.2 |
| 20 | 22.0 | 9.5 | 60 | 23.05 | 34.2 | 4.0 | 29.4 | 38.0 | 3.2 |
| 22 | 24.5 | 9.5 | 60 | 23.05 | 37.4 | 4.0 | 31.8 | 41.0 | 3.2 |
| 24 | 27.8 | 9.5 | 65 | 23.05 | 40.9 | 4.0 | 34.9 | 44.5 | 3.7 |
| 28 | 31.2 | 9.5 | 65 | 24.05 | 46.7 | 4.0 | 39.7 | 50.8 | 3.7 |
| 32 | 37.8 | 11.0 | 65 | 24.05 | 53.4 | 4.0 | 44.5 | 57.0 | 4.3 |
| 36 | 45.2 | 11.8 | 80 | 24.05 | 59.6 | 4.0 | 49.2 | 63.5 | 4.3 |
| 40 | 51.2 | 11.8 | 80 | 24.05 | 65.5 | 4.0 | 55.5 | 69.9 | 4.3 |

All dimensions for reference only.

GT030AF/030F

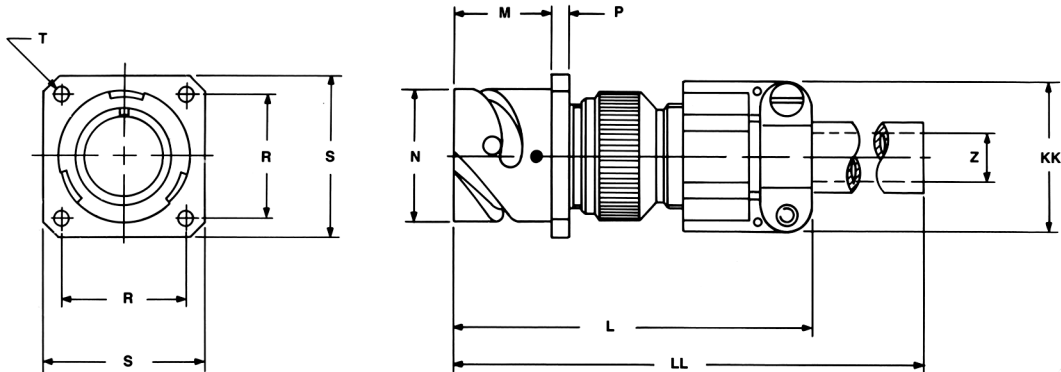
square flange receptacle for rear panel mounting

GT030AF

- Includes a cable clamp
- Wire sealing grommet not included
- Non-environment proof
- Four through mounting holes or optional threaded holes

GT030F

- Includes a wire sealing grommet and cable clamp
- For use with individual wires
- Environment proof
- Four through mounting holes or optional threaded holes



Inches

| Shell Size | L Max. | M + .016 - .000 | N + .000 - .006 | P ± .008 | R ± .004 | S ± .012 | T + .004 - .000 | Z Nominal | KK Max. | LL Max. |
|------------|--------|-----------------------|-----------------------|-------------|-------------|-------------|-----------------------|--------------|------------|------------|
| 10SL | 2.362 | .717 | .717 | .110 | .717 | 1.000 | .126 | .220 | .894 | 4.720 |
| 14S | 2.440 | .717 | .969 | .126 | .906 | 1.181 | .126 | .312 | 1.083 | 4.720 |
| 16S | 2.756 | .717 | 1.079 | .126 | .969 | 1.280 | .126 | .437 | 1.181 | 4.720 |
| 16 | 2.756 | .846 | 1.079 | .126 | .969 | 1.280 | .126 | .437 | 1.181 | 4.921 |
| 18 | 3.031 | .907 | 1.213 | .157 | 1.063 | 1.378 | .126 | .562 | 1.300 | 4.921 |
| 20 | 3.031 | .907 | 1.346 | .157 | 1.157 | 1.496 | .126 | .625 | 1.476 | 4.921 |
| 22 | 3.031 | .907 | 1.472 | .157 | 1.252 | 1.614 | .126 | .625 | 1.476 | 4.921 |
| 24 | 3.346 | .907 | 1.610 | .157 | 1.374 | 1.752 | .146 | .750 | 1.705 | 4.921 |
| 28 | 3.346 | .947 | 1.839 | .157 | 1.563 | 2.000 | .146 | .750 | 1.705 | 4.921 |
| 32 | 3.346 | .947 | 2.102 | .157 | 1.752 | 2.244 | .169 | .937 | 2.035 | 4.921 |
| 36 | 4.134 | .947 | 2.346 | .157 | 1.937 | 2.500 | .169 | 1.250 | 2.283 | 5.315 |
| 40 | 5.118 | .947 | 2.579 | .157 | 2.185 | 2.752 | .169 | 1.375 | 2.579 | 5.709 |

Millimeters

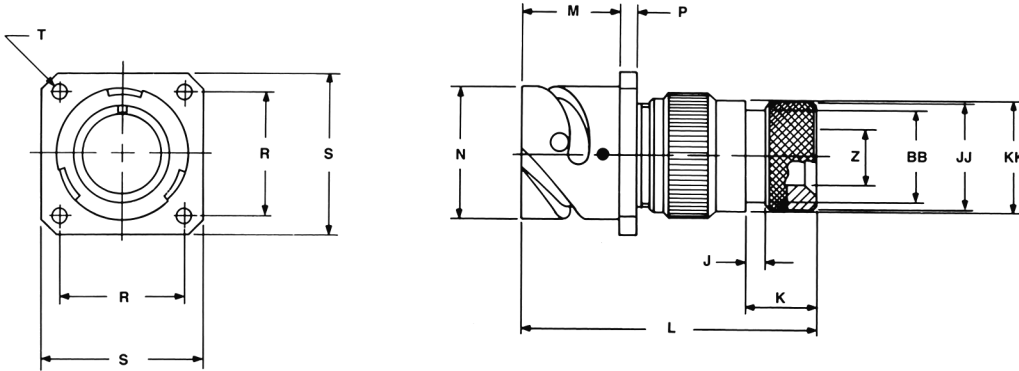
| Shell Size | L Max. | M + 0.4 - 0.0 | N + 0.00 - 0.15 | P ± 0.2 | R ± 0.1 | S ± 0.3 | T + 0.1 - 0.0 | Z Nominal | KK Max. | LL Max. |
|------------|--------|---------------------|-----------------------|------------|------------|------------|---------------------|--------------|------------|------------|
| 10SL | 60 | 18.20 | 18.2 | 2.8 | 18.2 | 25.4 | 3.2 | 5.58 | 22.7 | 120 |
| 14S | 62 | 18.20 | 24.6 | 3.2 | 23.0 | 30.0 | 3.2 | 7.92 | 27.5 | 120 |
| 16S | 70 | 18.20 | 27.4 | 3.2 | 24.6 | 32.5 | 3.2 | 11.09 | 30.0 | 120 |
| 16 | 70 | 21.50 | 27.4 | 3.2 | 24.6 | 32.5 | 3.2 | 11.09 | 30.0 | 125 |
| 18 | 77 | 23.05 | 30.8 | 4.0 | 27.0 | 35.0 | 3.2 | 14.27 | 33.0 | 125 |
| 20 | 77 | 23.05 | 34.2 | 4.0 | 29.4 | 38.0 | 3.2 | 15.87 | 37.5 | 125 |
| 22 | 77 | 23.05 | 37.4 | 4.0 | 31.8 | 41.0 | 3.2 | 15.87 | 37.5 | 125 |
| 24 | 85 | 23.05 | 40.9 | 4.0 | 34.9 | 44.5 | 3.7 | 19.05 | 43.3 | 125 |
| 28 | 85 | 24.05 | 46.7 | 4.0 | 39.7 | 50.8 | 3.7 | 19.05 | 43.3 | 125 |
| 32 | 85 | 24.05 | 53.4 | 4.0 | 44.5 | 57.0 | 4.3 | 23.79 | 51.7 | 125 |
| 36 | 105 | 24.05 | 59.6 | 4.0 | 49.2 | 63.5 | 4.3 | 31.75 | 58.0 | 135 |
| 40 | 130 | 24.05 | 65.5 | 4.0 | 55.5 | 69.9 | 4.3 | 34.92 | 65.5 | 145 |

All dimensions for reference only.

GT030G

square flange receptacle for rear panel mounting

- Four through mounting holes or optional threaded holes
- With wire sealing grommet for individual wires
- Includes backshell for use with heat-shrink tubing
- Environment proof



Inches

| Shell Size | J ± .008 | K ± .020 | L Max. | M + .016 - .000 | N + .000 - .006 | P ± .008 | R ± .004 | S ± .012 | T + .004 - .000 | Z Min. | BB Max. | JJ ± .008 | KK ± .008 |
|------------|-------------|-------------|-----------|-----------------------|-----------------------|-------------|-------------|-------------|-----------------------|-----------|------------|--------------|--------------|
| 10SL | .138 | .461 | 1.969 | .717 | .717 | .110 | .717 | 1.000 | .126 | .303 | .524 | .610 | .669 |
| 14S | .138 | .461 | 1.969 | .717 | .969 | .126 | .906 | 1.181 | .126 | .417 | .669 | .752 | .791 |
| 16S | .138 | .461 | 1.969 | .717 | 1.079 | .126 | .969 | 1.280 | .126 | .531 | .862 | .941 | .925 |
| 16 | .138 | .453 | 2.362 | .846 | 1.079 | .126 | .969 | 1.280 | .126 | .531 | .862 | .941 | .925 |
| 18 | .138 | .453 | 2.362 | .907 | 1.213 | .157 | 1.063 | 1.378 | .126 | .575 | .862 | .941 | 1.043 |
| 20 | .138 | .500 | 2.559 | .907 | 1.346 | .157 | 1.157 | 1.496 | .126 | .736 | 1.031 | 1.165 | 1.189 |
| 22 | .138 | .500 | 2.559 | .907 | 1.472 | .157 | 1.252 | 1.614 | .126 | .819 | 1.031 | 1.165 | 1.323 |
| 24 | .138 | .500 | 2.559 | .907 | 1.610 | .157 | 1.374 | 1.752 | .146 | .969 | 1.358 | 1.488 | 1.421 |
| 28 | .138 | .500 | 2.559 | .947 | 1.839 | .157 | 1.563 | 2.000 | .146 | 1.063 | 1.358 | 1.488 | 1.630 |
| 32 | .138 | .598 | 2.756 | .947 | 2.102 | .157 | 1.752 | 2.244 | .169 | 1.311 | 1.717 | 1.882 | 1.913 |
| 36 | .138 | .598 | 3.150 | .947 | 2.346 | .157 | 1.937 | 2.500 | .169 | 1.516 | 1.717 | 1.882 | 2.157 |
| 40 | .138 | .610 | 3.150 | .947 | 2.579 | 1.57 | 2.185 | 2.752 | .169 | 1.898 | 2.071 | 2.276 | 2.402 |

Millimeters

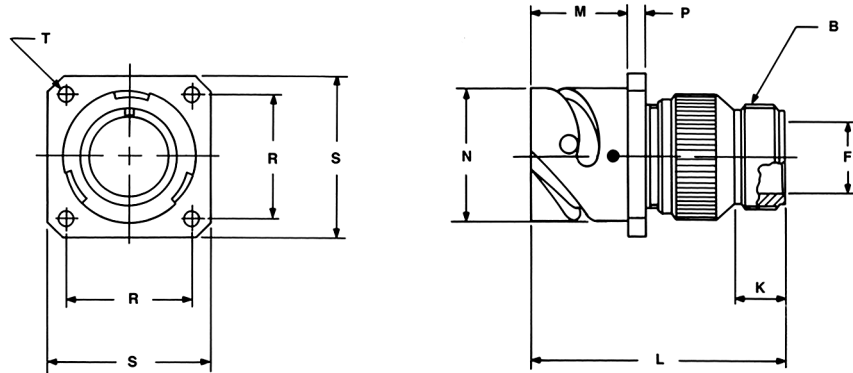
| Shell Size | J ± 0.2 | K ± 0.5 | L Max. | M + 0.4 - 0.0 | N + 0.00 - 0.15 | P ± 0.2 | R ± 0.1 | S ± 0.3 | T + 0.1 - 0.0 | Z Min. | B Max. | JJ ± 0.2 | KK ± 0.2 |
|------------|------------|------------|-----------|---------------------|-----------------------|------------|------------|------------|---------------------|-----------|-----------|-------------|-------------|
| 10SL | 3.5 | 11.7 | 50 | 18.20 | 18.2 | 2.8 | 18.2 | 25.4 | 3.2 | 7.7 | 13.3 | 15.5 | 17.0 |
| 14S | 3.5 | 11.7 | 50 | 18.20 | 24.6 | 3.2 | 23.0 | 30.0 | 3.2 | 10.6 | 17.0 | 19.1 | 20.1 |
| 16S | 3.5 | 11.7 | 50 | 18.20 | 27.4 | 3.2 | 24.6 | 32.5 | 3.2 | 13.5 | 21.9 | 23.9 | 23.5 |
| 16 | 3.5 | 11.5 | 60 | 21.50 | 27.4 | 3.2 | 24.6 | 32.5 | 3.2 | 13.5 | 21.9 | 23.9 | 23.5 |
| 18 | 3.5 | 11.5 | 60 | 23.05 | 30.8 | 4.0 | 27.0 | 35.0 | 3.2 | 14.6 | 21.9 | 23.9 | 26.5 |
| 20 | 3.5 | 12.7 | 65 | 23.05 | 34.2 | 4.0 | 29.4 | 38.0 | 3.2 | 18.7 | 26.2 | 29.6 | 30.2 |
| 22 | 3.5 | 12.7 | 65 | 23.05 | 37.4 | 4.0 | 31.8 | 41.0 | 3.2 | 20.8 | 26.2 | 29.6 | 33.6 |
| 24 | 3.5 | 12.7 | 65 | 23.05 | 40.9 | 4.0 | 34.9 | 44.5 | 3.7 | 24.6 | 34.5 | 37.8 | 36.1 |
| 28 | 3.5 | 12.7 | 65 | 24.05 | 46.7 | 4.0 | 39.7 | 50.8 | 3.7 | 27.0 | 34.5 | 37.8 | 41.4 |
| 32 | 3.5 | 15.2 | 70 | 24.05 | 53.4 | 4.0 | 44.5 | 57.0 | 4.3 | 33.3 | 43.6 | 47.8 | 48.6 |
| 36 | 3.5 | 15.2 | 80 | 24.05 | 59.6 | 4.0 | 49.2 | 63.5 | 4.3 | 38.5 | 43.6 | 47.8 | 54.8 |
| 40 | 3.5 | 15.5 | 80 | 24.05 | 65.5 | 4.0 | 55.5 | 69.9 | 4.3 | 48.2 | 52.6 | 57.8 | 61.0 |

All dimensions for reference only.

GT030R

square flange receptacle for rear panel mounting

- Four through mounting holes or optional threaded holes
- With a wire sealing grommet for individual wires
- Includes backshell for conduit termination
- Environment proof



Inches

| Shell Size | B Thread Class 2A | F Min. | K Min. | L Max. | M + .016 - .000 | N + .000 - .006 | P ± .008 | R ± .004 | S ± .012 | T + .004 - .000 |
|------------|-------------------------|-----------|-----------|-----------|-----------------------|-----------------------|-------------|-------------|-------------|-----------------------|
| 10SL | .6250-24 UNEF | .409 | .374 | 1.969 | .717 | .717 | .110 | .717 | 1.000 | .126 |
| 14S | .7500-20 UNEF | .520 | .374 | 1.969 | .717 | .969 | .126 | .906 | 1.181 | .126 |
| 16S | .8750-20 UNEF | .638 | .374 | 1.969 | .717 | 1.079 | .126 | .969 | 1.280 | .126 |
| 16 | .8750-20 UNEF | .638 | .374 | 2.362 | .846 | 1.079 | .126 | .969 | 1.280 | .126 |
| 18 | 1.0000-20 UNEF | .756 | .374 | 2.362 | .907 | 1.213 | .157 | 1.063 | 1.378 | .126 |
| 20 | 1.1875-18 UNEF | .867 | .374 | 2.362 | .907 | 1.346 | .157 | 1.157 | 1.496 | .126 |
| 22 | 1.1875-18 UNEF | .965 | .374 | 2.362 | .907 | 1.472 | .157 | 1.252 | 1.614 | .126 |
| 24 | 1.4375-18 UNEF | 1.094 | .374 | 2.560 | .907 | 1.610 | .157 | 1.374 | 1.752 | .146 |
| 28 | 1.4375-18 UNEF | 1.228 | .374 | 2.560 | .947 | 1.839 | .157 | 1.563 | 2.000 | .146 |
| 32 | 1.7500-18 UNS | 1.488 | .433 | 2.560 | .947 | 2.102 | .157 | 1.752 | 2.244 | .169 |
| 36 | 2.0000-18 UNS | 1.780 | .465 | 3.150 | .947 | 2.346 | .157 | 1.937 | 2.500 | .169 |
| 40 | 2.2500-16 UN | 2.016 | .465 | 3.150 | .947 | 2.579 | .157 | 2.185 | 2.752 | .169 |

Millimeters

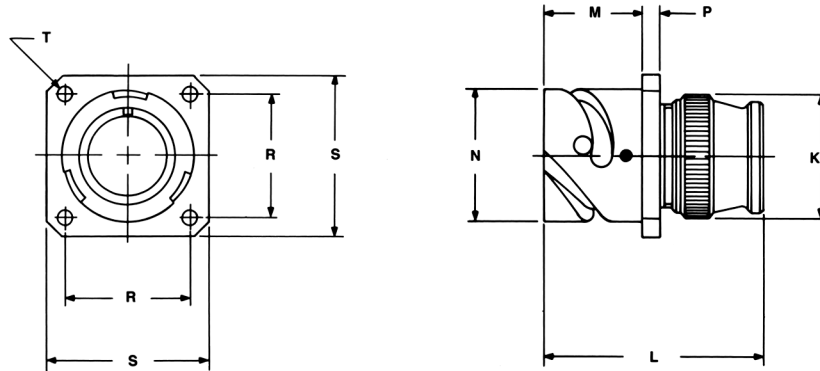
| Shell Size | F Min. | K Min. | L Max. | M + 0.4 - 0.0 | N + 0.00 - 0.15 | P ± 0.2 | R ± 0.1 | S ± 0.3 | T + 0.1 - 0.0 |
|------------|-----------|-----------|-----------|---------------------|-----------------------|------------|------------|------------|---------------------|
| 10SL | 10.4 | 9.5 | 50 | 18.20 | 18.2 | 2.8 | 18.2 | 25.4 | 3.2 |
| 14S | 13.2 | 9.5 | 50 | 18.20 | 24.6 | 3.2 | 23.0 | 30.0 | 3.2 |
| 16S | 16.2 | 9.5 | 50 | 18.20 | 27.4 | 3.2 | 24.6 | 32.5 | 3.2 |
| 16 | 16.2 | 9.5 | 60 | 21.50 | 27.4 | 3.2 | 24.6 | 32.5 | 3.2 |
| 18 | 19.2 | 9.5 | 60 | 23.05 | 30.8 | 4.0 | 27.0 | 35.0 | 3.2 |
| 20 | 22.0 | 9.5 | 60 | 23.05 | 34.2 | 4.0 | 29.4 | 38.0 | 3.2 |
| 22 | 24.5 | 9.5 | 60 | 23.05 | 37.4 | 4.0 | 31.8 | 41.0 | 3.2 |
| 24 | 27.8 | 9.5 | 65 | 23.05 | 40.9 | 4.0 | 34.9 | 44.5 | 3.7 |
| 28 | 31.2 | 9.5 | 65 | 24.05 | 46.7 | 4.0 | 39.7 | 50.8 | 3.7 |
| 32 | 37.8 | 11.0 | 65 | 24.05 | 53.4 | 4.0 | 44.5 | 57.0 | 4.3 |
| 36 | 45.2 | 11.8 | 80 | 24.05 | 59.6 | 4.0 | 49.2 | 63.5 | 4.3 |
| 40 | 51.2 | 11.8 | 80 | 24.05 | 65.5 | 4.0 | 55.5 | 69.9 | 4.3 |

All dimensions for reference only.

GT030RV

square flange receptacle for rear panel mounting

- Four through mounting holes or optional threaded holes
- With wire sealing grommet for individual wires
- Environment proof



Inches

| Shell Size | L Max. | M + .016 - .000 | N + .000 - .006 | P ± .008 | R ± .004 | S ± .012 | T + .004 - .000 | KK Max. |
|------------|--------|-----------------------|-----------------------|-------------|-------------|-------------|-----------------------|---------|
| 10SL | 1.890 | .717 | .717 | .110 | .717 | 1.000 | .126 | .787 |
| 14S | 1.890 | .717 | .969 | .126 | .906 | 1.181 | .126 | .945 |
| 16S | 1.890 | .717 | 1.079 | .126 | .969 | 1.280 | .126 | 1.024 |
| 16 | 2.205 | .846 | 1.079 | .126 | .969 | 1.280 | .126 | 1.024 |
| 18 | 2.244 | .907 | 1.213 | .157 | 1.063 | 1.378 | .126 | 1.161 |
| 20 | 2.244 | .907 | 1.346 | .157 | 1.157 | 1.496 | .126 | 1.299 |
| 22 | 2.244 | .907 | 1.472 | .157 | 1.252 | 1.614 | .126 | 1.417 |
| 24 | 2.244 | .907 | 1.610 | .157 | 1.374 | 1.752 | .146 | 1.575 |
| 28 | 2.244 | .947 | 1.839 | .157 | 1.563 | 2.000 | .146 | 1.811 |
| 32 | 2.362 | .947 | 2.102 | .157 | 1.752 | 2.244 | .169 | 2.028 |
| 36 | 2.362 | .947 | 2.346 | .157 | 1.937 | 2.500 | .169 | 2.283 |
| 40 | 2.362 | .947 | 2.579 | .157 | 2.185 | 2.752 | .169 | 2.539 |

Millimeters

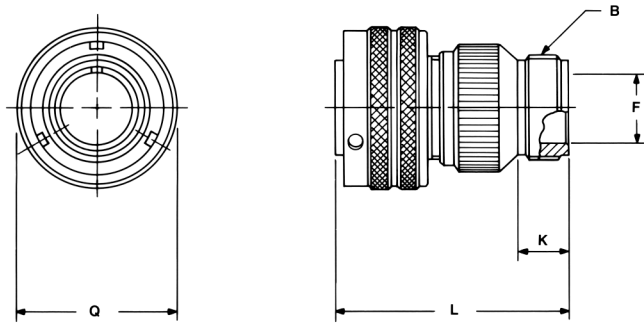
| Shell Size | L Max. | M + 0.4 - 0.0 | N + 0.00 - 0.15 | P ± 0.2 | R ± 0.1 | S ± 0.3 | T + 0.1 - 0.0 | KK Max. |
|------------|--------|---------------------|-----------------------|------------|------------|------------|---------------------|---------|
| 10SL | 48.0 | 18.20 | 18.2 | 2.8 | 18.2 | 25.4 | 3.2 | 20.0 |
| 14S | 48.0 | 18.20 | 24.6 | 3.2 | 23.0 | 30.0 | 3.2 | 24.0 |
| 16S | 48.0 | 18.20 | 27.4 | 3.2 | 24.6 | 32.5 | 3.2 | 26.0 |
| 16 | 56.0 | 21.50 | 27.4 | 3.2 | 24.6 | 32.5 | 3.2 | 26.0 |
| 18 | 57.0 | 23.05 | 30.8 | 4.0 | 27.0 | 35.0 | 3.2 | 29.5 |
| 20 | 57.0 | 23.05 | 34.2 | 4.0 | 29.4 | 38.0 | 3.2 | 33.0 |
| 22 | 57.0 | 23.05 | 37.4 | 4.0 | 31.8 | 41.0 | 3.2 | 36.0 |
| 24 | 57.0 | 23.05 | 40.9 | 4.0 | 34.9 | 44.5 | 3.7 | 40.0 |
| 28 | 57.0 | 24.05 | 46.7 | 4.0 | 39.7 | 50.8 | 3.7 | 46.0 |
| 32 | 60.0 | 24.05 | 53.4 | 4.0 | 44.5 | 57.0 | 4.3 | 51.5 |
| 36 | 60.0 | 24.05 | 59.6 | 4.0 | 49.2 | 63.5 | 4.3 | 58.0 |
| 40 | 60.0 | 24.05 | 65.5 | 4.0 | 55.5 | 69.9 | 4.3 | 64.5 |

All dimensions for reference only.

GT06A

straight plug

- Without grommet and cable clamp
- If a cable clamp is required, see pages 76 and 78
- Non-environment proof



Inches

| Shell Size | B Thread Class 2A | F Min. | K Min. | L Max. | Q Max. |
|------------|-------------------------|-----------|-----------|-----------|-----------|
| 10SL | .6250-24UNEF | .409 | .374 | 1.969 | .898 |
| 14S | .7500-20UNEF | .520 | .374 | 1.969 | 1.150 |
| 16S | .8750-20UNEF | .638 | .374 | 1.969 | 1.260 |
| 16 | .8750-20UNEF | .638 | .374 | 2.362 | 1.260 |
| 18 | 1.0000-20UNEF | .756 | .374 | 2.362 | 1.437 |
| 20 | 1.1875-18UNEF | .867 | .374 | 2.362 | 1.571 |
| 22 | 1.1875-18UNEF | .965 | .374 | 2.362 | 1.697 |
| 24 | 1.4375-18UNEF | 1.094 | .374 | 2.560 | 1.835 |
| 28 | 1.4375-18UNEF | 1.228 | .374 | 2.560 | 2.102 |
| 32 | 1.7500-18UNS | 1.488 | .433 | 2.560 | 2.366 |
| 36 | 2.0000-18UNS | 1.780 | .465 | 3.150 | 2.610 |
| 40 | 2.2500-16UN | 2.016 | .465 | 3.150 | 2.850 |

Millimeters

| Shell Size | F Min. | K Min. | L Max. | Q Max. |
|------------|-----------|-----------|-----------|-----------|
| 10SL | 10.4 | 9.5 | 50 | 22.8 |
| 14S | 13.2 | 9.5 | 50 | 29.2 |
| 16S | 16.2 | 9.5 | 50 | 32.0 |
| 16 | 16.2 | 9.5 | 60 | 32.0 |
| 18 | 19.2 | 9.5 | 60 | 36.5 |
| 20 | 22.0 | 9.5 | 60 | 39.9 |
| 22 | 24.5 | 9.5 | 60 | 43.1 |
| 24 | 27.8 | 9.5 | 65 | 46.6 |
| 28 | 31.2 | 9.5 | 65 | 53.4 |
| 32 | 37.8 | 11.0 | 65 | 60.1 |
| 36 | 45.2 | 11.8 | 80 | 66.3 |
| 40 | 51.2 | 11.8 | 80 | 72.4 |

All dimensions for reference only.

GT06AF/06F

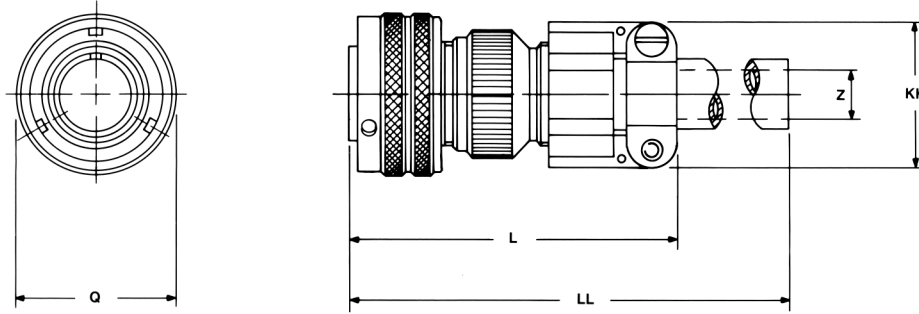
straight plug

GT06AF

- With a cable clamp
- Wire sealing grommet not supplied
- Non-environment proof

GT06F

- With a wire sealing grommet and cable clamp
- For use with individual wires
- Environment proof



Inches

| Shell Size | L Max. | Q Max. | Z Nominal | KK Max. | LL Max. |
|------------|--------|--------|-----------|---------|---------|
| 10SL | 2.165 | .898 | .220 | .894 | 4.724 |
| 14S | 2.362 | 1.150 | .312 | 1.083 | 4.724 |
| 16S | 2.756 | 1.260 | .437 | 1.181 | 4.724 |
| 16 | 2.756 | 1.260 | .437 | 1.181 | 4.921 |
| 18 | 2.953 | 1.437 | .562 | 1.299 | 4.921 |
| 20 | 2.953 | 1.571 | .625 | 1.476 | 4.921 |
| 22 | 2.953 | 1.697 | .625 | 1.476 | 4.921 |
| 24 | 3.543 | 1.835 | .750 | 1.705 | 4.921 |
| 28 | 3.543 | 2.102 | .750 | 1.705 | 4.921 |
| 32 | 3.543 | 2.366 | .937 | 2.035 | 4.921 |
| 36 | 3.937 | 2.610 | 1.250 | 2.283 | 5.315 |
| 40 | 4.921 | 2.850 | 1.375 | 2.579 | 5.709 |

Millimeters

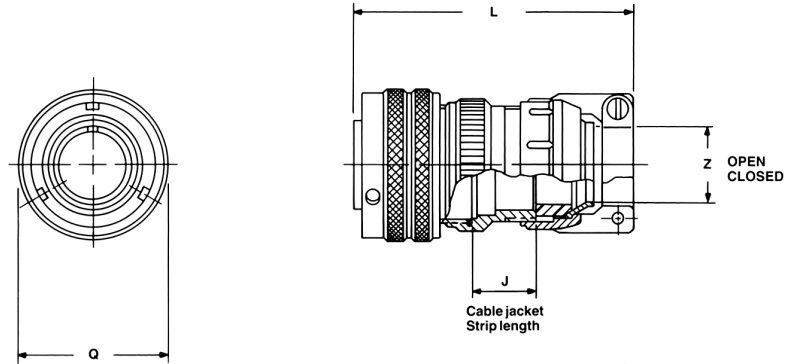
| Shell Size | L Max. | Q Max. | Z Nominal | KK Max. | LL Max. |
|------------|--------|--------|-----------|---------|---------|
| 10SL | 55 | 22.8 | 5.58 | 22.7 | 120 |
| 14S | 60 | 29.2 | 7.92 | 27.5 | 120 |
| 16S | 70 | 32.0 | 11.09 | 30.0 | 120 |
| 16 | 70 | 32.0 | 11.09 | 30.0 | 125 |
| 18 | 75 | 36.5 | 14.27 | 33.0 | 125 |
| 20 | 75 | 39.9 | 15.87 | 37.5 | 125 |
| 22 | 75 | 43.1 | 15.87 | 37.5 | 125 |
| 24 | 90 | 46.6 | 19.05 | 43.3 | 125 |
| 28 | 90 | 53.4 | 19.05 | 43.3 | 125 |
| 32 | 90 | 60.1 | 23.79 | 51.7 | 125 |
| 36 | 100 | 66.3 | 31.75 | 58.0 | 135 |
| 40 | 125 | 72.4 | 34.92 | 65.5 | 145 |

All dimensions for reference only.

GT06CF

straight plug

- With a cable clamp and seal
- For use with jacketed cable
- Environment proof



Inches

| Shell Size | J Approx. | L Approx. | Q Max. | Z | |
|------------|-----------|-----------|--------|-------|--------|
| | | | | Open | Closed |
| 10SL | .551 | 2.752 | .898 | .312 | .094 |
| 14S | .732 | 2.898 | 1.150 | .438 | .230 |
| 16S | .732 | 2.898 | 1.260 | .531 | .315 |
| 16 | .653 | 3.216 | 1.260 | .531 | .315 |
| 18 | .705 | 3.307 | 1.437 | .625 | .378 |
| 20 | .705 | 3.311 | 1.571 | .748 | .445 |
| 22 | .744 | 3.350 | 1.697 | .748 | .445 |
| 24 | .689 | 3.484 | 1.835 | .937 | .610 |
| 28 | .921 | 3.736 | 2.102 | .937 | .610 |
| 32 | 1.016 | 4.142 | 2.366 | 1.250 | .921 |
| 36 | 1.031 | 4.390 | 2.610 | 1.378 | .921 |
| 40 | 1.614 | 4.640 | 2.854 | 1.624 | 1.177 |

Millimeters

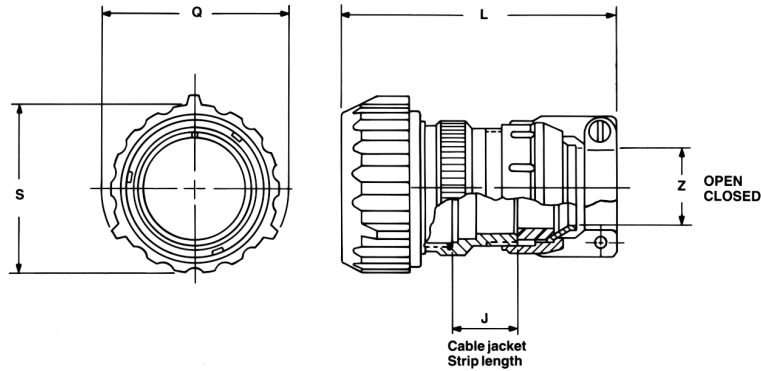
| Shell Size | J Approx. | L Approx. | Q Max. | Z | |
|------------|-----------|-----------|--------|-------|--------|
| | | | | Open | Closed |
| 10SL | 14.0 | 69.6 | 22.8 | 7.93 | 2.38 |
| 14S | 18.6 | 73.6 | 29.2 | 11.12 | 5.84 |
| 16S | 18.6 | 73.6 | 32.0 | 13.48 | 8.00 |
| 16 | 16.6 | 81.7 | 32.0 | 13.48 | 8.00 |
| 18 | 17.9 | 84.0 | 36.5 | 15.87 | 9.60 |
| 20 | 17.9 | 84.1 | 39.9 | 19.00 | 11.30 |
| 22 | 18.9 | 85.1 | 43.1 | 19.00 | 11.30 |
| 24 | 17.5 | 88.5 | 46.6 | 23.80 | 15.50 |
| 28 | 23.4 | 94.9 | 53.4 | 23.80 | 15.50 |
| 32 | 25.8 | 105.2 | 60.1 | 31.75 | 23.40 |
| 36 | 26.2 | 111.5 | 66.3 | 35.00 | 23.40 |
| 40 | 41.0 | 111.5 | 72.5 | 41.25 | 29.90 |

All dimensions for reference only.

GT06CFGG

straight plug

- With rubber covered coupling nut for extreme shock applications
- The shrouded coupling nut protects the plug from damage
- Provides a superior gripping surface
- Seals the bayonet ramps
- Includes a backshell
- Mates with GT020RFSM (see page 47)
- Environment proof



Inches

| Shell Size | J Approx. | L Approx. | Q Max. | S Dia. | Z | |
|------------|-----------|-----------|--------|--------|-------|--------|
| | | | | | Open | Closed |
| 10SL | .551 | 3.150 | 1.319 | 1.122 | .312 | .094 |
| 18 | .701 | 3.346 | 1.929 | 1.713 | .625 | .378 |
| 20 | .705 | 3.937 | 2.028 | 1.811 | .748 | .445 |
| 22 | .705 | 3.937 | 2.224 | 1.988 | .748 | .445 |
| 24 | .689 | 4.016 | 2.362 | 2.126 | .937 | .610 |
| 28 | .921 | 4.291 | 2.638 | 2.402 | .937 | .610 |
| 32 | 1.016 | 5.315 | 2.992 | 2.661 | 1.250 | .921 |
| 36 | 1.031 | 5.039 | 3.240 | 2.925 | 1.378 | .921 |
| 40 | 1.614 | 5.315 | 3.465 | 3.150 | 1.624 | 1.177 |

Millimeters

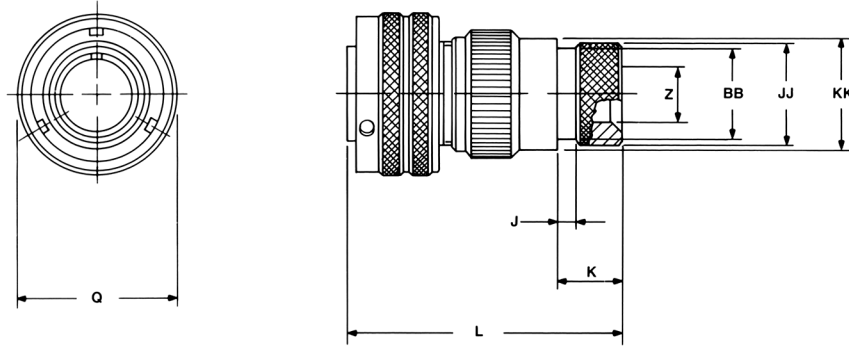
| Shell Size | J Approx. | L Approx. | Q Max. | S Dia. | Z | |
|------------|-----------|-----------|--------|--------|-------|--------|
| | | | | | Open | Closed |
| 10SL | 14.0 | 80 | 33.5 | 28.5 | 7.93 | 2.38 |
| 18 | 17.8 | 85 | 49.0 | 43.5 | 15.87 | 9.60 |
| 20 | 17.9 | 100 | 51.5 | 46.0 | 19.00 | 11.30 |
| 22 | 17.9 | 100 | 56.5 | 50.5 | 19.00 | 11.30 |
| 24 | 17.5 | 102 | 60.0 | 54.0 | 23.80 | 15.50 |
| 28 | 23.4 | 109 | 67.0 | 61.0 | 23.80 | 15.50 |
| 32 | 25.6 | 135 | 76.0 | 67.6 | 31.75 | 23.40 |
| 36 | 26.2 | 128 | 82.3 | 74.3 | 35.00 | 23.40 |
| 40 | 41.0 | 135 | 88.0 | 80.0 | 41.25 | 29.90 |

All dimensions for reference only.

GT06G

straight plug

- With a wire sealing grommet
- For use with individual wires
- Includes a backshell for use with heat-shrink tubing
- Environment proof



Inches

| Shell Size | J ± .008 | K ± .020 | L Max. | Q Max. | Z Min. | BB Max. | JJ ± .008 | KK ± .008 |
|------------|-------------|-------------|-----------|-----------|-----------|------------|--------------|--------------|
| 10SL | .138 | .461 | 1.969 | .898 | .303 | .524 | .610 | .669 |
| 14S | .138 | .461 | 1.969 | 1.150 | .417 | .669 | .752 | .791 |
| 16S | .138 | .461 | 1.969 | 1.260 | .531 | .862 | .941 | .925 |
| 16 | .138 | .453 | 2.362 | 1.260 | .531 | .862 | .941 | .925 |
| 18 | .138 | .453 | 2.362 | 1.437 | .575 | .862 | .941 | 1.043 |
| 20 | .138 | .500 | 2.559 | 1.571 | .736 | 1.031 | 1.165 | 1.189 |
| 22 | .138 | .500 | 2.559 | 1.697 | .819 | 1.031 | 1.165 | 1.323 |
| 24 | .138 | .500 | 2.559 | 1.835 | .969 | 1.358 | 1.488 | 1.421 |
| 28 | .138 | .500 | 2.559 | 2.102 | 1.063 | 1.358 | 1.488 | 1.630 |
| 32 | .138 | .598 | 2.756 | 2.366 | 1.311 | 1.717 | 1.882 | 1.913 |
| 36 | .138 | .598 | 3.150 | 2.610 | 1.516 | 1.717 | 1.882 | 2.157 |
| 40 | .138 | .610 | 3.150 | 2.854 | 1.898 | 2.071 | 2.276 | 2.402 |

Millimeters

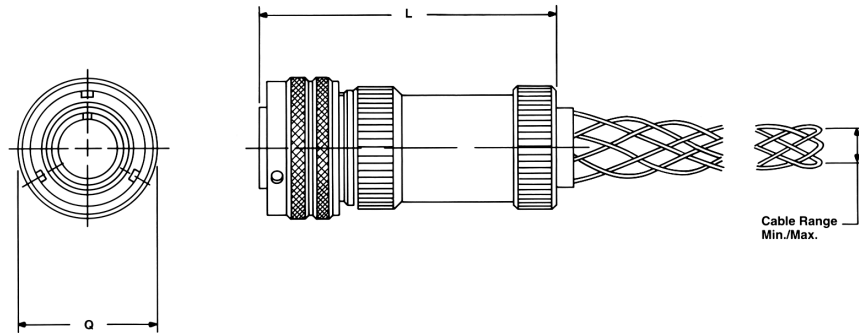
| Shell Size | J ± 0.2 | K ± 0.5 | L Max. | Q Max. | Z Min. | BB Max. | JJ ± 0.2 | KK ± 0.2 |
|------------|------------|------------|-----------|-----------|-----------|------------|-------------|-------------|
| 10SL | 3.5 | 11.7 | 50 | 22.8 | 7.7 | 13.3 | 15.5 | 17.0 |
| 14S | 3.5 | 11.7 | 50 | 29.2 | 10.6 | 17.0 | 19.1 | 20.1 |
| 16S | 3.5 | 11.7 | 50 | 32.0 | 13.5 | 21.9 | 23.9 | 23.5 |
| 16 | 3.5 | 11.5 | 60 | 32.0 | 13.5 | 21.9 | 23.9 | 23.5 |
| 18 | 3.5 | 11.5 | 60 | 36.5 | 14.6 | 21.9 | 23.9 | 26.5 |
| 20 | 3.5 | 12.7 | 65 | 39.9 | 18.7 | 26.2 | 29.6 | 30.2 |
| 22 | 3.5 | 12.7 | 65 | 43.1 | 20.8 | 26.2 | 29.6 | 33.6 |
| 24 | 3.5 | 12.7 | 65 | 46.6 | 24.6 | 34.5 | 37.8 | 36.1 |
| 28 | 3.5 | 12.7 | 65 | 53.4 | 27.0 | 34.5 | 37.8 | 41.4 |
| 32 | 3.5 | 15.2 | 70 | 60.1 | 33.3 | 43.6 | 47.8 | 48.6 |
| 36 | 3.5 | 15.2 | 80 | 66.3 | 38.5 | 43.6 | 47.8 | 54.8 |
| 40 | 3.5 | 15.2 | 80 | 72.5 | 48.2 | 52.6 | 57.8 | 61.0 |

All dimensions for reference only.

GT06LC

straight plug

- Includes a backshell with a basket weave strain relief cord grip
- With a wire sealing grommet
- Environment proof



Inches

| Shell Size | L Ref. | Q Max. |
|------------|--------|--------|
| 10SL | 3.000 | .898 |
| 14S | 3.000 | 1.150 |
| 16S | 3.000 | 1.260 |
| 16 | 3.250 | 1.260 |
| 18 | 3.250 | 1.437 |
| 20 | 3.250 | 1.571 |
| 22 | 3.250 | 1.697 |
| 24 | 3.250 | 1.835 |
| 28 | 3.600 | 2.102 |
| 32 | 3.600 | 2.366 |
| 36 | 3.600 | 2.610 |
| 40 | 3.600 | 2.854 |

| Cable Range | | |
|----------------------|-------|-------|
| AXX Part No. Suffix* | Min. | Max. |
| A16 | .250 | .375 |
| A54 | .375 | .500 |
| A10 | .500 | .625 |
| A12 | .625 | .750 |
| A42 | .750 | .875 |
| A11 | .875 | 1.000 |
| A55 | 1.000 | 1.125 |
| A14 | 1.125 | 1.250 |
| A56 | 1.250 | 1.375 |
| A74 | 1.375 | 1.500 |
| A57 | 1.500 | 1.625 |
| A58 | 1.625 | 1.750 |

Millimeters

| Shell Size | L Ref. | Q Max. |
|------------|--------|--------|
| 10SL | 76.2 | 22.8 |
| 14S | 76.2 | 29.2 |
| 16S | 76.2 | 32.0 |
| 16 | 82.5 | 32.0 |
| 18 | 82.5 | 36.4 |
| 20 | 82.5 | 39.9 |
| 22 | 82.5 | 43.1 |
| 24 | 82.5 | 46.6 |
| 28 | 91.4 | 53.3 |
| 32 | 91.4 | 60.0 |
| 36 | 91.4 | 66.2 |
| 40 | 91.4 | 72.4 |

| Cable Range | | |
|----------------------|------|------|
| AXX Part No. Suffix* | Min. | Max. |
| A16 | 6.3 | 9.5 |
| A54 | 9.5 | 12.7 |
| A10 | 12.7 | 15.8 |
| A12 | 15.8 | 19.0 |
| A42 | 19.0 | 22.2 |
| A11 | 22.2 | 25.4 |
| A55 | 25.4 | 28.5 |
| A14 | 28.5 | 31.7 |
| A56 | 31.7 | 34.9 |
| A74 | 34.9 | 38.1 |
| A57 | 38.1 | 41.2 |
| A58 | 41.2 | 44.4 |

All dimensions for reference only.

* For example, typical part number would be:
GTC06LC28-8PA59

GT06LCF/06LCFZ

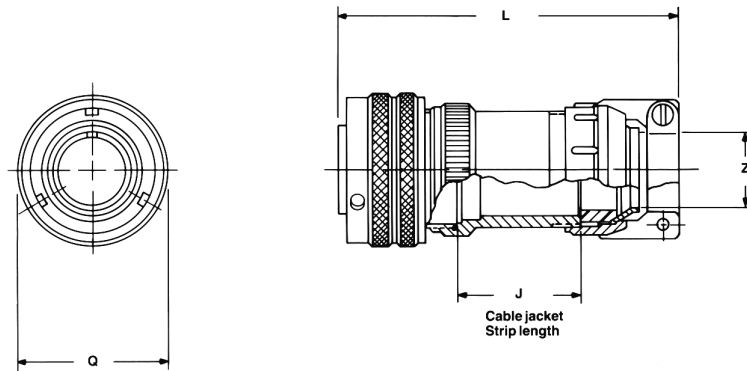
straight plug

GT06LCF

- With cable clamp and seal
- Long backshell provides more working room for jacketed cable
- Environment proof

GT06LCFZ

- Same as GT06LCF except: Individual wire sealing grommet for added moisture
- Environment proof



Inches

| Shell Size | J Approx. | L Approx. | Q Max. | Z | |
|------------|-----------|-----------|--------|-------|--------|
| | | | | Open | Closed |
| 10SL | 1.654 | 3.811 | .898 | .312 | .094 |
| 14S | 1.677 | 3.843 | 1.150 | .438 | .230 |
| 16S | 1.677 | 3.843 | 1.260 | .531 | .315 |
| 16 | 1.677 | 4.217 | 1.260 | .531 | .315 |
| 18 | 1.803 | 4.409 | 1.437 | .625 | .378 |
| 20 | 1.807 | 4.409 | 1.571 | .748 | .445 |
| 22 | 1.807 | 4.413 | 1.697 | .748 | .445 |
| 24 | 1.752 | 4.535 | 1.835 | .937 | .610 |
| 28 | 1.949 | 4.756 | 2.102 | .937 | .610 |
| 32 | 1.953 | 5.079 | 2.366 | 1.250 | .921 |
| 36 | 1.969 | 5.327 | 2.610 | 1.378 | .921 |
| 40 | 1.969 | 5.327 | 2.854 | 1.624 | 1.177 |

Millimeters

| Shell Size | J Approx. | L Approx. | Q Max. | Z | |
|------------|-----------|-----------|--------|-------|--------|
| | | | | Open | Closed |
| 10SL | 42.0 | 96.8 | 22.8 | 7.93 | 2.38 |
| 14S | 42.6 | 97.6 | 29.2 | 11.12 | 5.84 |
| 16S | 42.6 | 97.6 | 32.0 | 13.48 | 8.00 |
| 16 | 42.6 | 107.1 | 32.0 | 13.48 | 8.00 |
| 18 | 45.8 | 112.0 | 36.5 | 15.87 | 9.60 |
| 20 | 45.9 | 112.0 | 39.9 | 19.00 | 11.30 |
| 22 | 45.9 | 112.1 | 43.1 | 19.00 | 11.30 |
| 24 | 44.5 | 115.2 | 46.6 | 23.80 | 15.50 |
| 28 | 49.5 | 120.8 | 53.4 | 23.80 | 15.50 |
| 32 | 49.6 | 129.0 | 60.1 | 31.75 | 23.40 |
| 36 | 50.0 | 135.3 | 66.3 | 35.00 | 23.40 |
| 40 | 50.0 | 135.3 | 72.5 | 41.25 | 29.90 |

All dimensions for reference only.

GT06PP/064PP

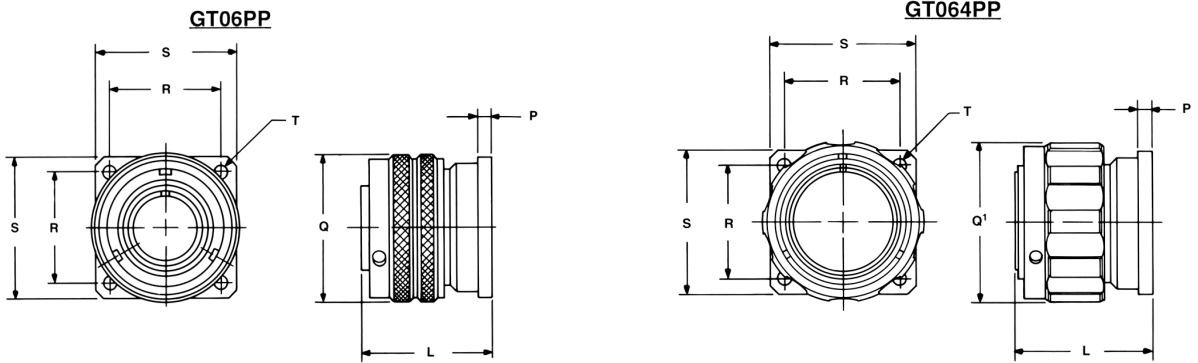
panel plug

GT06PP

- Square flange mounting with four through holes
- Environment proof with proper panel sealing gasket (see page 73)

GT064PP

- Square flange mounting with four through holes
- Environment proof with proper panel sealing gasket (see page 73)
- Includes a heavy duty coupling nut



Inches

| Shell Size | L Approx. | Q Max. | Q ¹ Max. | P ± .008 | R ± .004 | S ± .012 | T + .004 - .000 |
|------------|-----------|--------|---------------------|----------|----------|----------|-----------------|
| 10SL | 1.087 | .898 | .953 | .110 | .717 | 1.000 | .126 |
| 14S | 1.091 | 1.150 | 1.208 | .126 | .906 | 1.181 | .126 |
| 16S | 1.091 | 1.260 | 1.319 | .126 | .969 | 1.280 | .126 |
| 16 | 1.469 | 1.260 | 1.319 | .126 | .969 | 1.280 | .126 |
| 18 | 1.500 | 1.437 | 1.510 | .157 | 1.063 | 1.378 | .126 |
| 20 | 1.500 | 1.571 | 1.660 | .157 | 1.157 | 1.496 | .126 |
| 22 | 1.500 | 1.697 | 1.770 | .157 | 1.252 | 1.614 | .126 |
| 24 | 1.598 | 1.835 | 1.910 | .157 | 1.374 | 1.752 | .146 |
| 28 | 1.626 | 2.102 | 2.085 | .157 | 1.563 | 2.000 | .146 |
| 32 | 1.764 | 2.366 | 2.440 | .157 | 1.752 | 2.244 | .169 |
| 36 | 1.764 | 2.610 | 2.660 | .157 | 1.937 | 2.500 | .169 |
| 40 | 1.764 | 2.850 | 2.910 | .157 | 2.185 | 2.752 | .169 |

Millimeters

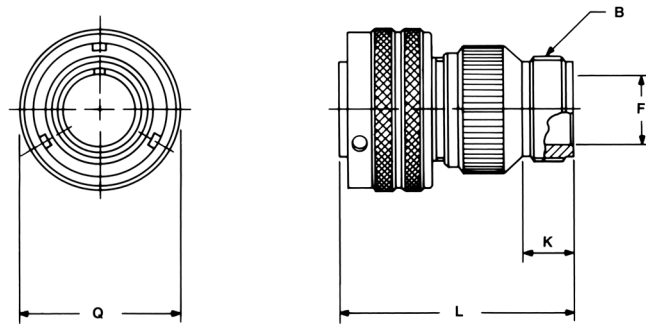
| Shell Size | L Approx. | Q Max. | Q ¹ Max. | P ± 0.2 | R ± 0.1 | S ± 0.3 | T + 0.1 - 0.0 |
|------------|-----------|--------|---------------------|---------|---------|---------|---------------|
| 10SL | 27.6 | 22.8 | 24.2 | 2.8 | 18.2 | 25.4 | 3.2 |
| 14S | 27.7 | 29.2 | 30.6 | 3.2 | 23.0 | 30.0 | 3.2 |
| 16S | 27.7 | 32.0 | 33.5 | 3.2 | 24.6 | 32.5 | 3.2 |
| 16 | 37.3 | 32.0 | 33.5 | 3.2 | 24.6 | 32.5 | 3.2 |
| 18 | 38.1 | 36.5 | 38.3 | 4.0 | 27.0 | 35.0 | 3.2 |
| 20 | 38.1 | 39.9 | 42.1 | 4.0 | 29.4 | 38.0 | 3.2 |
| 22 | 38.1 | 43.1 | 44.9 | 4.0 | 31.8 | 41.0 | 3.2 |
| 24 | 40.6 | 46.6 | 48.5 | 4.0 | 34.9 | 44.5 | 3.7 |
| 28 | 41.3 | 53.4 | 52.9 | 4.0 | 39.7 | 50.8 | 3.7 |
| 32 | 44.8 | 60.1 | 61.9 | 4.0 | 44.5 | 57.0 | 4.3 |
| 36 | 44.8 | 66.3 | 67.5 | 4.0 | 49.2 | 63.5 | 4.3 |
| 40 | 44.8 | 72.4 | 73.9 | 4.0 | 55.5 | 69.9 | 4.3 |

All dimensions for reference only.

GT06R

straight plug

- With a wire sealing grommet
- Includes a backshell for conduit termination
- Environment proof



Inches

| Shell Size | B Thread Class 2A | F Min. | K Min. | L Max. | Q Max. |
|------------|-------------------------|-----------|-----------|-----------|-----------|
| 10SL | .6250-24UNEF | .409 | .374 | 1.969 | .898 |
| 14S | .7500-20UNEF | .520 | .374 | 1.969 | 1.150 |
| 16S | .8750-20UNEF | .638 | .374 | 1.969 | 1.260 |
| 16 | .8750-20UNEF | .638 | .374 | 2.362 | 1.260 |
| 18 | 1.0000-20UNEF | .756 | .374 | 2.362 | 1.437 |
| 20 | 1.1875-18UNEF | .867 | .374 | 2.362 | 1.571 |
| 22 | 1.1875-18UNEF | .965 | .374 | 2.362 | 1.697 |
| 24 | 1.4375-18UNEF | 1.094 | .374 | 2.560 | 1.835 |
| 28 | 1.4375-18UNEF | 1.228 | .374 | 2.560 | 2.102 |
| 32 | 1.7500-18UNS | 1.488 | .433 | 2.560 | 2.366 |
| 36 | 2.0000-18UNS | 1.780 | .465 | 3.150 | 2.610 |
| 40 | 2.2500-16UN | 2.016 | .465 | 3.150 | 2.850 |

Millimeters

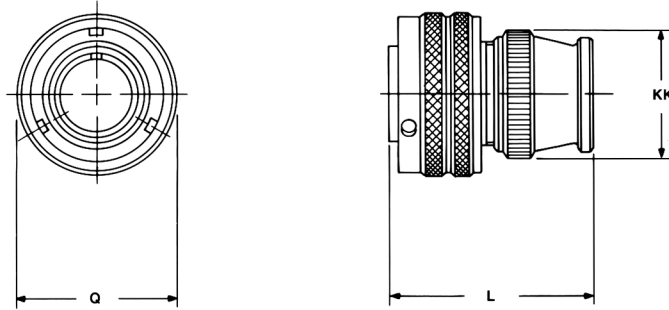
| Shell Size | F Min. | K Min. | L Max. | Q Max. |
|------------|-----------|-----------|-----------|-----------|
| 10SL | 10.4 | 9.5 | 50 | 22.8 |
| 14S | 13.2 | 9.5 | 50 | 29.2 |
| 16S | 16.2 | 9.5 | 50 | 32.0 |
| 16 | 16.2 | 9.5 | 60 | 32.0 |
| 18 | 19.2 | 9.5 | 60 | 36.5 |
| 20 | 22.0 | 9.5 | 60 | 39.9 |
| 22 | 24.5 | 9.5 | 60 | 43.1 |
| 24 | 27.8 | 9.5 | 65 | 46.6 |
| 28 | 31.2 | 9.5 | 65 | 53.4 |
| 32 | 37.8 | 11.0 | 65 | 60.1 |
| 36 | 45.2 | 11.8 | 80 | 66.3 |
| 40 | 51.2 | 11.8 | 80 | 72.4 |

All dimensions for reference only.

GT06RV

straight plug

- With a wire sealing grommet
- For use with individual wires
- Environment proof



Inches

| Shell Size | L Max. | Q Max. | KK Max. |
|------------|--------|--------|---------|
| 10SL | 1.417 | .898 | .787 |
| 14S | 1.437 | 1.150 | .945 |
| 16S | 1.437 | 1.260 | 1.024 |
| 16 | 1.929 | 1.260 | 1.024 |
| 18 | 1.929 | 1.437 | 1.161 |
| 20 | 1.969 | 1.571 | 1.299 |
| 22 | 1.969 | 1.697 | 1.417 |
| 24 | 2.008 | 1.835 | 1.543 |
| 28 | 2.008 | 2.102 | 1.811 |
| 32 | 2.087 | 2.366 | 2.028 |
| 36 | 2.106 | 2.610 | 2.283 |
| 40 | 2.126 | 2.850 | 2.539 |

Millimeters

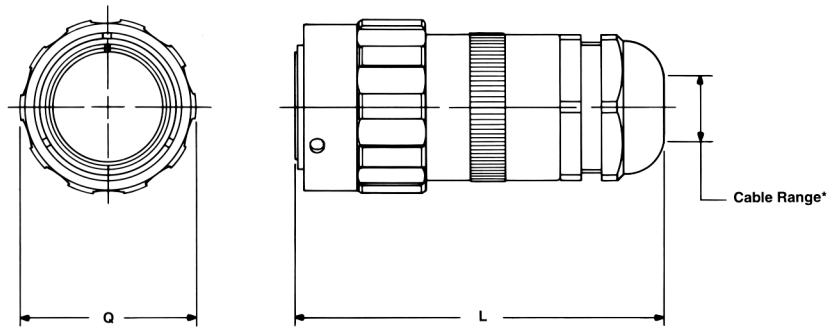
| Shell Size | L Max. | Q Max. | KK Max. |
|------------|--------|--------|---------|
| 10SL | 36.0 | 22.8 | 20.0 |
| 14S | 36.5 | 29.2 | 24.0 |
| 16S | 36.5 | 32.0 | 26.0 |
| 16 | 49.0 | 32.0 | 26.0 |
| 18 | 49.0 | 36.5 | 29.5 |
| 20 | 50.0 | 39.9 | 33.0 |
| 22 | 50.0 | 43.1 | 36.0 |
| 24 | 51.0 | 46.6 | 40.0 |
| 28 | 51.0 | 53.4 | 46.0 |
| 32 | 53.0 | 60.1 | 51.5 |
| 36 | 53.5 | 66.3 | 58.0 |
| 40 | 54.0 | 72.4 | 64.5 |

All dimensions for reference only.

GT065SL(*)

straight plug

- Includes a long heavy duty coupling nut
- Includes a liquid tight strain relief to grip and seal jacketed cable
- Environment proof



Inches

| Shell Size | L Ref. | Q Max. | Cable Range | |
|------------|--------|--------|-------------|-----------|
| | | | (1)* | (2)* |
| 10SL | 3.516 | 1.007 | .11-.26 | .07-.12 |
| 14S | 3.628 | 1.259 | .15-.32 | .07-.24 |
| 16S | 3.808 | 1.410 | .19-.39 | .11-.28 |
| 16 | 4.355 | 1.410 | .19-.39 | .11-.28 |
| 18 | 4.249 | 1.547 | .23-.47 | .19-.35 |
| 20 | 4.255 | 1.681 | .39-.56 | .27-.47 |
| 22 | 4.329 | 1.847 | .51-.71 | .35-.63 |
| 24 | 4.816 | 1.965 | .51-.71 | .35-.63 |
| 28 | 4.817 | 2.222 | .70-.98 | .51-.79 |
| 32 | 4.817 | 2.482 | .86-1.26 | .78-1.02 |
| 36 | 5.048 | 2.721 | 1.26-1.50 | .98-1.22 |
| 40 | 4.978 | 2.953 | 1.45-1.75 | 1.14-1.38 |

Millimeters

| Shell Size | L Ref. | Q Max. | Cable Range | |
|------------|--------|--------|-------------|------------|
| | | | (1)* | (2)* |
| 10SL | 89.3 | 25.5 | 2.7-6.6 | 1.7-3.0 |
| 14S | 92.1 | 31.9 | 3.8-8.1 | 1.7-6.0 |
| 16S | 96.7 | 35.8 | 4.8-9.9 | 2.7-7.1 |
| 16 | 110.6 | 35.8 | 4.8-9.9 | 2.7-7.1 |
| 18 | 107.9 | 39.2 | 5.8-11.9 | 4.8-8.8 |
| 20 | 108.0 | 42.6 | 9.9-14.2 | 6.8-11.9 |
| 22 | 109.9 | 46.9 | 12.9-18.0 | 8.8-16.0 |
| 24 | 122.3 | 49.9 | 12.9-18.0 | 8.8-16.0 |
| 28 | 122.3 | 56.4 | 17.7-24.8 | 12.9-20.0 |
| 32 | 122.3 | 63.0 | 21.8-32.0 | 19.8-25.9 |
| 36 | 128.2 | 69.1 | 32.0-38.1 | 24.8-30.9 |
| 40 | 126.4 | 75.0 | 36.8-44.4 | 28.9-35.05 |

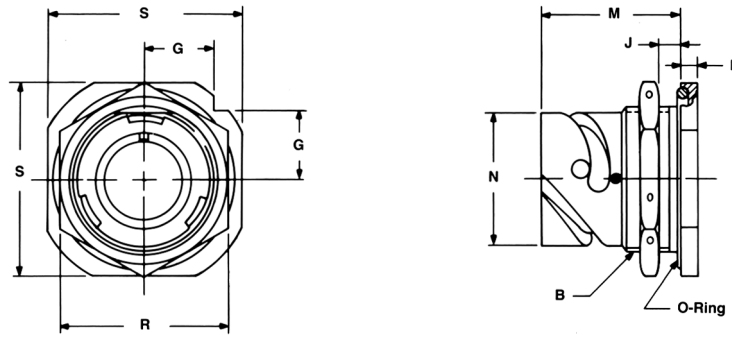
All dimensions for reference only.

* Add suffix 1 or 2 for desired cable range.

GT07R

jam nut receptacle

- For rear panel single hole mounting
- Panel seal O-ring included
- Environment proof



Inches

| Shell Size | B Thread Class 2A | G ± .012 | J Wall Thickness | | M ± .012 | N + .000 - .006 | P ± .007 | R ± .016 | S ± .012 |
|------------|-------------------------|-------------|---------------------|------|-------------|-----------------------|-------------|-------------|-------------|
| | | | Min. | Max. | | | | | |
| 10SL | .8750-20 UNEF | .441 | .094 | .205 | .965 | .717 | .157 | 1.062 | 1.252 |
| 14S | 1.1250-18 UNEF | .575 | .094 | .295 | 1.055 | .969 | .189 | 1.312 | 1.626 |
| 16S | 1.2500-18 UNEF | .618 | .094 | .295 | 1.055 | 1.079 | .189 | 1.500 | 1.748 |
| 16 | 1.2500-18 UNEF | .618 | .094 | .295 | 1.264 | 1.079 | .189 | 1.500 | 1.748 |
| 18 | 1.3750-18 UNEF | .661 | .094 | .354 | 1.327 | 1.213 | .189 | 1.562 | 1.874 |
| 20 | 1.5000-18 UNEF | .709 | .094 | .358 | 1.327 | 1.346 | .189 | 1.750 | 2.000 |
| 22 | 1.6250-18 UNEF | .795 | .094 | .358 | 1.327 | 1.472 | .189 | 2.000 | 2.252 |
| 24 | 1.7500-18 UNEF | .795 | .094 | .358 | 1.327 | 1.610 | .189 | 2.000 | 2.252 |
| 28 | 2.0000-18 UNS | .886 | .094 | .394 | 1.386 | 1.839 | .220 | 2.188 | 2.500 |
| 32 | 2.2500-16 UN | .972 | .094 | .394 | 1.386 | 2.102 | .220 | 2.438 | 2.748 |
| 36 | 2.5000-16 UN | 1.059 | .094 | .327 | 1.386 | 2.346 | .220 | 2.812 | 3.000 |
| 40 | 2.7500-16 UN | 1.165 | .094 | .327 | 1.386 | 2.579 | .220 | 3.000 | 3.248 |

Millimeters

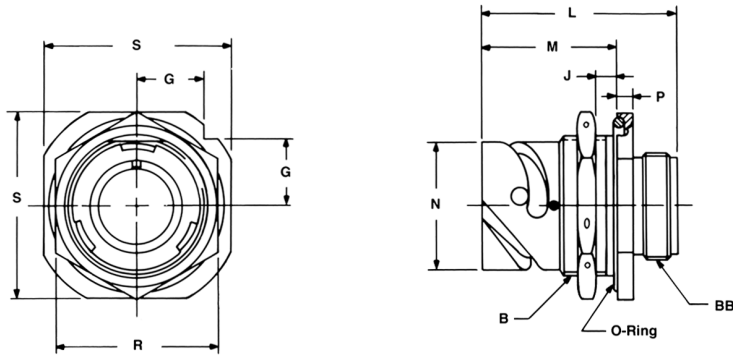
| Shell Size | G ± 0.3 | J Wall Thickness | | M ± 0.3 | N + 0.00 - 0.15 | P ± 0.2 | R ± 0.4 | S ± 0.3 |
|------------|------------|---------------------|------|------------|-----------------------|------------|------------|------------|
| | | Min. | Max. | | | | | |
| 10SL | 11.2 | 2.4 | 5.2 | 24.5 | 18.2 | 4.0 | 27 | 31.8 |
| 14S | 14.6 | 2.4 | 7.5 | 26.8 | 24.6 | 4.8 | 33 | 41.3 |
| 16S | 15.7 | 2.4 | 7.5 | 26.8 | 27.4 | 4.8 | 38 | 44.4 |
| 16 | 15.7 | 2.4 | 7.5 | 32.1 | 27.4 | 4.8 | 38 | 44.4 |
| 18 | 16.8 | 2.4 | 9.0 | 33.7 | 30.8 | 4.8 | 40 | 47.6 |
| 20 | 18.0 | 2.4 | 9.1 | 33.7 | 34.2 | 4.8 | 44 | 50.8 |
| 22 | 20.2 | 2.4 | 9.1 | 33.7 | 37.4 | 4.8 | 51 | 57.2 |
| 24 | 20.2 | 2.4 | 9.1 | 33.7 | 40.9 | 4.8 | 51 | 57.2 |
| 28 | 22.5 | 2.4 | 10.0 | 35.2 | 46.7 | 5.6 | 56 | 63.5 |
| 32 | 24.7 | 2.4 | 10.0 | 35.2 | 53.4 | 5.6 | 62 | 69.8 |
| 36 | 26.9 | 2.4 | 8.3 | 35.2 | 59.6 | 5.6 | 71 | 76.2 |
| 40 | 29.6 | 2.4 | 8.3 | 35.2 | 65.5 | 5.6 | 76 | 82.5 |

All dimensions for reference only.

GT070

jam nut receptacle

- For rear panel single hole mounting
- Threaded rear for accessories
- Environment proof



Inches

| Shell Size | B Thread Class 2A | G ± .012 | J Wall Thickness | | L ± .010 | M ± .012 | N + .000 - .006 | P ± .007 | R ± .016 | S ± .012 | BB Thread Class 2A |
|------------|-------------------------|-------------|---------------------|------|-------------|-------------|-----------------------|-------------|-------------|-------------|--------------------------|
| | | | Min. | Max. | | | | | | | |
| 10SL | .8750-20 UNEF | .441 | .094 | .205 | 1.425 | .965 | .717 | .157 | 1.062 | 1.252 | .6250-24 UNEF |
| 14S | 1.1250-18 UNEF | .575 | .094 | .295 | 1.531 | 1.055 | .969 | .189 | 1.312 | 1.626 | .7500-20 UNEF |
| 16S | 1.2500-18 UNEF | .618 | .094 | .295 | 1.531 | 1.055 | 1.079 | .189 | 1.500 | 1.748 | .8750-20 UNEF |
| 16 | 1.2500-18 UNEF | .618 | .094 | .295 | 1.909 | 1.264 | 1.079 | .189 | 1.500 | 1.748 | .8750-20 UNEF |
| 18 | 1.3750-18 UNEF | .661 | .094 | .354 | 1.941 | 1.327 | 1.213 | .189 | 1.562 | 1.874 | 1.0000-20 UNEF |
| 20 | 1.5000-18 UNEF | .709 | .094 | .358 | 1.941 | 1.327 | 1.346 | .189 | 1.750 | 2.000 | 1.1250-18 UNEF |
| 22 | 1.6250-18 UNEF | .795 | .094 | .358 | 1.941 | 1.327 | 1.472 | .189 | 2.000 | 2.252 | 1.2500-18 UNEF |
| 24 | 1.7500-18 UNEF | .795 | .094 | .358 | 1.953 | 1.327 | 1.610 | .189 | 2.000 | 2.252 | 1.3750-18 UNEF |
| 28 | 2.0000-18 UNS | .886 | .094 | .394 | 2.043 | 1.386 | 1.839 | .220 | 2.188 | 2.500 | 1.6250-18 UNEF |
| 32 | 2.2500-16 UN | .972 | .094 | .394 | 2.043 | 1.386 | 2.102 | .220 | 2.438 | 2.748 | 1.8750-16 UN |
| 36 | 2.5000-16 UN | 1.059 | .094 | .327 | 2.043 | 1.386 | 2.346 | .220 | 2.812 | 3.000 | 2.0625-16 UN |
| 40 | 2.7500-16 UN | 1.165 | .094 | .327 | 2.043 | 1.386 | 2.579 | .220 | 3.000 | 3.248 | 2.3125-16 UN |

Millimeters

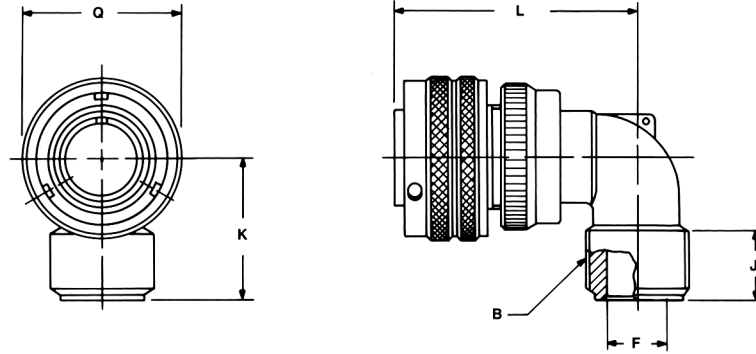
| Shell Size | G ± 0.3 | J Wall Thickness | | I ± 0.3 | M ± 0.3 | N + 0.00 - 0.15 | P ± 0.2 | R ± 0.4 | S ± 0.3 |
|------------|------------|---------------------|------|------------|------------|-----------------------|------------|------------|------------|
| | | Min. | Max. | | | | | | |
| 10SL | 11.2 | 2.4 | 5.2 | 36.2 | 24.5 | 18.2 | 4.0 | 27 | 31.8 |
| 14S | 14.6 | 2.4 | 7.5 | 38.9 | 26.8 | 24.6 | 4.8 | 33 | 41.3 |
| 16S | 15.7 | 2.4 | 7.5 | 38.9 | 26.8 | 27.4 | 4.8 | 38 | 44.4 |
| 16 | 15.7 | 2.4 | 7.5 | 48.5 | 32.1 | 27.4 | 4.8 | 38 | 44.4 |
| 18 | 16.8 | 2.4 | 9.0 | 49.3 | 33.7 | 30.8 | 4.8 | 40 | 47.6 |
| 20 | 18.0 | 2.4 | 9.1 | 49.3 | 33.7 | 34.2 | 4.8 | 44 | 50.8 |
| 22 | 20.2 | 2.4 | 9.1 | 49.3 | 33.7 | 37.4 | 4.8 | 51 | 57.2 |
| 24 | 20.2 | 2.4 | 9.1 | 49.6 | 33.7 | 40.9 | 4.8 | 51 | 57.2 |
| 28 | 22.5 | 2.4 | 10.0 | 51.9 | 35.2 | 46.7 | 5.6 | 56 | 63.5 |
| 32 | 24.7 | 2.4 | 10.0 | 51.9 | 35.2 | 53.4 | 5.6 | 62 | 69.8 |
| 36 | 26.9 | 2.4 | 8.3 | 51.9 | 35.2 | 59.6 | 5.6 | 71 | 76.2 |
| 40 | 29.6 | 2.4 | 8.3 | 51.9 | 35.2 | 65.5 | 5.6 | 76 | 82.5 |

All dimensions for reference only.

GT08A

90° angle plug

- Without a wire sealing grommet or clamp
- Non-environment proof
- If a cable clamp is required, see pages 76 and 78



Inches

| Shell Size | B Thread Class 2A | F Max. | J Min. | K Max. | L Max. | Q Max. |
|------------|-------------------------|-----------|-----------|-----------|-----------|-----------|
| 10SL | .6250-24UNEF | .337 | .370 | 1.181 | 1.772 | .898 |
| 14S | .7500-20UNEF | .462 | .370 | 1.181 | 1.850 | 1.150 |
| 16S | .8750-20UNEF | .587 | .370 | 1.181 | 1.890 | 1.299 |
| 16 | .8750-20UNEF | .587 | .370 | 1.181 | 2.244 | 1.299 |
| 18 | 1.0000-20UNEF | .685 | .370 | 1.378 | 2.283 | 1.437 |
| 20 | 1.1875-18UNEF | .810 | .370 | 1.378 | 2.402 | 1.571 |
| 22 | 1.1875-18UNEF | .915 | .370 | 1.378 | 2.402 | 1.697 |
| 24 | 1.4375-18UNEF | 1.025 | .370 | 1.575 | 2.598 | 1.835 |
| 28 | 1.4375-18UNEF | 1.139 | .370 | 1.575 | 2.598 | 2.102 |
| 32 | 1.7500-18UNS | 1.447 | .433 | 1.772 | 2.835 | 2.366 |
| 36 | 2.0000-18UNS | 1.687 | .496 | 1.969 | 2.953 | 2.610 |
| 40 | 2.2500-16UN | 1.923 | .496 | 2.165 | 3.071 | 2.850 |

Millimeters

| Shell Size | F Max. | J Min. | K Max. | L Max. | Q Max. |
|------------|-----------|-----------|-----------|-----------|-----------|
| 10SL | 8.5 | 9.4 | 30 | 45 | 22.8 |
| 14S | 11.7 | 9.4 | 30 | 47 | 29.2 |
| 16S | 14.9 | 9.4 | 30 | 48 | 33.0 |
| 16 | 14.9 | 9.4 | 30 | 57 | 33.0 |
| 18 | 17.4 | 9.4 | 35 | 58 | 36.5 |
| 20 | 20.5 | 9.4 | 35 | 61 | 39.9 |
| 22 | 23.2 | 9.4 | 35 | 61 | 43.1 |
| 24 | 26.0 | 9.4 | 40 | 66 | 46.6 |
| 28 | 28.9 | 9.4 | 40 | 66 | 53.4 |
| 32 | 36.7 | 11.0 | 45 | 72 | 60.1 |
| 36 | 42.8 | 12.6 | 50 | 75 | 66.3 |
| 40 | 48.8 | 12.6 | 55 | 78 | 72.4 |

All dimensions for reference only.

GT08AF/08F

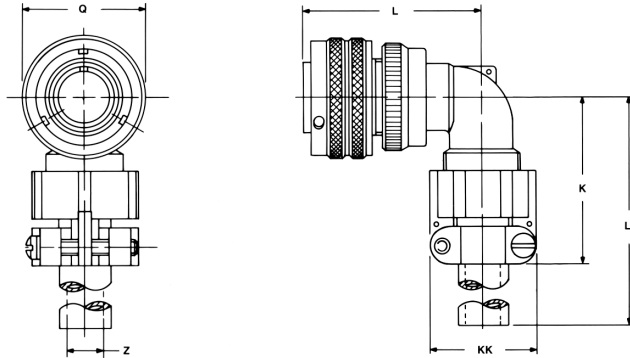
90° angle plug

GT08AF

- With a cable clamp
- Wire sealing grommet not included
- Non-environment proof

GT08F

- With a wire sealing grommet and cable clamp
- For use with individual wires
- Environment proof



Inches

| Shell Size | K Max. | L Max. | Q Max. | Z Max. | KK Max. | LL Max. |
|------------|--------|--------|--------|--------|---------|---------|
| 10SL | 1.654 | 1.772 | .898 | .220 | .894 | 3.937 |
| 14S | 1.654 | 1.850 | 1.150 | .312 | 1.083 | 3.937 |
| 16S | 1.772 | 1.890 | 1.299 | .437 | 1.181 | 3.937 |
| 16 | 1.772 | 2.244 | 1.299 | .437 | 1.181 | 3.937 |
| 18 | 2.087 | 2.283 | 1.437 | .562 | 1.299 | 3.937 |
| 20 | 2.087 | 2.402 | 1.571 | .625 | 1.476 | 3.937 |
| 22 | 2.087 | 2.402 | 1.697 | .625 | 1.476 | 3.937 |
| 24 | 2.283 | 2.598 | 1.835 | .750 | 1.705 | 3.937 |
| 28 | 2.283 | 2.598 | 2.102 | .750 | 1.705 | 3.937 |
| 32 | 2.598 | 2.835 | 2.366 | .937 | 2.061 | 4.331 |
| 36 | 2.717 | 2.953 | 2.610 | 1.250 | 2.283 | 4.331 |
| 40 | 3.740 | 3.071 | 2.850 | 1.375 | 2.579 | 5.512 |

Millimeters

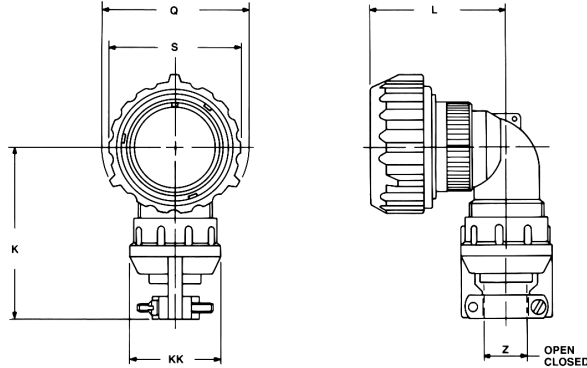
| Shell Size | K Max. | L Max. | Q Max. | Z Max. | KK Max. | LL Max. |
|------------|--------|--------|--------|--------|---------|---------|
| 10SL | 42 | 45 | 22.8 | 5.58 | 22.7 | 100 |
| 14S | 42 | 47 | 29.2 | 7.92 | 27.5 | 100 |
| 16S | 45 | 48 | 33.0 | 11.09 | 30.0 | 100 |
| 16 | 45 | 57 | 33.0 | 11.09 | 30.0 | 100 |
| 18 | 53 | 58 | 36.5 | 14.27 | 33.0 | 100 |
| 20 | 53 | 61 | 39.9 | 15.87 | 37.5 | 100 |
| 22 | 53 | 61 | 43.1 | 15.87 | 37.5 | 100 |
| 24 | 58 | 66 | 46.6 | 19.05 | 43.3 | 100 |
| 28 | 58 | 66 | 53.4 | 19.05 | 43.3 | 100 |
| 32 | 66 | 72 | 60.1 | 23.79 | 51.7 | 110 |
| 36 | 69 | 75 | 66.3 | 31.75 | 58.0 | 110 |
| 40 | 95 | 78 | 72.4 | 34.92 | 65.5 | 140 |

All dimensions for reference only.

GT08CFGG

90° angle plug

- Rubber covered coupling nut provides superior gripping surface and seals beyond ramps
- Includes clamp to grip and seal jacketed cable
- Mates with GT020RFSM (see page 47)
- Environment proof



Inches

| Shell Size | K Max. | L Max. | Q Dia. | S Dia. | Z | | KK ± .008 |
|------------|--------|--------|--------|--------|-------|--------|-----------|
| | | | | | Open | Closed | |
| 10SL | 2.402 | 1.929 | 1.319 | 1.122 | .312 | .094 | .890 |
| 18 | 2.677 | 2.520 | 1.929 | 1.713 | .625 | .378 | 1.220 |
| 20 | 2.677 | 2.638 | 2.028 | 1.811 | .748 | .445 | 1.469 |
| 22 | 2.677 | 2.638 | 2.205 | 1.988 | .748 | .445 | 1.469 |
| 24 | 2.992 | 2.874 | 2.362 | 2.126 | .937 | .610 | 1.654 |
| 28 | 2.992 | 2.874 | 2.638 | 2.402 | .937 | .610 | 1.654 |
| 32 | 3.425 | 3.071 | 2.992 | 2.661 | 1.250 | .921 | 2.126 |
| 36 | 3.858 | 3.189 | 3.240 | 2.925 | 1.378 | .921 | 2.248 |
| 40 | 4.055 | 3.307 | 3.465 | 3.150 | 1.624 | 1.177 | 2.500 |

Millimeters

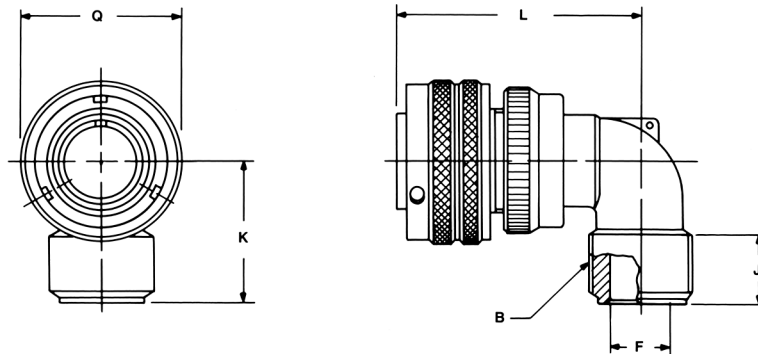
| Shell Size | K Max. | L Max. | Q Dia. | S Dia. | Z | | KK ± 0.2 |
|------------|--------|--------|--------|--------|-------|--------|----------|
| | | | | | Open | Closed | |
| 10SL | 61 | 49 | 33.5 | 28.5 | 7.93 | 2.38 | 22.6 |
| 18 | 68 | 64 | 49.0 | 43.5 | 15.87 | 9.60 | 31.0 |
| 20 | 68 | 67 | 51.5 | 46.0 | 19.00 | 11.30 | 37.3 |
| 22 | 68 | 67 | 56.0 | 50.5 | 19.00 | 11.30 | 37.3 |
| 24 | 76 | 73 | 60.0 | 54.0 | 23.80 | 15.50 | 42.0 |
| 28 | 76 | 73 | 67.0 | 61.0 | 23.80 | 15.50 | 42.0 |
| 32 | 87 | 78 | 76.0 | 67.6 | 31.75 | 23.40 | 54.0 |
| 36 | 98 | 81 | 82.3 | 74.3 | 35.00 | 23.40 | 57.1 |
| 40 | 103 | 84 | 88.0 | 80.0 | 41.25 | 29.90 | 63.5 |

All dimensions for reference only.

GT08R

90° angle plug

- With a wire sealing grommet for conduit termination
- For use with individual wires
- Environment proof



Inches

| Shell Size | B Thread Class 2A | F Max. | J Min. | K Max. | L Max. | Q Max. |
|------------|-------------------------|-----------|-----------|-----------|-----------|-----------|
| 10SL | .6250-24UNEF | .337 | .370 | 1.181 | 1.772 | .898 |
| 14S | .7500-20UNEF | .462 | .370 | 1.181 | 1.850 | 1.150 |
| 16S | .8750-20UNEF | .587 | .370 | 1.181 | 1.890 | 1.299 |
| 16 | .8750-20UNEF | .587 | .370 | 1.181 | 2.244 | 1.299 |
| 18 | 1.0000-20UNEF | .685 | .370 | 1.378 | 2.283 | 1.437 |
| 20 | 1.1875-18UNEF | .810 | .370 | 1.378 | 2.402 | 1.571 |
| 22 | 1.1875-18UNEF | .915 | .370 | 1.378 | 2.402 | 1.697 |
| 24 | 1.4375-18UNEF | 1.025 | .370 | 1.575 | 2.598 | 1.835 |
| 28 | 1.4375-18UNEF | 1.139 | .370 | 1.575 | 2.598 | 2.102 |
| 32 | 1.7500-18UNS | 1.447 | .433 | 1.772 | 2.835 | 2.366 |
| 36 | 2.0000-18UNS | 1.687 | .496 | 1.969 | 2.953 | 2.610 |
| 40 | 2.2500-16UN | 1.923 | .496 | 2.165 | 3.071 | 2.850 |

Millimeters

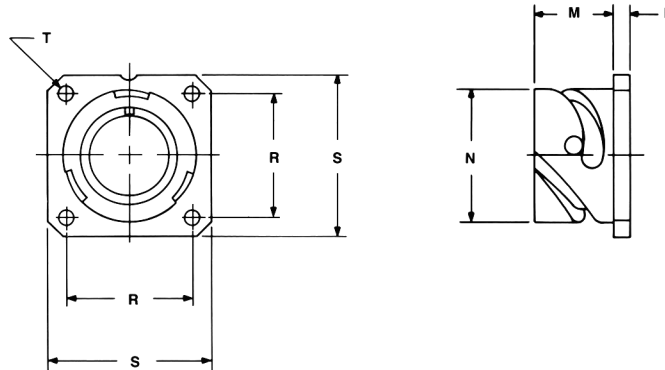
| Shell Size | F Max. | J Min. | K Max. | L Max. | Q Max. |
|------------|-----------|-----------|-----------|-----------|-----------|
| 10SL | 8.5 | 9.4 | 30 | 45 | 22.8 |
| 14S | 11.7 | 9.4 | 30 | 47 | 29.2 |
| 16S | 14.9 | 9.4 | 30 | 48 | 33.0 |
| 16 | 14.9 | 9.4 | 30 | 57 | 33.0 |
| 18 | 17.4 | 9.4 | 35 | 58 | 36.5 |
| 20 | 20.5 | 9.4 | 35 | 61 | 39.9 |
| 22 | 23.2 | 9.4 | 35 | 61 | 43.1 |
| 24 | 26.0 | 9.4 | 40 | 66 | 46.6 |
| 28 | 28.9 | 9.4 | 40 | 66 | 53.4 |
| 32 | 36.7 | 11.0 | 45 | 72 | 60.1 |
| 36 | 42.8 | 12.6 | 50 | 75 | 66.3 |
| 40 | 48.8 | 12.6 | 55 | 78 | 72.4 |

All dimensions for reference only.

GT05

dummy receptacle

- Square flange
- Four through mounting holes
- Stows cable plugs when not in use



Inches

| Shell Size | M + .016 - .000 | N + .000 - .006 | P ± .008 | R ± .004 | S ± .012 | T + .004 - .000 |
|------------|-----------------------|-----------------------|-------------|-------------|-------------|-----------------------|
| 10SL | .559 | .717 | .110 | .717 | 1.000 | .126 |
| 14S | .559 | .969 | .126 | .906 | 1.181 | .126 |
| 16S | .559 | 1.079 | .126 | .969 | 1.280 | .126 |
| 16 | .748 | 1.079 | .126 | .969 | 1.280 | .126 |
| 18 | .748 | 1.213 | .157 | 1.063 | 1.378 | .126 |
| 20 | .748 | 1.346 | .157 | 1.157 | 1.496 | .126 |
| 22 | .748 | 1.472 | .157 | 1.252 | 1.614 | .126 |
| 24 | .811 | 1.610 | .157 | 1.374 | 1.752 | .146 |
| 28 | .811 | 1.839 | .157 | 1.563 | 2.000 | .146 |
| 32 | .874 | 2.102 | .157 | 1.752 | 2.244 | .169 |
| 36 | .874 | 2.346 | .157 | 1.937 | 2.500 | .169 |
| 40 | .874 | 2.579 | .157 | 2.185 | 2.752 | .169 |

Millimeters

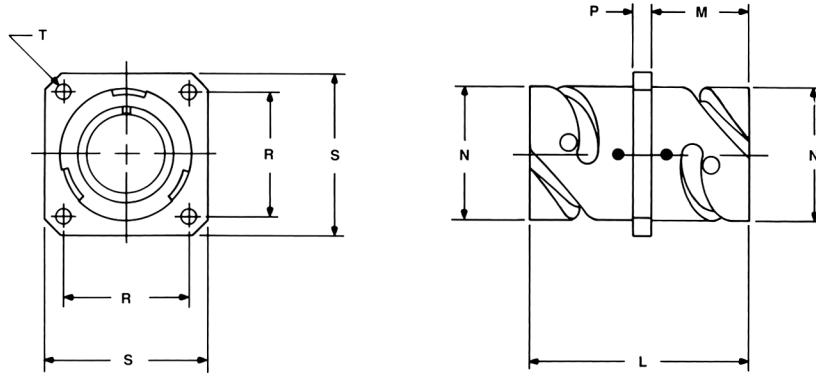
| Shell Size | M + 0.4 - 0.0 | N + 0.00 - 0.15 | P ± 0.2 | R ± 0.1 | S ± 0.3 | T + 0.1 - 0.0 |
|------------|---------------------|-----------------------|------------|------------|------------|---------------------|
| 10SL | 14.2 | 18.2 | 2.8 | 18.2 | 25.4 | 3.2 |
| 14S | 14.2 | 24.6 | 3.2 | 23.0 | 30.0 | 3.2 |
| 16S | 14.2 | 27.4 | 3.2 | 24.6 | 32.5 | 3.2 |
| 16 | 19.0 | 27.4 | 3.2 | 24.6 | 32.5 | 3.2 |
| 18 | 19.0 | 30.8 | 4.0 | 27.0 | 35.0 | 3.2 |
| 20 | 19.0 | 34.2 | 4.0 | 29.4 | 38.0 | 3.2 |
| 22 | 19.0 | 37.4 | 4.0 | 31.8 | 41.0 | 3.2 |
| 24 | 20.6 | 40.9 | 4.0 | 34.9 | 44.5 | 3.7 |
| 28 | 20.6 | 46.7 | 4.0 | 39.7 | 50.8 | 3.7 |
| 32 | 22.2 | 53.4 | 4.0 | 44.5 | 57.0 | 4.3 |
| 36 | 22.2 | 59.6 | 4.0 | 49.2 | 63.5 | 4.3 |
| 40 | 22.2 | 65.5 | 4.0 | 55.5 | 69.9 | 4.3 |

All dimensions for reference only.

GTTB

thru-bulkhead receptacles

- Accepts mating plug on both sides
- Four through mounting holes



Inches

| Shell Size | L Max. | M + .016 - .000 | N + .000 - .006 | P ± .008 | R ± .004 | S ± .012 | T + .004 - .000 |
|------------|-----------|-----------------------|-----------------------|-------------|-------------|-------------|-----------------------|
| 10SL | 1.488 | .717 | .717 | .110 | .717 | 1.000 | .126 |
| 14S | 1.488 | .717 | .969 | .126 | .906 | 1.181 | .126 |
| 16S | 1.488 | .717 | 1.079 | .126 | .969 | 1.280 | .126 |
| 16 | 2.049 | .846 | 1.079 | .126 | .969 | 1.280 | .126 |
| 18 | 2.049 | .907 | 1.213 | .157 | 1.063 | 1.378 | .126 |
| 20 | 2.049 | .907 | 1.346 | .157 | 1.157 | 1.496 | .126 |
| 22 | 2.049 | .907 | 1.472 | .157 | 1.252 | 1.614 | .126 |
| 24 | 2.049 | .907 | 1.610 | .157 | 1.374 | 1.752 | .146 |
| 28 | 2.049 | .947 | 1.839 | .157 | 1.563 | 2.000 | .146 |
| 32 | 2.049 | .947 | 2.102 | .157 | 1.752 | 2.244 | .169 |
| 36 | 2.049 | .947 | 2.346 | .157 | 1.937 | 2.500 | .169 |
| 40 | 2.049 | .947 | 2.579 | .157 | 2.185 | 2.752 | .169 |

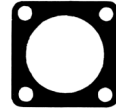
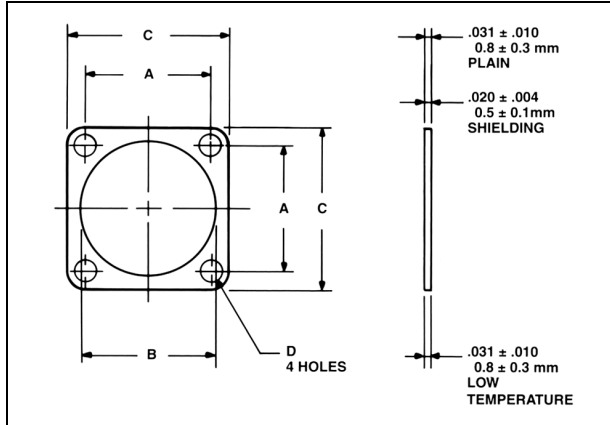
Millimeters

| Shell Size | L Max. | M + 0.4 - 0.0 | N + 0.00 - 0.15 | P ± 0.2 | R ± 0.1 | S ± 0.3 | T + .004 - .000 |
|------------|-----------|---------------------|-----------------------|------------|------------|------------|-----------------------|
| 10SL | 37.7 | 18.2 | 18.2 | 2.8 | 18.2 | 25.4 | 3.2 |
| 14S | 37.7 | 18.2 | 24.6 | 3.2 | 23.0 | 30.0 | 3.2 |
| 16S | 37.7 | 18.2 | 27.4 | 3.2 | 24.6 | 32.5 | 3.2 |
| 16 | 52.0 | 21.5 | 27.4 | 3.2 | 24.6 | 32.5 | 3.2 |
| 18 | 52.0 | 23.0 | 30.8 | 4.0 | 27.0 | 35.0 | 3.2 |
| 20 | 52.0 | 23.0 | 34.2 | 4.0 | 29.4 | 38.0 | 3.2 |
| 22 | 52.0 | 23.0 | 37.4 | 4.0 | 31.8 | 41.0 | 3.2 |
| 24 | 52.0 | 23.0 | 40.9 | 4.0 | 34.9 | 44.5 | 3.7 |
| 28 | 52.0 | 24.0 | 46.7 | 4.0 | 39.7 | 50.8 | 3.7 |
| 32 | 52.0 | 24.0 | 53.4 | 4.0 | 44.5 | 57.0 | 4.3 |
| 36 | 52.0 | 24.0 | 59.6 | 4.0 | 49.2 | 63.5 | 4.3 |
| 40 | 52.0 | 24.0 | 65.5 | 4.0 | 55.5 | 69.9 | 4.3 |

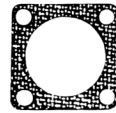
All dimensions for reference only.

GT Connectors – accessories

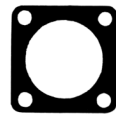
10-40450, 10-36675, 10-580649 sealing gaskets



The Amphenol® plain flat gasket of synthetic rubber material is provided to take complete advantage of waterproof and pressure sealing features. It is for use with the flange mounted receptacle.



This flat gasket is provided to give the maximum in connector performance. Its special feature is in providing the maximum radio shielding under difficult conditions of high receiver sensitivity and low signal strength while retaining the sealing characteristics of the plain gasket. This gasket is for use with the flange mounting receptacle.



This gasket is provided for applications where the major requirement is resistance to the injurious effects of extremely low temperature. Even at temperatures as low as -67°F this gasket retains its resiliency and will seal a pressure differential of 30 psi.

The rear panel gasket is equivalent to the plain flat gasket made of synthetic rubber material, and is used for back panel mounting.

Inches

| Installation Dimensions | | | | | |
|-------------------------|-----------------|---|---|-----------------------|-----------------|
| MS Shell Size | A $\pm .010$ | Front Panel Versions B + .016 - .000 | Rear Panel Version B + .016 - .000 | C + .016 - .000 | D $\pm .010$ |
| 10SL | .719 | .625 | .724 | 1.000 | .172 |
| 14S | .906 | .875 | .976 | 1.188 | .172 |
| 16S | .969 | 1.000 | 1.087 | 1.281 | .172 |
| 16 | .969 | 1.000 | 1.087 | 1.281 | .172 |
| 18 | 1.063 | 1.125 | 1.220 | 1.375 | .203 |
| 20 | 1.156 | 1.250 | 1.354 | 1.500 | .203 |
| 22 | 1.250 | 1.375 | 1.480 | 1.625 | .203 |
| 24 | 1.375 | 1.500 | 1.618 | 1.750 | .203 |
| 28 | 1.563 | 1.750 | 1.846 | 2.000 | .203 |
| 32 | 1.750 | 2.000 | 2.110 | 2.250 | .219 |
| 36 | 1.938 | 2.188 | 2.354 | 2.500 | .219 |
| 40 | 2.188 | 2.438 | 2.587 | 2.750 | .219 |

| Order Data | | | |
|---------------------------|-------------------------------|-------------------------------------|--------------------|
| Front Panel Plain Version | Front Panel Shielding Version | Front Panel Low Temperature Version | Rear Panel Version |
| 10-40450-10 | 10-40450-10S | 10-36675-10 | 10-580649-10 |
| 10-40450-14 | 10-40450-14S | 10-36675-14 | 10-580649-14 |
| 10-40450-16 | 10-40450-16S | 10-36675-16 | 10-580649-16 |
| 10-40450-16 | 10-40450-16S | 10-36675-16 | 10-580649-16 |
| 10-40450-18 | 10-40450-18S | 10-36675-18 | 10-580649-18 |
| 10-40450-20 | 10-40450-20S | 10-36675-20 | 10-580649-20 |
| 10-40450-22 | 10-40450-22S | 10-36675-22 | 10-580649-22 |
| 10-40450-24 | 10-40450-24S | 10-36675-24 | 10-580649-24 |
| 10-40450-28 | 10-40450-28S | 10-36675-28 | 10-580649-26 |
| 10-40450-32 | 10-40450-32S | 10-36675-32 | 10-580649-32 |
| 10-40450-36 | 10-40450-36S | 10-36675-36 | 10-580649-36 |
| 10-40450-40 | 10-40450-40S | 10-36675-40 | 10-580649-40 |

Millimeters

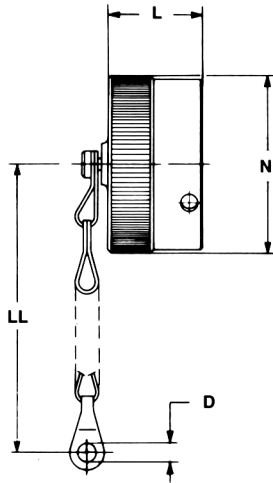
| Installation Dimensions | | | | | |
|-------------------------|----------------|---|---|---------------------|----------------|
| MS Shell Size | A ± 0.2 | Front Panel Versions B + 0.4 - 0.0 | Rear Panel Version B + 0.4 - 0.0 | C + 0.4 - 0.0 | D ± 0.2 |
| 10SL | 18.2 | 15.9 | 18.4 | 25.4 | 4.36 |
| 14S | 23.0 | 22.2 | 24.8 | 30.2 | 4.36 |
| 16S | 24.6 | 25.4 | 27.6 | 32.5 | 4.36 |
| 16 | 24.6 | 25.4 | 27.6 | 32.5 | 4.36 |
| 18 | 27.0 | 28.57 | 31.0 | 35.0 | 5.15 |
| 20 | 29.4 | 31.75 | 34.4 | 38.1 | 5.15 |
| 22 | 31.8 | 34.9 | 37.6 | 41.2 | 5.15 |
| 24 | 34.9 | 38.1 | 41.1 | 44.5 | 5.15 |
| 28 | 39.7 | 44.45 | 46.9 | 50.8 | 5.15 |
| 32 | 44.5 | 50.8 | 53.6 | 57.2 | 5.56 |
| 36 | 49.2 | 55.57 | 59.8 | 63.5 | 5.56 |
| 40 | 55.6 | 61.92 | 65.7 | 69.9 | 5.56 |

GT Connectors – accessories

receptacle protection caps

- Protective metal caps which seal the front of receptacles
- Includes a chain for retention of the cap at the required location
- For receptacles: GT00, 01, 02, 020, 030, 070

* 10-580902-XXX



* To complete order number, add shell size and suffix number. For example, shell size 11 with olive drab cadmium plate would be 10-580902-113.

Inches

| Shell Size | D + .020 - .000 | L Max. | N Max. | LL Approx. |
|------------|-----------------------|-----------|-----------|---------------|
| 11 | .173 | .650 | .905 | 5.000 |
| 14 | .173 | .650 | 1.181 | 5.000 |
| 16 | .173 | .827 | 1.280 | 5.000 |
| 17 | .173 | .650 | 1.280 | 5.000 |
| 18 | .173 | .827 | 1.457 | 5.000 |
| 20 | .173 | .827 | 1.594 | 5.000 |
| 22 | .173 | .827 | 1.713 | 5.000 |
| 24 | .173 | .827 | 1.850 | 5.000 |
| 28 | .220 | .827 | 2.126 | 7.480 |
| 32 | .220 | .827 | 2.382 | 7.480 |
| 36 | .220 | .827 | 2.638 | 6.890 |
| 40 | .220 | .827 | 2.874 | 7.480 |

| Finish | Suffix |
|--------------------------------|--------|
| Black anodize | -XX2 |
| Olive drab cadmium plate | -XX3 |
| Olive drab cadmium nickel base | -XX9 |

Millimeters

| Shell Size | D + 0.5 - 0.0 | L Max. | N Max. | LL Approx. |
|------------|---------------------|-----------|-----------|---------------|
| 11 | 4.4 | 16.5 | 23.0 | 127 |
| 14 | 4.4 | 16.5 | 30.0 | 127 |
| 16 | 4.4 | 21.0 | 32.5 | 127 |
| 17 | 4.4 | 16.5 | 32.5 | 127 |
| 18 | 4.4 | 21.0 | 37.0 | 127 |
| 20 | 4.4 | 21.0 | 40.5 | 127 |
| 22 | 4.4 | 21.0 | 43.5 | 127 |
| 24 | 4.4 | 21.0 | 47.0 | 127 |
| 28 | 5.6 | 21.0 | 54.0 | 190 |
| 32 | 5.6 | 21.0 | 60.5 | 190 |
| 36 | 5.6 | 21.0 | 67.0 | 175 |
| 40 | 5.6 | 21.0 | 73.0 | 190 |

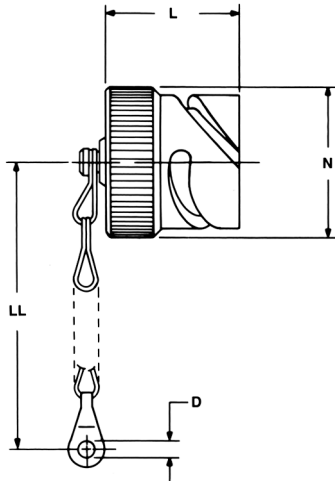
All dimensions for reference only.

GT Connectors – accessories

plug protection caps

- Protective metal caps which seal the front of plugs
- Includes a chain for retention of the cap at the required location
- For receptacles: GT06, 08

* 10-580903-XXX



* To complete order number, add shell size and suffix number. For example, shell size 11 with olive drab cadmium plate would be 10-580903-113.

Inches

| Shell Size | D + .020 - .000 | L Max. | N Max. | LL Approx. |
|------------|-----------------------|-----------|-----------|---------------|
| 11 | .157 | .945 | .807 | 5.000 |
| 14 | .157 | .945 | 1.059 | 5.000 |
| 16 | .157 | .945 | 1.169 | 5.000 |
| 17 | .157 | .945 | 1.169 | 5.000 |
| 18 | .157 | .945 | 1.303 | 5.000 |
| 20 | .189 | 1.260 | 1.437 | 5.520 |
| 22 | .189 | 1.260 | 1.563 | 5.520 |
| 24 | .189 | 1.260 | 1.701 | 5.520 |
| 28 | .189 | 1.260 | 1.929 | 7.480 |
| 32 | .220 | 1.260 | 2.193 | 7.480 |
| 36 | .220 | 1.260 | 2.437 | 7.480 |
| 40 | .220 | 1.260 | 2.665 | 7.480 |

| Finish | Suffix |
|--------------------------------|--------|
| Black anodize | -XX2 |
| Olive drab cadmium plate | -XX3 |
| Olive drab cadmium nickel base | -XX9 |

Millimeters

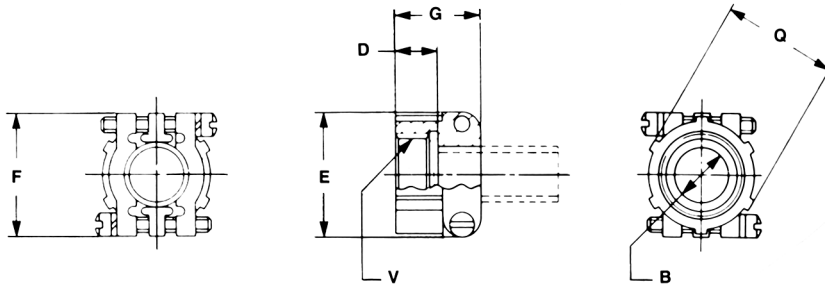
| Shell Size | D + 0.5 - 0.0 | L Max. | N Max. | LL Approx. |
|------------|---------------------|-----------|-----------|---------------|
| 11 | 4.0 | 24 | 20.5 | 127 |
| 14 | 4.0 | 24 | 26.9 | 127 |
| 16 | 4.0 | 24 | 29.7 | 127 |
| 17 | 4.0 | 24 | 29.7 | 127 |
| 18 | 4.0 | 24 | 33.1 | 127 |
| 20 | 4.8 | 32 | 36.5 | 140 |
| 22 | 4.8 | 32 | 39.7 | 140 |
| 24 | 4.8 | 32 | 43.2 | 140 |
| 28 | 4.8 | 32 | 49.0 | 190 |
| 32 | 5.6 | 32 | 55.7 | 190 |
| 36 | 5.6 | 32 | 61.9 | 190 |
| 40 | 5.6 | 32 | 67.7 | 190 |

All dimensions for reference only.

GT Connectors – accessories

M85049/41 (MS3057-A) cable clamp

- Concentric cable clamps, insure strain relief and central location of the cable
- Can be used with bushing MS3420



Inches

| Part Number | Used with Shell Size | Used with Bushing | B | D | G | F | V Thread Class 2B |
|---------------|----------------------|-------------------|-------|------|-------|-------|-------------------|
| M85049/41-4A | 10SL | MS3420-4 | .315 | .395 | .812 | .866 | .6250-24 UNEF |
| M85049/41-6A | 14S | MS3420-6 | .442 | .395 | .875 | 1.063 | .7500-20 UNEF |
| M85049/41-8A | 16 - 16S | MS3420-8 | .568 | .395 | .945 | 1.145 | .8750-20 UNEF |
| M85049/41-10A | 18 | MS3420-10 | .633 | .395 | .945 | 1.244 | 1.0000-20 UNEF |
| M85049/41-12A | 20 - 22 | MS3420-12 | .758 | .395 | .945 | 1.475 | 1.1875-18 UNEF |
| M85049/41-16A | 24 - 28 | MS3420-16 | .948 | .395 | 1.031 | 1.700 | 1.4375-18 UNEF |
| M85049/41-20A | 32 | MS3420-20 | 1.256 | .460 | 1.094 | 2.055 | 1.7500-18 UNS |
| M85049/41-24A | 36 | MS3420-24 | 1.380 | .520 | 1.157 | 2.265 | 2.0000-18 UNS |
| M85049/41-28A | 40 | MS3420-28 | 1.625 | .520 | 1.685 | 2.683 | 2.2500-16 UN |

Millimeters

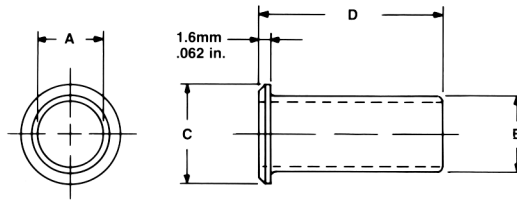
| Part Number | Used with Shell Size | Used with Bushing | B | D | G | F |
|---------------|----------------------|-------------------|------|------|------|----|
| M85049/41-4A | 10SL | MS3420-4 | 8.0 | 10.0 | 20.6 | 22 |
| M85049/41-6A | 14S | MS3420-6 | 11.0 | 10.0 | 22.2 | 27 |
| M85049/41-8A | 16 - 16S | MS3420-8 | 14.4 | 10.0 | 24.0 | 29 |
| M85049/41-10A | 18 | MS3420-10 | 16.1 | 10.0 | 24.0 | 32 |
| M85049/41-12A | 20 - 22 | MS3420-12 | 19.2 | 10.0 | 24.0 | 37 |
| M85049/41-16A | 24 - 28 | MS3420-16 | 24.1 | 10.0 | 26.2 | 43 |
| M85049/41-20A | 32 | MS3420-20 | 31.9 | 11.7 | 27.8 | 52 |
| M85049/41-24A | 36 | MS3420-24 | 35.0 | 13.2 | 29.4 | 58 |
| M85049/41-28A | 40 | MS3420-28 | 41.3 | 13.2 | 42.8 | 68 |

All dimensions for reference only.

GT Connectors – accessories

MS3420 bushing

- Bushing of synthetic rubber to be used with cable clamps for protection of the cable or wires
- Can be telescoped for smaller cable diameters



Inches

| Part Number | Used with Cable Clamp | A | B | C | D |
|-------------|-----------------------|-------|-------|-------|-------|
| MS3420-3 | M85049/41-3A | .130 | .210 | .379 | 2.875 |
| MS3420-4 | M85049/41-4A | .220 | .302 | .505 | 2.750 |
| MS3420-6 | M85049/41-6A | .312 | .427 | .619 | 2.625 |
| MS3420-8 | M85049/41-8A | .437 | .552 | .744 | 2.500 |
| MS3420-10 | M85049/41-10A | .562 | .615 | .889 | 2.375 |
| MS3420-12 | M85049/41-12A | .625 | .740 | 1.084 | 2.250 |
| MS3420-16 | M85049/41-16A | .750 | .927 | 1.314 | 2.125 |
| MS3420-20 | M85049/41-20A | .937 | 1.240 | 1.598 | 2.000 |
| MS3420-24 | M85049/41-24A | 1.250 | 1.365 | 1.847 | 1.875 |
| MS3420-28 | M85049/41-28A | 1.375 | 1.614 | 2.085 | 1.750 |

Millimeters

| Part Number | Used with Cable Clamp | A | B | C | D |
|-------------|-----------------------|-------|------|-------|------|
| MS3420-3 | M85049/41-3A | 3.30 | 5.3 | 9.60 | 73.0 |
| MS3420-4 | M85049/41-4A | 5.58 | 7.7 | 12.80 | 69.8 |
| MS3420-6 | M85049/41-6A | 7.92 | 10.8 | 15.70 | 66.8 |
| MS3420-8 | M85049/41-8A | 11.09 | 14.0 | 18.90 | 63.5 |
| MS3420-10 | M85049/41-10A | 14.27 | 15.6 | 22.58 | 60.3 |
| MS3420-12 | M85049/41-12A | 15.87 | 18.8 | 27.50 | 57.1 |
| MS3420-16 | M85049/41-16A | 19.05 | 23.5 | 33.40 | 53.9 |
| MS3420-20 | M85049/41-20A | 23.79 | 31.5 | 40.60 | 50.8 |
| MS3420-24 | M85049/41-24A | 31.75 | 34.7 | 46.90 | 47.6 |
| MS3420-28 | M85049/41-28A | 34.92 | 41.0 | 52.90 | 44.4 |

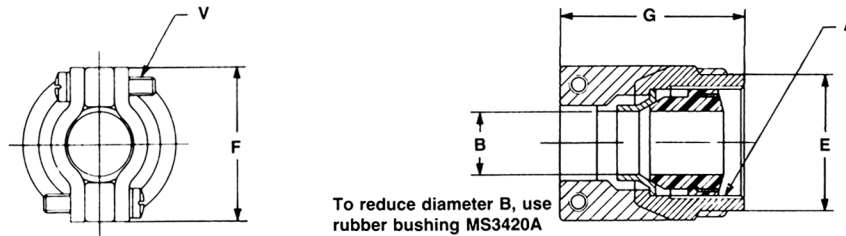
All dimensions for reference only.

GT Connectors – accessories

M85049/2 (MS3057-C) cable clamp

- Waterproof clamp for jacketed cables
- Provides mechanical strain relief plus concentric clamping over a wide range of cable sizes
- A neoprene* gland seal ensures a waterproof seal on the cable jacket

* Other materials available



| Part Number | Used with Shell Size | A Thread Class 2B in inches | V Thread Class 2A in inches | Used with Bushing | Bushing Opening Inches | | Busing Opening Millimeters | |
|--------------|----------------------|-----------------------------|-----------------------------|--|------------------------|----------------------|----------------------------|------------------------|
| | | | | | Open | Closed | Open | Closed |
| M85049/2-4C | 10SL | .6250-24 UNEF | 6-32 UNC | MS3420-4A | .219 | .010 | 5.56 | 0.25 |
| M85049/2-6C | 14S | .7500-20 UNEF | 6-32 UNC | MS3420-6A MS3420-4A | .312 .219 | .114 .020 | 7.93 5.56 | 2.89 0.50 |
| M85049/2-8C | 16 & 16S | .8750-20 UNEF | 6-32 UNC | MS3420-8A MS3420-6A | .437 .312 | .220 .085 | 11.10 7.93 | 5.60 2.15 |
| M85049/2-10C | 18 | 1.0000-20 UNEF | 6-32 UNC | MS3420-10A MS3420-6A | .437 .312 | .197 .085 | 11.10 7.93 | 5.00 2.15 |
| M85049/2-12C | 20 & 22 | 1.1875-18 UNEF | 8-32 UNC | MS3420-12A MS3420-8A | .541 .437 | .270 .177 | 13.74 11.10 | 6.85 4.50 |
| M85049/2-16C | 24 & 28 | 1.4375-18 UNEF | 8-32 UNC | MS3420-16A MS3420-12A MS3420-8A | .748 .541 .437 | .429 .260 .186 | 19.00 13.74 11.10 | 10.90 6.60 4.72 |
| M85049/2-20C | 32 | 1.7500-18 UNS | .250-20 UNC | MS3420-20A MS3420-16A MS3420-12A | .937 .748 .541 | .620 .441 .273 | 23.80 19.00 13.74 | 15.74 11.20 6.93 |
| M85049/2-24C | 36 | 2.0000-18 UNS | .250-20 UNC | MS3420-24A MS3420-20A MS3420-16A | 1.122 .937 .748 | .681 .504 .358 | 28.50 23.80 19.00 | 17.30 12.80 9.10 |
| M85049/2-28C | 40 | 2.2500-16 UN | .250-20 UNC | MS3420-28A MS3420-20A MS3420-16A | 1.250 .937 .748 | .815 .512 .368 | 31.75 23.80 19.00 | 20.70 13.00 9.34 |
| M85049/2-32C | 44 | 2.5000-16 UN | .250-20 UNC | MS3420-32A MS3420-28A | 1.874 1.250 | 1.378 .815 | 47.60 31.75 | 35.00 20.70 |

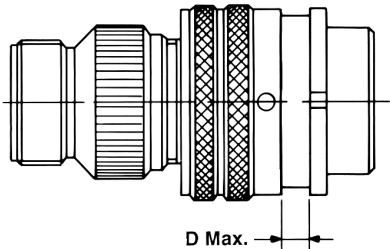
| Part Number | Used with Shell Size | Inches | | | | | Millimeters | | | | |
|--------------|----------------------|--------|--------|-------------|-------------|-----------------------|-------------|--------|------------|------------|---------------------|
| | | B | | E ± .016 | F ± .008 | G + .020 - .000 | B | | E ± 0.4 | F ± 0.2 | G + 0.5 - 0.0 |
| Open | Closed | Open | Closed | | | | Open | Closed | | | |
| M85049/2-4C | 10SL | .312 | .094 | .748 | .890 | 1.272 | 7.93 | 2.38 | 19.0 | 22.6 | 32.3 |
| M85049/2-6C | 14S | .438 | .230 | .874 | 1.016 | 1.272 | 11.12 | 5.84 | 22.2 | 25.8 | 32.3 |
| M85049/2-8C | 16 & 16S | .531 | .315 | 1.000 | 1.106 | 1.272 | 13.48 | 8.00 | 25.4 | 28.1 | 32.3 |
| M85049/2-10C | 18 | .625 | .378 | 1.122 | 1.220 | 1.390 | 15.87 | 9.60 | 28.5 | 31.0 | 35.3 |
| M85049/2-12C | 20 & 22 | .748 | .445 | 1.311 | 1.469 | 1.406 | 19.00 | 11.30 | 33.3 | 37.3 | 35.7 |
| M85049/2-16C | 24 & 28 | .937 | .610 | 1.559 | 1.654 | 1.516 | 23.80 | 15.50 | 39.6 | 42.0 | 38.5 |
| M85049/2-20C | 32 | 1.250 | .921 | 1.874 | 2.126 | 1.764 | 31.75 | 23.40 | 47.6 | 54.0 | 44.8 |
| M85049/2-24C | 36 | 1.378 | .921 | 2.122 | 2.248 | 2.031 | 35.00 | 23.40 | 53.9 | 57.1 | 51.6 |
| M85049/2-28C | 40 | 1.624 | 1.177 | 2.374 | 2.500 | 2.031 | 41.25 | 29.90 | 60.3 | 63.5 | 51.6 |
| M85049/2-32C | 44 | 1.866 | 1.421 | 2.622 | 2.811 | 2.189 | 47.40 | 36.10 | 66.6 | 71.4 | 55.6 |

All dimensions for reference only.

GT – accessories

rear mounting data – receptacles, 10-405996
sealing plugs, sealing ranges, backshell torque forces

REAR MOUNTING DATA MAXIMUM PANEL THICKNESS



| Size | Dimension D | | | |
|------|-------------|------|--------|------|
| | GT00/020 | | GT030 | |
| | Inches | (mm) | Inches | (mm) |
| 10SL | .146 | 3.70 | .303 | 7.70 |
| 14S | .146 | 3.70 | .303 | 7.70 |
| 16S | .146 | 3.70 | .303 | 7.70 |
| 16 | .145 | 3.70 | .242 | 6.15 |
| 18 | .145 | 3.70 | .303 | 7.70 |
| 20 | .145 | 3.70 | .303 | 7.70 |
| 22 | .145 | 3.70 | .303 | 7.70 |
| 24 | .207 | 5.25 | .303 | 7.70 |
| 28 | .207 | 5.25 | .343 | 8.70 |
| 32 | .241 | 6.10 | .309 | 7.85 |
| 36 | .241 | 6.10 | .309 | 7.85 |
| 40 | .237 | 6.02 | .309 | 7.85 |

GROMMET HOLE SEALING RANGES

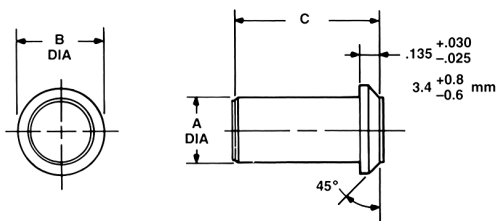
| Hole Size | Sealing Range | |
|-----------|---------------|-------------|
| | (mm) | Inches |
| 16 | 2.3 – 3.0 | .090 – .118 |
| 12 | 3.2 – 4.5 | .126 – .177 |
| 8 | 3.8 – 6.5 | .150 – .256 |
| 4 | 7.1 – 9.3 | .279 – .366 |
| 0 | 10.0 – 13.7 | .394 – .539 |

RECOMMENDED TORQUE FORCES CONNECTOR BACKSHELLS

| Size | In./Lb. Max. |
|------|--------------|
| 10SL | 26 |
| 14S | 44 |
| 16 | 50 |
| 16S | 50 |
| 18 | 55 |
| 20 | 65 |
| 22 | 85 |
| 24 | 90 |
| 28 | 114 |
| 32 | 120 |
| 36 | 153 |
| 40 | 170 |

SEALING PLUG 10-405996-XX

Sealing plugs are used to fill unused holes in multi-holed grommet configurations.



All dimensions for reference only.

| Order No. | Contact Size | Wire Size | Color Code | Inches | | |
|--------------|--------------|-----------|------------|--------------|---------|---------|
| | | | | A Dia. ±.010 | B ±.005 | C ±.010 |
| 10-405996-16 | 16 | 20-16 | Blue | .083 | .133 | .564** |
| 10-405996-12 | 12 | 14-12 | Yellow | .121 | .171 | .564** |
| 10-405996-8 | 8 | 10-8 | White | .185 | .315 | .470 |
| 10-405996-4 | 4 | 4-6 | Blue | .310 | .415 | .470 |
| 10-405996-0 | 0 | 0-2 | Yellow | .440 | .605 | 1.000 |

| Millimeters | | |
|--------------|---------|---------|
| A Dia. ± 0.2 | B ± 0.1 | C ± 0.2 |
| 2.1 | 3.4 | 14.3*** |
| 3.1 | 4.3 | 14.3*** |
| 4.7 | 8.0 | 11.9 |
| 7.9 | 10.5 | 11.9 |
| 11.2 | 15.4 | 25.4 |

** ± .020 (in.) *** ± 0.5 (mm)

GT Connectors

solder contacts

Machined copper alloy contacts in a full range of sizes, with closed entry socket design in the size 12 and 16 contacts. A heavy silver-plated finish is deposited on all MS style solder contacts for maximum corrosion resistance, maximum current carrying capacity and low millivolt drop. Gold plated contacts are also available. (See how to order, pg. 83).

SOLDER CONTACTS*

| Part Number | Pin/Socket | Mating End Size | Wire Barrel Size | Allowable Wire Size | Test Current** Amps |
|-----------------------------|------------|-----------------|------------------|---------------------|---------------------|
| 10-40569 | Pin | 16 Short | 16 | 16 | 13 |
| 10-597107-16() or 10-40568 | Socket | | | 18 | 10 |
| | | | | 20 | 7.5 |
| | | | | 22 | 5 |
| 10-40599 | Pin | 16 Long | 16 | 16 | 13 |
| 10-597107-17() or 10-40598 | Socket | | | 18 | 10 |
| | | | | 20 | 7.5 |
| | | | | 22 | 5 |
| 10-33646 | Pin | 12 | 12 | 12 | 23 |
| 10-597107-13() or 10-33644 | Socket | | | 14 | 17 |
| 10-35531 | Pin | 8 | 8 | 8 | 46 |
| 10-35532 | Socket | | | 10 | 33 |
| 10-35529 | Pin | 4 | 4 | 4 | 80 |
| 10-35530 | Socket | | | 6 | 60 |
| 10-35527 | Pin | 0 | 0 | 0 | 150 |
| | | | | 1 | 125 |
| 10-35528 | Socket | | | 2 | 100 |

* Solder Wells Filled

** Contact ratings as stated are test ratings only. The connector may not withstand full rated current through all contacts continuously. Please note that the electrical data given is not an establishment of electrical safety factors. This is left entirely in the designer's hands as he can best determine which peak voltage, switching surges, transients, etc. can be expected in a particular circuit.

Table I
CONTACT ARRANGEMENT
SERVICE RATING

| MS Service Rating | Recommended Operating Voltage* at Sea Level | | Effective Creepage Distance Nom. | Mechanical Spacing Nom. |
|-------------------|---|----------|----------------------------------|-------------------------|
| | DC | AC (RMS) | | |
| Inst. | 250 | 200 | 1/16 | |
| A | 700 | 500 | 1/8 | 1/16 |
| D | 1250 | 900 | 3/16 | 1/8 |
| E | 1750 | 1250 | 1/4 | 3/16 |
| B | 2450 | 1750 | 5/16 | 1/4 |
| C | 4200 | 3000 | 1 | 5/16 |

* The values listed in Table I represent operating values which include a generous safety factor. It may be necessary for some applications to exceed the operating voltages listed here. If this is necessary, designers will find Table II useful for determining the degree to which the recommended values of Table I can be exceeded.

Table II
ALTITUDE VOLTAGE
DERATING CHART**

| MS Service Rating | Nominal Distance | | Standard Sea Level Conditions | | Pressure Altitude† 50,000 Feet | | Pressure Altitude † 70,000 Feet | |
|-------------------|------------------|----------|------------------------------------|-----------------------|------------------------------------|-----------------------|------------------------------------|-----------------------|
| | Airspace | Creepage | Minimum Flashover Voltage AC (RMS) | Test Voltage AC (RMS) | Minimum Flashover Voltage AC (RMS) | Test Voltage AC (RMS) | Minimum Flashover Voltage AC (RMS) | Test Voltage AC (RMS) |
| | | | | | | | | |
| Inst. | 1/32 | 1/16 | 1400 | 1000 | 550 | 400 | 325 | 260 |
| A | 1/16 | 1/8 | 2800 | 2000 | 800 | 600 | 450 | 360 |
| D | 1/8 | 3/16 | 3600 | 2800 | 900 | 675 | 500 | 400 |
| E | 3/16 | 1/4 | 4500 | 3500 | 1000 | 750 | 550 | 440 |
| B | 1/4 | 5/16 | 5700 | 4500 | 1100 | 825 | 600 | 480 |
| C | 5/16 | 1 | 8500 | 7000 | 1300 | 975 | 700 | 560 |

† Not corrected for changes in density due to variations in temperature

** No attempt has been made to recommend operating voltages. The designer must determine his own operating voltage by the application of a safety factor to the above derating chart to compensate for circuit transients, surges, etc.

GT Connectors

crimp contacts

Machined from copper alloys and silver-plated for maximum corrosion resistance, with a minimum millivolt drop and a maximum current carrying capacity, the size 16 and 12 socket contacts are of the closed entry design. Crimp contacts are available for all MS insert arrangements and are identified with an Amphenol® proprietary number. Gold plated contacts are also available. (See how to order, pg. 83).

CRIMP CONTACTS*

| Part Number | Pin/Socket | Mating End Size | Wire Barrel Size | Allowable Wire Size | Required Wire Adapter Sleeve | Test Current** Amps |
|---------------------------|------------|-----------------|------------------|---------------------|------------------------------|---------------------|
| 10-40553 | Pin | 16 Short | 16 | 16 | — | 13 |
| 10-597109-161 or 10-40552 | Socket | | | 18 | — | 10 |
| | | | | 20 | — | 7.5 |
| | | | | 22* | 10-74696-6 | 5 |
| 10-40557 | Pin | 16 Long | 16 | 16 | — | 13 |
| 10-597109-171 or 10-40556 | Socket | | | 18 | — | 10 |
| | | | | 20 | — | 7.5 |
| | | | | 22* | 10-74696-6 | 5 |
| 10-40561 | Pin | 12 | 12 | 12 | — | 23 |
| 10-597109-131 or 10-40560 | Socket | | | 14 | — | 17 |
| 10-40792 | Pin | 8 | 8 | 8 | — | 46 |
| 10-40793 | Socket | | | 10* | 10-74696-1 | 33 |
| 10-40564 | Pin | 4 | 4 | 4 | — | 80 |
| 10-40565 | Socket | | | 6* | 10-74696-2 | 60 |
| 10-581806 | Pin | 0 | 0 | 0 | — | 150 |
| 10-581808 | Socket | | | 2* | 10-74696-7 | 125 |

* When using wire adapter sleeve shown

** Contact ratings as stated are test ratings only. The connector may not withstand full rated current through all contacts continuously. Please note that the electrical data given is not an establishment of electrical safety factors. This is left entirely in the designer's hands as he can best determine which peak voltage, switching surges, transients, etc. can be expected in a particular circuit.

Additional contact variations are available; consult Amphenol, Sidney, NY for information.

Table I
CONTACT ARRANGEMENT
SERVICE RATING

| MS Service Rating | Recommended Operating Voltage* at Sea Level | | Effective Creepage Distance Nom. | Mechanical Spacing Nom. |
|-------------------|---|----------|----------------------------------|-------------------------|
| | DC | AC (RMS) | | |
| Inst. | 250 | 200 | 1/16 | |
| A | 700 | 500 | 1/8 | 1/16 |
| D | 1250 | 900 | 3/16 | 1/8 |
| E | 1750 | 1250 | 1/4 | 3/16 |
| B | 2450 | 1750 | 5/16 | 1/4 |
| C | 4200 | 3000 | 1 | 5/16 |

* The values listed in Table I represent operating values which include a generous safety factor. It may be necessary for some applications to exceed the operating voltages listed here. If this is necessary, designers will find Table II useful for determining the degree to which the recommended values of Table I can be exceeded.

Table II
ALTITUDE VOLTAGE
DERATING CHART**

| MS Service Rating | Nominal Distance | | Standard Sea Level Conditions | | Pressure Altitude † 50,000 Feet | | Pressure Altitude † 70,000 Feet | |
|-------------------|------------------|----------|------------------------------------|-----------------------|------------------------------------|-----------------------|------------------------------------|-----------------------|
| | Airspace | Creepage | Minimum Flashover Voltage AC (RMS) | Test Voltage AC (RMS) | Minimum Flashover Voltage AC (RMS) | Test Voltage AC (RMS) | Minimum Flashover Voltage AC (RMS) | Test Voltage AC (RMS) |
| | | | | | | | | |
| Inst. | 1/32 | 1/16 | 1400 | 1000 | 550 | 400 | 325 | 260 |
| A | 1/16 | 1/8 | 2800 | 2000 | 800 | 600 | 450 | 360 |
| D | 1/8 | 3/16 | 3600 | 2800 | 900 | 675 | 500 | 400 |
| E | 3/16 | 1/4 | 4500 | 3500 | 1000 | 750 | 550 | 440 |
| B | 1/4 | 5/16 | 5700 | 4500 | 1100 | 825 | 600 | 480 |
| C | 5/16 | 1 | 8500 | 7000 | 1300 | 975 | 700 | 560 |

† Not corrected for changes in density due to variations in temperature

** No attempt has been made to recommend operating voltages. The designer must determine his own operating voltage by the application of a safety factor to the above derating chart to compensate for circuit transients, surges, etc.

MS Standard application tools

When proprietary crimp contacts are employed rather than the standard MS approved solder contacts, the following application tools are recommended for use. There is a possibility of additional crimping tools other than those included being available at present or in the future for this specific application.

Complete instructions for providing reliable crimped wire to contact terminations and inserting proprietary crimp contacts in GT Series connectors are available in publication L-1295.

TOOLING CHART

| Crimping Tool | Positioner/ Turret | Contact Size | Contact Style | Insertion Tool | Removal Tool |
|---------------|-----------------------|--------------|---------------|----------------|---------------------------------------|
| M22520/1-01 | * | 16 | Pin & Socket | 11-7345 | 11-8250 Kit |
| M22520/1-01 | * | 12 | Pin & Socket | 11-7082 | 11-8250 Kit |
| ** | ** | 8 | Pin & Socket | 11-8220 | 11-8250 Kit |
| ** | ** | 4 | Pin & Socket | 11-7365-4 † | Pin 11-7370-4 † Socket 11-7674-2 † |
| ** | ** | 0 | Pin & Socket | 11-7365-5 † | Pin 11-7370-5 † Socket 11-7674-3 † |

* Use Daniels Turret TH29-1 or Astro Tool Co. Turret 616266

** For appropriate crimp tool and positioner refer to Pico Crimping Tool Co.

† Tools used with Arbor Press 11-7364

Amphenol® GT Connectors

how to order, connector intermateability

Part Number System

GT C 00 A 36-5 P W (002)
 1 2 3 4 5 6 7

1. Contact Style and Insert Material

- C = Crimp
- S = Solder
- CY = Crimp with Viton
- SY = Solder with Viton
- CL = Crimp with low smoke/flame retardant inserts
- SL = Solder with low smoke/flame retardant inserts
- No designation required for Neoprene components

2. Shell Style

- 00 - Wall mount receptacle
- 01 - Inline receptacle
- 02 - Box mount receptacle
- 020 - Box mount receptacle with accessory threads
- 030 - Square flange receptacle - rear panel mount
- 05 - Dummy receptacle
- 06 - Straight plug
- 062 - Straight plug with deep serrated coupling nut*
- 064 - Panel mounted plug with heavy duty coupling nut
- 065 - Straight plug with long heavy duty coupling nut
- 07 - Jam nut receptacle - rear panel mount
- 070 - Jam nut receptacle with accessory threads
- 08 - 90° angle plug
- TB - Thru-bulkhead

3. Connector Class

See pages 32–72

4. Shell Size and Arrangement

See pages 2–4
 For thermocouple arrangements, see pages 27–31

5. Contact Style

P designates pin contacts
 S designates socket contacts

6. Alternate Position

W, X, Y and Z - See page 5.
 No suffix required for normal position.

7. Connector Modification*

Omit for standard olive drab with silver plated contacts

- i.e.: (G96) Black anodize
- (014) Olive drab cadmium plate, nickel base
- (A24) gold/nickel plated contacts
- (025) Black zinc cobalt
- (027) Conductive black zinc cobalt
- (024) Green zinc cobalt

MATEABILITY WITH IDENTICAL CONTACT ARRANGEMENTS

| Connector Style | Mateable with Style |
|------------------------|---|
| GT00 | GT06 / 062 / 064 / 065 / 08 |
| GT01 | GT06 / 062 / 064 / 065 / 08 |
| GT02 | GT06 / 062 / 064 / 065 / 08 |
| GT020 | GT06 / 062 / 064 / 065 / 08 |
| GT030 | GT06 / 062 / 064 / 065 / 08 |
| GT06 / 062 / 064 / 065 | GT00 / 01 / 02 / 020 / 03 / 030 / 05 / 070 / TB |
| GT07 / 070 | GT06 / 062 / 064 / 065 / 08 |
| GT08 | GT00 / 01 / 02 / 020 / 03 / 030 / 05 / 070 / TB |
| GTTB | GT06 / 062 / 064 / 065 / 08 |

* Consult Amphenol, Sidney, NY

Special Application GT Connectors

GT-PC Connectors for High Voltage Power Applications

The Amphenol® GT-PC connectors were developed for use in the High Voltage Power Distribution industry. Incorporating all the standard features of the popular GT series, these connectors will prevent accidental electrical shocks to the technicians. "Dead Front" pin contacts in size 0 are recessed into a socket insert, preventing inadvertent contact with a live circuit. The GT-PC series has been UL approved.

"First Mate - Last Break" features on one or more of the pins provide an additional measure of operator safety.

Termination to the conductors is accomplished with an Allen wrench or the traditional crimp or solder method. If Allen wrench is used, torque allen screws 40-50 in. lbs.

Other features of the GT-PC connector include:

- Quick positive coupling; audible, tactile and visual mating indicators
- Full range of shell styles available
- Waterproof
- No lockwiring required
- Wide selection of backshells and adapters available
- Numerous conductive and non-conductive plating options
- Heavy duty, rubber over-molded coupling nut increases gripping surface and prevents damage to the connector in severe environments
- Up to 100 amps per contact, continuous current carrying capability
- Available in insert patterns:
22-7, 36-4, 36-5, 40-5, 40-57
Consult Amphenol Aerospace for availability of other patterns.

For further information on Amphenol® GT-PC connectors, request Product Data Sheet #173 from your local Amphenol sales office or Amphenol, Sidney, NY.



Amphenol® GT-PC Connectors with Features that Provide Increased Operator Safety

GT Connectors for the HMI Lighting Industry

Amphenol provides the GT connector for the HMI lighting industry. These connectors are designed for the rugged use experienced during stage shows and other entertainment events, even outside in the elements. The same GT feature of a three point bayonet coupling system which gives visual and tactile indication of full mating, and the same ruggedness to survive 2000 mating cycles are provided.

Unique features of this connector series include color-coded receptacle shells with matching backshells on the cable plugs. The colors can be matched to specific wattage cables and/or light systems. A wide selection of environment adapters designed to seal on the outside diameter of specific cable diameters can be fitted to the backshells.

Applications for these connectors include power and control of lighting trusses, and portable power and dimmer racks.

For more information on Amphenol® GT connectors for the HMI lighting industry request Product Data Sheet #174 from your local sales office or Amphenol, Sidney, NY