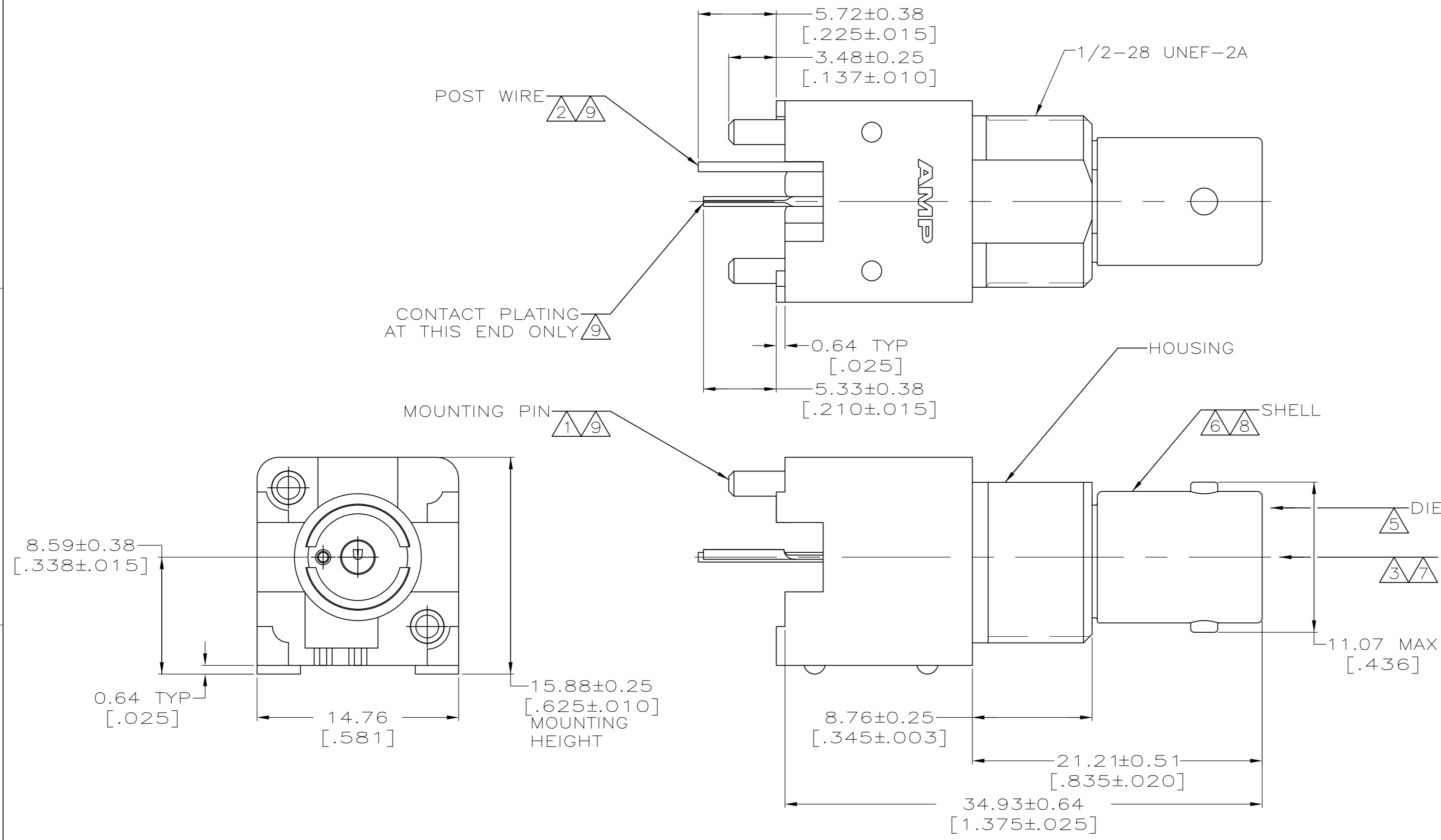
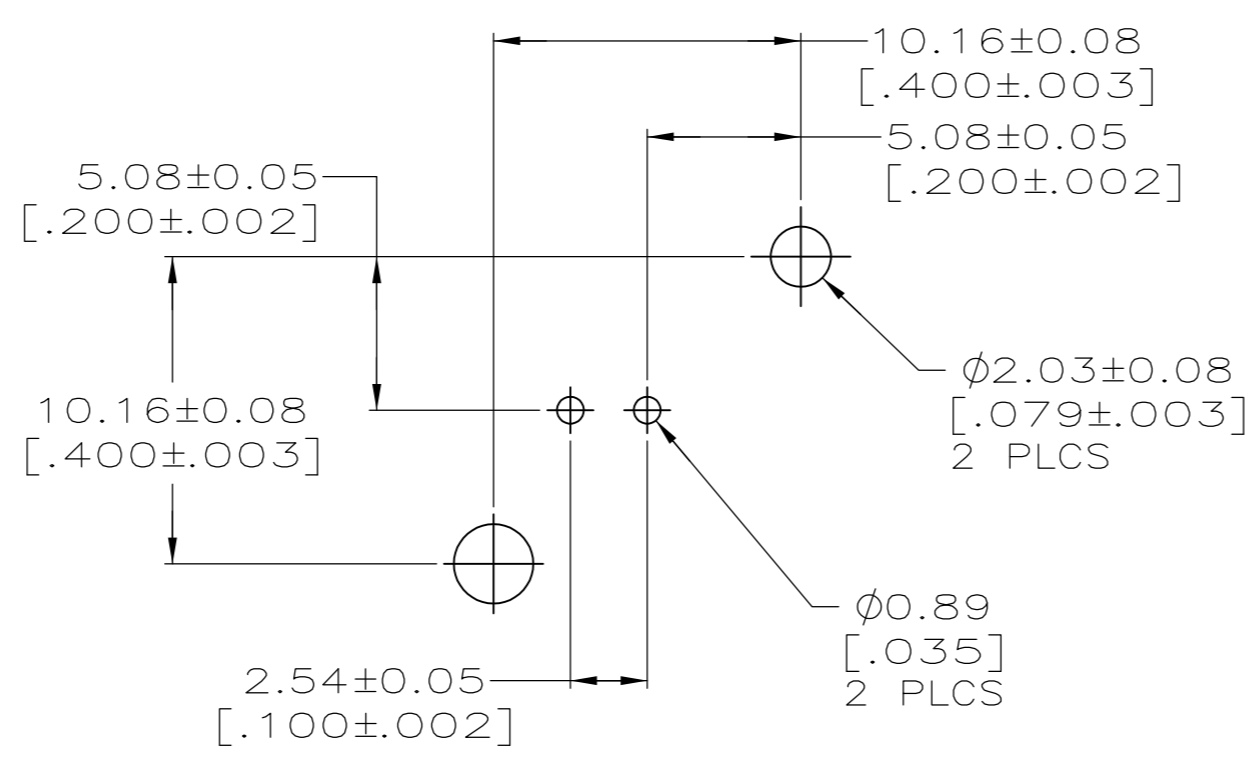
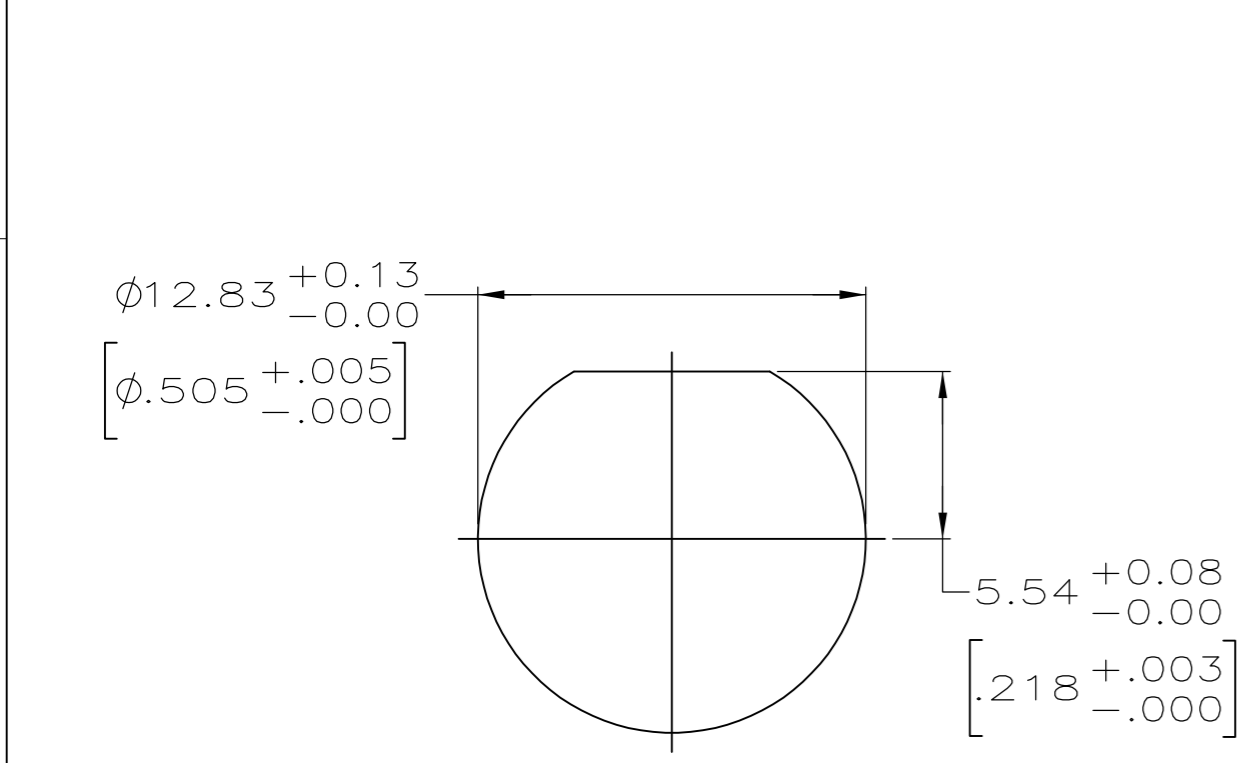


THIS DRAWING IS UNPUBLISHED. RELEASED FOR PUBLICATION  
 © COPYRIGHT BY TYCO ELECTRONICS CORPORATION. ALL RIGHTS RESERVED.

LOC		DIST		REVISIONS			
P	LTR	DESCRIPTION	DATE	DWN	APVD		
AJ	16	B	REV PER ECO 08-009474	7/22/2008	DW	JL	



- 1 BRASS PER ASTM-B-16
- 2 BRASS PER ASTM-B-453
- 3 PHOSPHOR BRONZE PER ASTM-B-103
- 4 POLYESTER PBT PER MIL-M-25419, TYPE GPT-15F, UL94V-0 RATED, COLOR: BLACK
- 5 POLYMETHYLPENTENE: GENERAL PURPOSE
- 6 ZINC DIE CAST PER QQ-Z-363
- 7 GOLD PLATE PER ASTM-B-488, 0.76µm [.000030] MIN THICKNESS
- 8 NICKEL PLATE PER QQ-N-290, 3.81µm [.000150] MIN THICKNESS
- 9 TIN PLATE PER ASTM-B-545, 3.81µm [.000150] MIN THICKNESS
- 10. USE INSTRUCTION SHEET 408-2769
- 11 POLYESTER PBT PER MIL-M-25419, TYPE GPT-15F, UL94V-0 RATED, COLOR: WHITE



11	5415632-2
4	5415632-1
HOUSING MATERIAL	PART NUMBER

THIS DRAWING IS A CONTROLLED DOCUMENT.		DWN	22APR2005	Tyco Electronics Corporation	
		CHK	22APR2005	Harrisburg, Pa 17105-3608	
		APVD	22APR2005	NAME	
		G. ATTADIA - DOCK5		-	
		J. HAVENER		-	
		J. LIPPERT		-	
		PRODUCT SPEC		-	
		108-12078		-	
		APPLICATION SPEC		-	
		-		-	
MATERIAL		FINISH		WEIGHT	
SEE NOTES		SEE NOTES		-	
		CUSTOMER DRAWING		SCALE	
				4:1	
		SHEET		REV	
		1 OF 1		B	