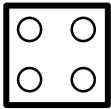


---

## 16-Kbit serial I<sup>2</sup>C bus EEPROM 4 balls CSP



WLCSP (CU)

### Features

- Compatible with all I2C bus modes
  - 1 MHz
  - 400 kHz
- Memory array:
  - 16 Kbits (2 Kbytes) of EEPROM
  - Page size: 16 bytes
  - Additional Write lockable page(Identification page)
- Supply voltage range:
  - 1.6 V to 5.5 V
- Operating temperature range
  - V<sub>CC</sub> = 1.7 V : -40°C / +85°C
  - V<sub>CC</sub> = 1.6 V : -40°C (Read) / 0°C (Write) / +85°C
- Schmitt trigger inputs for noise filtering
- Write
  - Byte Write within 5 ms
  - Page Write within 5 ms
- Random and sequential read modes
- ESD protection
  - Human Body Model: 4 kV
- Write cycle endurance
  - 4 million Write cycles at 25 °C
  - 1.2 million Write cycles at 85 °C
- More than 200-years data retention
- Package:
  - RoHS compliant and halogen free WLCSP(ECOPACK2®)

<b>Product status link</b>
<a href="#">M24C16-DFCU</a>

## 1 Description

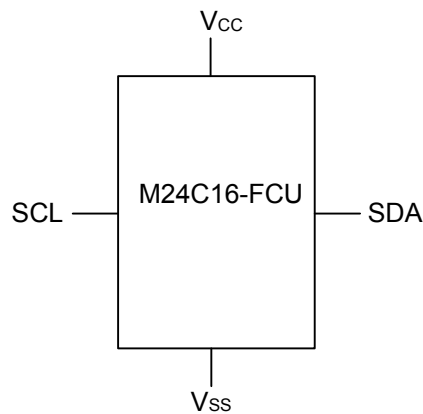
The M24C16-DFCU is a 16-Kbit I2C-compatible EEPROM assembled in a four balls ultra thin chip scale package (WLCSP).

The device is accessed by a simple serial I2C compatible interface running up to 1 MHz.

The M24C16-DFCU memory array is based on advanced true EEPROM technology (electrically erasable programmable memory), organized as 128 pages of 16 bytes, with a data integrity improved with an embedded Error Correction Code logic.

The M24C16-DFCU offers an additional page, named the identification page (16 byte). The identification page can be used to store sensitive application parameters which can be (later) permanently locked in read-only mode.

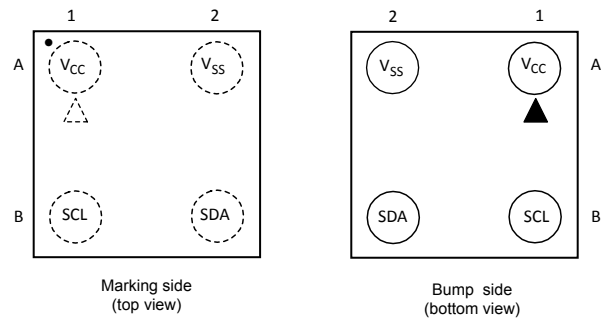
**Figure 1. Logic diagram**



**Table 1. Signal names**

Signal name	Function	Direction
SDA	Serial Data	I/O
SCL	Serial Clock	Input
Vcc	Supply voltage	-
Vss	Ground	-

Figure 2. WLCSP connections (top view, marking side, with balls on the underside)



## 2 Signal description

### 2.1 Serial Clock (SCL)

SCL is an input. The signal applied on the SCL input is used to strobe the data available on SDA(in) and to output the data on SDA(out).

### 2.2 Serial Data (SDA)

SDA is an input/output used to transfer data in or data out of the device. SDA(out) is an open drain output that may be wire-OR'ed with other open drain or open collector signals on the bus. A pull-up resistor must be connected from Serial Data (SDA) to  $V_{CC}$  (Figure 9 indicates how to calculate the value of the pull-up resistor).

### 2.3 $V_{SS}$ (ground)

$V_{SS}$  is the reference for the  $V_{CC}$  supply voltage.

### 2.4 Supply voltage ( $V_{CC}$ )

#### 2.4.1 Operating supply voltage ( $V_{CC}$ )

Prior to selecting the memory and issuing instructions to it, a valid and stable  $V_{CC}$  voltage within the specified [ $V_{CC}(\min)$ ,  $V_{CC}(\max)$ ] range must be applied (see Operating conditions in Section 9 DC and AC parameters). In order to secure a stable DC supply voltage, it is recommended to decouple the  $V_{CC}$  line with a suitable capacitor (usually from 10 nF to 100 nF) close to the  $V_{CC}/V_{SS}$  package pins.

This voltage must remain stable and valid until the end of the transmission of the instruction and, for a write instruction, until the completion of the internal write cycle ( $t_W$ ).

#### 2.4.2 Power-up conditions

The  $V_{CC}$  voltage has to rise continuously from 0 V up to the minimum  $V_{CC}$  operating voltage (see Operating conditions in Section 9 DC and AC parameters) and the rise time must not vary faster than 1 V/ $\mu$ s.

#### 2.4.3 Device reset

In order to prevent inadvertent write operations during power-up, a power-on-reset (POR) circuit is included. At power-up, the device does not respond to any instruction until  $V_{CC}$  has reached the internal reset threshold voltage. This threshold is lower than the minimum  $V_{CC}$  operating voltage (see Operating conditions in Section 9 DC and AC parameters). When  $V_{CC}$  passes over the POR threshold, the device is reset and enters the Standby Power mode; however, the device must not be accessed until  $V_{CC}$  reaches a valid and stable DC voltage within the specified [ $V_{CC}(\min)$ ,  $V_{CC}(\max)$ ] range (see Operating conditions in Section 9 DC and AC parameters). In a similar way, during power-down (continuous decrease in  $V_{CC}$ ), the device must not be accessed when  $V_{CC}$  drops below  $V_{CC}(\min)$ . When  $V_{CC}$  drops below the power-on-reset threshold voltage, the device stops responding to any instruction sent to it.

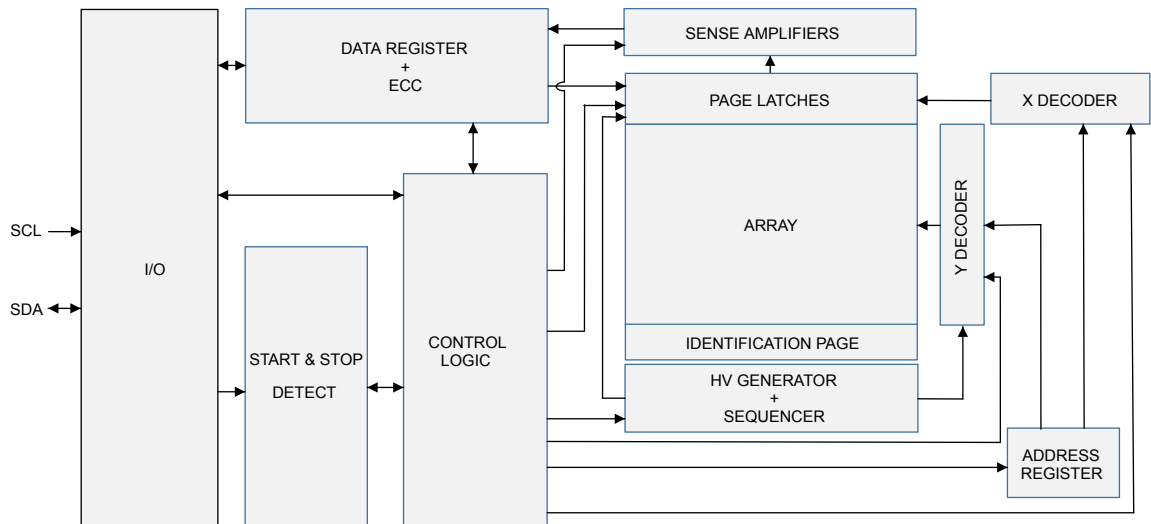
#### 2.4.4 Power-down conditions

During power-down (continuous decrease in  $V_{CC}$ ), the device must be in the standby power mode (mode reached after decoding a stop condition, assuming that there is no internal write cycle in progress).

### 3 Memory organization

The memory is organized as shown below.

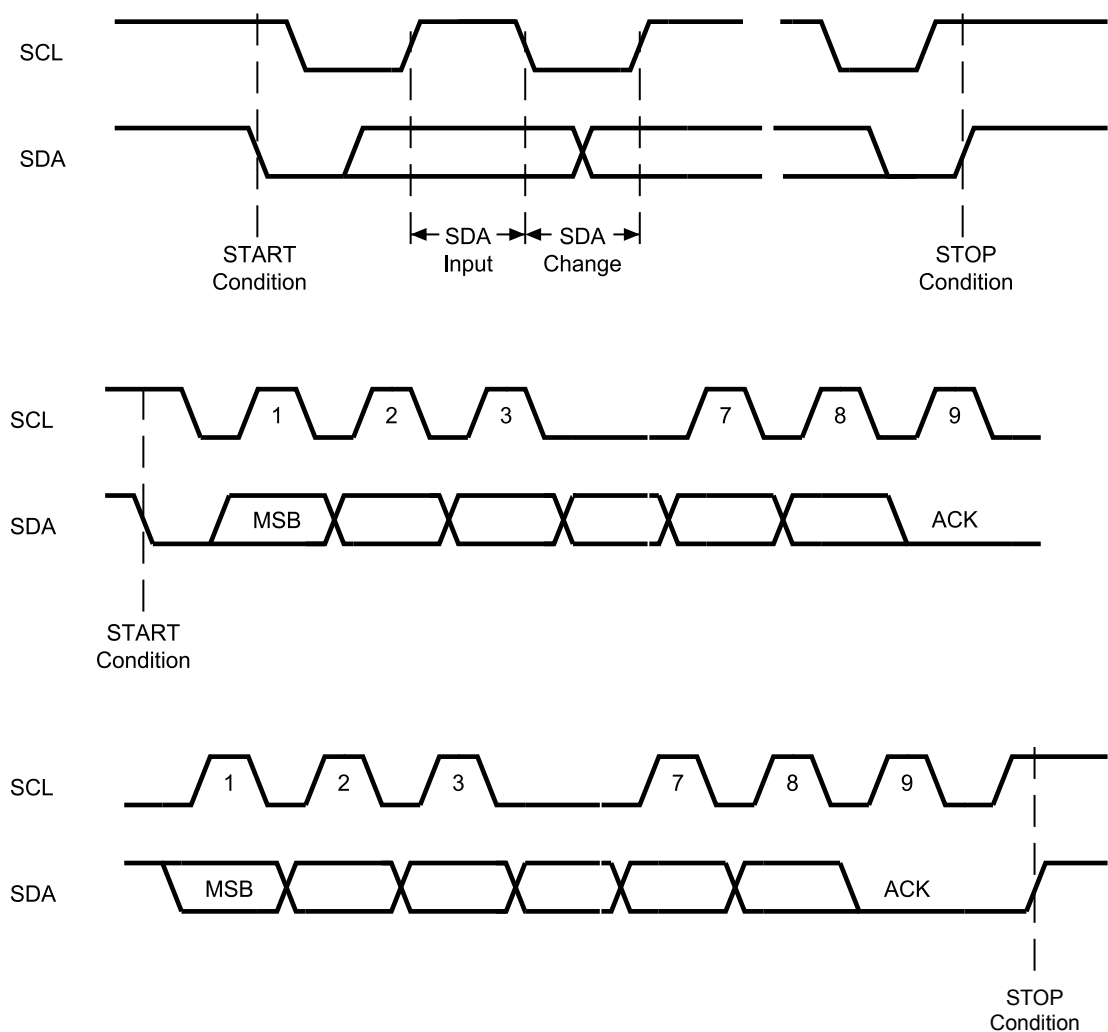
Figure 3. Block diagram



## 4 Device operation

The device supports the I<sup>2</sup>C protocol. This is summarized in Figure 4. Any device that sends data on to the bus is defined to be a transmitter, and any device that reads the data to be a receiver. The device that controls the data transfer is known as the bus master, and the other as the slave device. A data transfer can only be initiated by the bus master, which will also provide the serial clock for synchronization. The device is always a slave in all communications.

Figure 4. I<sup>2</sup>C bus protocol



#### 4.1 Start condition

Start is identified by a falling edge of serial data (SDA) while serial clock (SCL) is stable in the high state. A start condition must precede any data transfer instruction. The device continuously monitors (except during a write cycle) serial data (SDA) and serial clock (SCL) for a start condition.

#### 4.2 Stop condition

Stop is identified by a rising edge of serial data (SDA) while serial clock (SCL) is stable and driven high. A stop condition terminates communication between the device and the bus master. A read instruction that is followed by No ACK can be followed by a stop condition to force the device into the standby mode.

A stop condition at the end of a write instruction triggers the internal write cycle.

#### 4.3 Data input

During data input, the device samples serial data (SDA) on the rising edge of serial clock (SCL). For correct device operation, serial data (SDA) must be stable during the rising edge of serial clock (SCL), and the serial data (SDA) signal must change only when serial clock (SCL) is driven low.

#### 4.4 Acknowledge bit (ACK)

The acknowledge bit is used to indicate a successful byte transfer. The bus transmitter, whether it be bus master or slave device, releases serial data (SDA) after sending eight bits of data. During the 9<sup>th</sup> clock pulse period, the receiver pulls serial data (SDA) low to acknowledge the receipt of the eight data bits.

## 4.5 Device addressing

To start communication between the bus master and the slave device, the bus master must initiate a Start condition. Following this, the bus master sends the device select code, shown in [Table 3](#) (on Serial Data (SDA), most significant bit first).

**Table 2. Device select code**

	Device type identifier <sup>(1)</sup>				Chip Enable address			
	b7	b6	b5	b4	b3	b2	b1	b0
When accessing the memory	1	0	1	0	A10	A9	A8	RW
When accessing the identification page	1	0	1	1	X <sup>(2)</sup>	X <sup>(2)</sup>	X <sup>(2)</sup>	RW

1. The most significant bit, b7, is sent first.
2. X: bit is Don't Care

The 8<sup>th</sup> bit is the Read/Write bit (RW). This bit is set to 1 for Read and 0 for Write operations.

If a match occurs on the device select code, the corresponding device gives an acknowledgement on Serial Data (SDA) during the 9<sup>th</sup> bit time.

If the device does not match the device select code, the device deselects itself from the bus, and goes into Standby mode (therefore will not acknowledge the device select code).

**Table 3. Significant address bits**

		Memory (Device type identifier = 1010b)		Identification page (Device type identifier = 1011b) <sup>(1)</sup>				Read lock status
		Random Address Read	Write	Read Identification page	Write Identification page	Lock Identification page		
Most significant address bits	b3 <sup>(2)</sup>	A10	A10	X	X	X	see <a href="#">Section 5.2.4</a>	
	b2 <sup>(2)</sup>	A9	A9	X	X	X		
	b1 <sup>(2)</sup>	A8	A8	X	X	X		
Address byte	b7	A7	A7	0	0	1		
	b6	A6	A6	X	X	X		
	b5	A5	A5	X	X	X		
	b4	A4	A4	X	X	X		
	b3	A3	A3	A3	A3	X		
	b2	A2	A2	A2	A2	X		
	b1	A1	A1	A1	A1	X		
b0	A0	A0	A0	A0	X			

1. X: bit is Don't Care
2. Address bits defined inside the DeviceSelect code (see [Table 2](#)).



## 5 Instructions

### 5.1 Write operations

For a Write operation, the bus master sends a Start condition followed by a device select code with the R/W bit reset to 0. The device acknowledges this, as shown in Figure 5, and waits for the master to send the address byte with an acknowledge bit, and then waits for the data byte.

When the bus master generates a Stop condition immediately after a data byte Ack bit (in the “10th bit” time slot), either at the end of a Byte Write or a Page Write, the internal Write cycle  $t_W$  is then triggered. A Stop condition at any other time slot does not trigger the internal Write cycle.

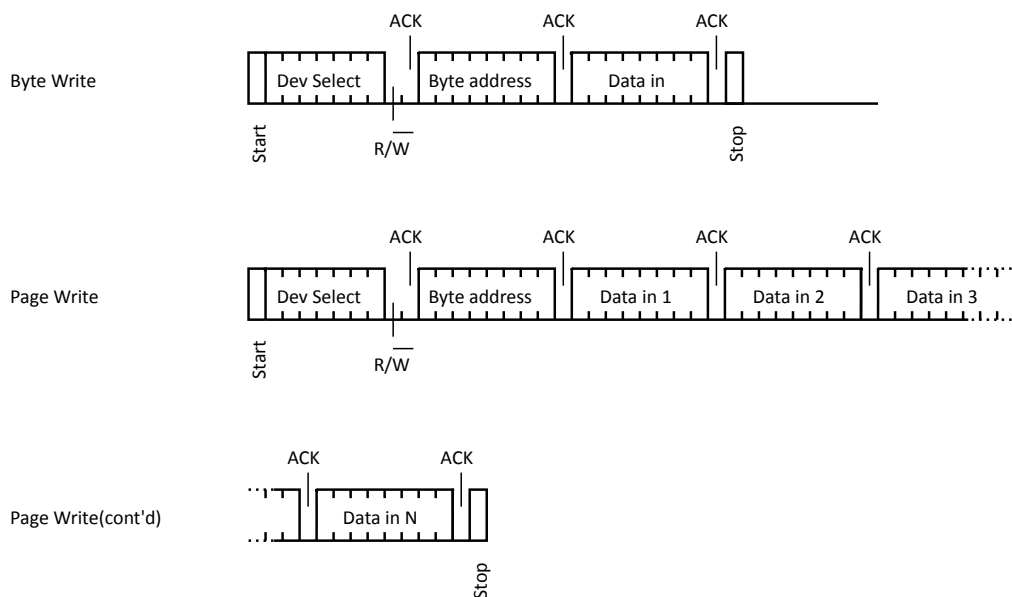
During the internal Write cycle, Serial Data (SDA) is disabled internally, and the device does not respond to any requests.

After the successful completion of an internal Write cycle ( $t_W$ ), the device internal address counter is automatically incremented to point to the next byte after the last modified byte.

#### 5.1.1 Byte Write

After the device select code and the address bytes, the bus master sends one data byte. The device replies with Ack, as shown in . The bus master shall terminate the transfer by generating a Stop condition.

Figure 5. Write mode sequence (data write enabled)



#### 5.1.2 Page Write

The Page Write mode allows up to N(a) bytes to be written in a single Write cycle, provided that they are all located in the same page in the memory: that is, the most significant memory address bits, A10/A4, are the same. If more bytes are sent than will fit up to the end of the page, a condition known as “roll-over” occurs. In case of roll-over, the first bytes of the page are overwritten.

*Note:* After each byte is transferred, the internal byte address counter is incremented. The transfer is terminated by the bus master generating a Stop condition.

#### 5.1.3 Write Identification Page

The Identification Page (16 bytes) is an additional page which can be written and (later) permanently locked in Read-only mode. It is written by issuing the Write Identification Page instruction. This instruction uses the same protocol and format as Page Write (into memory array), except for the following differences:

- Device type identifier = 1011b

- Most significant address bits A10/A4 are don't care, except for address bit A7 which must be "0". Least significant address bits A3/A0 define the byte location inside the Identification page.

If the Identification page is locked, the data bytes transferred during the Write Identification Page instruction are not acknowledged (NoAck).

#### 5.1.4 Lock Identification Page

The Lock Identification Page instruction (Lock ID) permanently locks the Identification page in Read-only mode. The Lock ID instruction is similar to Byte Write (into memory array) with the following specific conditions:

- Device type identifier = 1011b
- Address bit A7 must be '1'; all other address bits are don't care
- The data byte must be equal to the binary value xxxx xx1x, where x is don't care

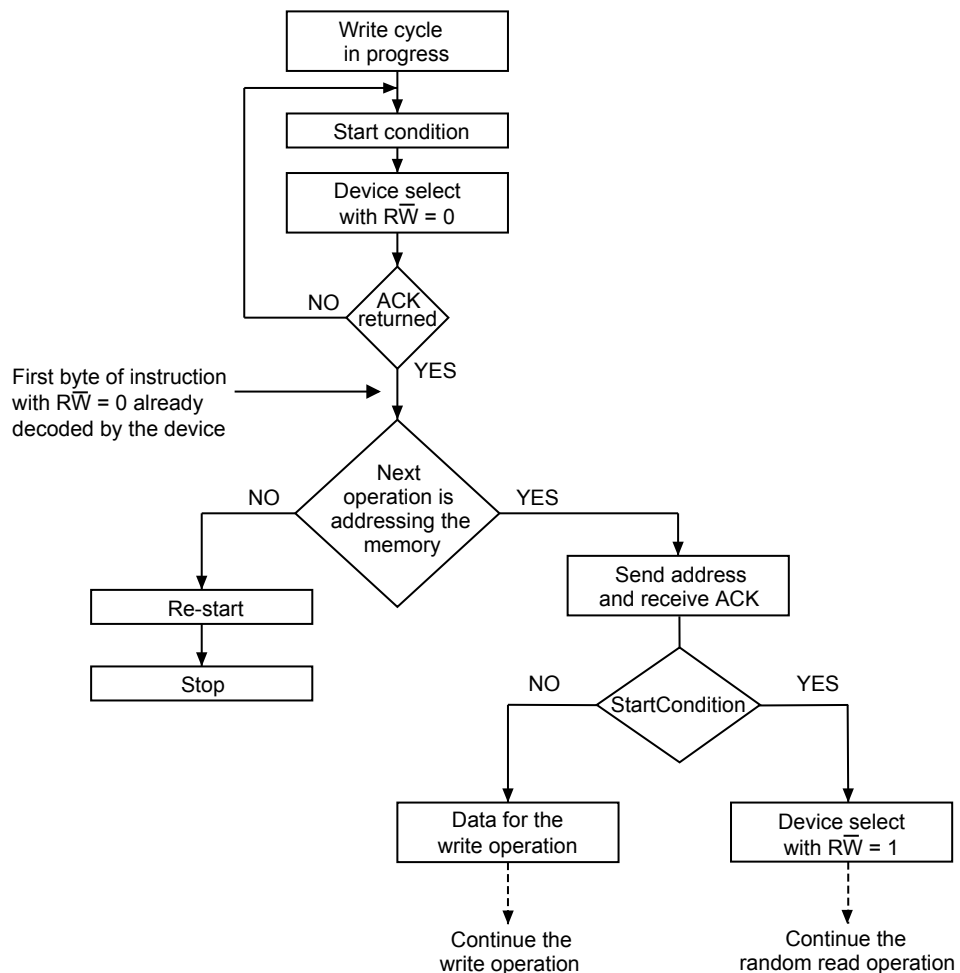
### 5.1.5 Minimizing Write delays by polling on ACK

During the internal Write cycle, the device disconnects itself from the bus, and writes a copy of the data from its internal latches to the memory cells. The maximum Write time ( $t_w$ ) is shown in AC characteristics tables in [Section 9 DC and AC parameters](#), but the typical time is shorter. To make use of this, a polling sequence can be used by the bus master.

The sequence, as shown in [Figure 6. Write cycle polling flowchart using ACK](#), is:

- Initial condition: a Write cycle is in progress.
- Step 1: the bus master issues a Start condition followed by a device select code (the first byte of the new instruction).
- Step 2: if the device is busy with the internal Write cycle, no Ack will be returned and the bus master goes back to Step 1. If the device has terminated the internal Write cycle, it responds with an Ack, indicating that the device is ready to receive the second part of the instruction (the first byte of this instruction having been sent during Step 1).

Figure 6. Write cycle polling flowchart using ACK



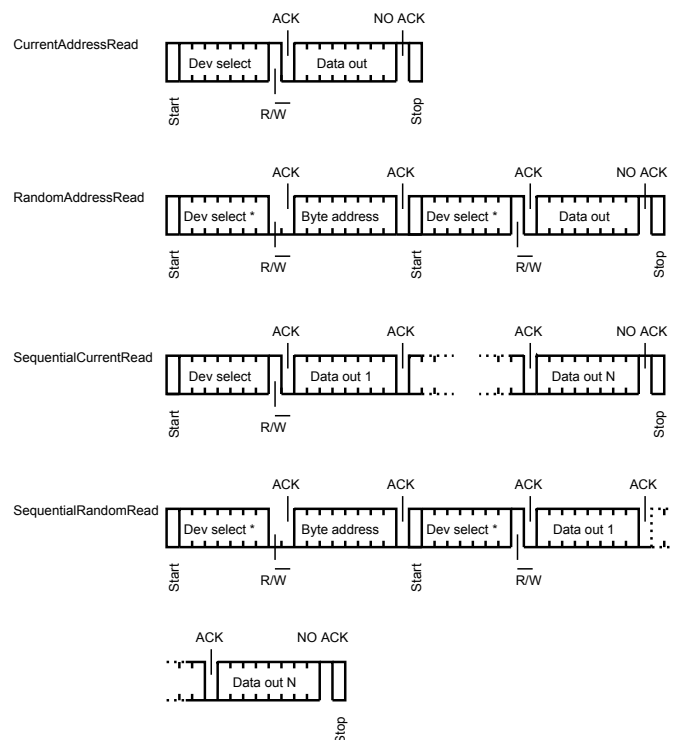
1. The seven most significant bits of the Device Select code of a Random Read (bottom right box in the figure) must be identical to the seven most significant bits of the Device Select code of the Write (polling instruction in the figure).

## 5.2 Read operations

After the successful completion of a Read operation, the device internal address counter is incremented by one, to point to the next byte address.

For the Read instructions, after each byte read (data out), the device waits for an acknowledgment (data in) during the 9th bit time. If the bus master does not acknowledge during this 9thth time, the device terminates the data transfer and switches to its Standby mode.

Figure 7. Read mode sequences



### 5.2.1 Random address read

The Random address read is a sequence composed of a truncated write sequence (to define a new address pointer value, see Table 3) followed by a current Read.

Therefore the random address read sequence is the sum of [start + device select code with R/W=0 + address byte] (without stop condition, as shown in Figure 7) and [start condition + device select code with R/W=1]. The memory device acknowledges the sequence and then outputs the contents of the addressed byte. To terminate the data transfer, the bus master does not acknowledge the last data byte and then issues a Stop condition.

### 5.2.2 Current address read

For the current address read operation, following a start condition, the bus master only sends a device select code with the R/W bit set to 1. The device acknowledges this, and outputs the byte addressed by the internal address counter. The counter is then incremented. The bus master terminates the transfer with a Stop condition, as shown in Figure 9, without acknowledging the byte.

Note that the address counter value is defined by instructions accessing either the memory or the identification page. When accessing the identification page, the address counter value is loaded with the Identification page byte location, when accessing the memory, it is safer to always use the random address read instruction (this instruction loads the address counter with the byte location to read in the memory) instead of the current address read instruction.

### 5.2.3 Sequential read

This operation can be used after a current address read or a random address read. The bus master does acknowledge the data byte output, and sends additional clock pulses so that the device continues to output the next byte in sequence. To terminate the stream of bytes, the bus master must not acknowledge the last byte, and must generate a Stop condition, as shown in [Figure 9](#).

The output data comes from consecutive addresses, with the internal address counter automatically incremented after each byte output. After the last memory address, the address counter “rolls-over”, and the device continues to output data from memory address 00h.

### 5.2.4 Read identification page

The identification page can be read by issuing a read identification page instruction. This instruction uses the same protocol and format as the random address read (from memory array) with device type identifier defined as 1011b. The most significant address bits A10/A4 are don't care except bit A7 which must be 0, the least significant address bits A3/A0 define the byte location inside the Identification page. The number of bytes to read in the ID page must not exceed the page boundary.

### 5.2.5 Read the lock status

The locked/unlocked status of the Identification page can be checked by transmitting a specific truncated command [identification page write instruction plus one data byte] to the device. The device returns an acknowledge bit after the data byte if the identification page is unlocked, otherwise a No ACK bit if the identification page is locked. After this, it is recommended to transmit to the device a start condition followed by a stop condition, so that:

- Start: the truncated command is not executed because the start condition resets the device internal logic,
- Stop: the device is then set back into standby mode by the stop condition.

### 5.2.6 Acknowledge in read mode

For all read instructions, after each byte sent out, the device waits for an acknowledgment from the bus master during the “9th bit” time slot. If the bus master does not send the acknowledge (the master drives SDA high during the 9th bit time), the device terminates the data transfer and enters its standby mode.

## 6 Application design recommendations

### 6.1 Supply voltage

#### 6.1.1 Operating supply voltage (VCC)

Prior to selecting the memory and issuing instructions to it, a valid and stable VCC voltage within the specified [VCC(min), VCC(max)] range must be applied (see [Table 5](#)).

This voltage must remain stable and valid until the end of the transmission of the instruction and, for a Write instruction, until the completion of the internal Write cycle ( $t_W$ ). In order to secure a stable DC supply voltage, it is recommended to decouple the VCC line with a suitable capacitor (usually of the order of 10 nF to 100 nF) close to the VCC/VSS package pins.

#### 6.1.2 Power-up conditions

When the power supply is turned on, the VCC voltage has to rise continuously from 0 V up to the minimum VCC operating voltage defined in see [Table 5](#).

In order to prevent inadvertent write operations during power-up, a power-on-reset (POR) circuit is included.

At power-up, the device does not respond to any instruction until VCC reaches the internal threshold voltage (this threshold is defined in the DC characteristic [Table 10](#) as VRES).

When VCC passes over the POR threshold, the device is reset and in the following state:

- in the Standby power mode
- deselected

As soon as the VCC voltage has reached a stable value within the [VCC(min), VCC(max)] range (defined in [Table 5](#)), the device is ready for operation.

#### 6.1.3 Power-down

During power-down (continuous decrease in the VCC supply voltage below the minimum VCC operating voltage defined in [Table 5](#)), the device must be in Standby power mode (that is after a STOP condition or after the completion of the Write cycle  $t_W$  if an internal Write cycle is in progress).

### 6.2 Error correction code (ECC x 1)

The error correction code (ECC x 1) is an internal logic function which is transparent for the I2C communication protocol.

The ECC x 1 logic is implemented on each byte of the memory array. If a single bit out of the byte happens to be erroneous during a Read operation, the ECC x 1 detects this bit and replaces it with the correct value. The read reliability is therefore much improved.

## **7 Initial delivery state**

---

The device is delivered with all the memory array bits and identification page bits set to 1 (each byte contains FFh).

## 8 Maximum rating

Stressing the device outside the ratings listed in [Table 4](#) may cause permanent damage to the device. These are stress ratings only, and operation of the device at these, or any other conditions outside those indicated in the operating sections of this specification, is not implied. Exposure to absolute maximum rating conditions for extended periods may affect device reliability.

**Table 4. Absolute maximum ratings**

Symbol	Parameter	Min.	Max.	Unit
	Ambient operating temperature	-40	130	°C
T <sub>STG</sub>	Storage temperature	-65	150	°C
T <sub>LEAD</sub>	Lead temperature during soldering	see note <sup>(1)</sup>		°C
V <sub>IO</sub>	Input or output range	-0.50	6	V
I <sub>OL</sub>	DC output current (SDA = 0)	-	5	mA
V <sub>CC</sub>	Supply voltage	-0.50	6	V
V <sub>ESD</sub>	Electrostatic pulse (Human Body model) <sup>(2)</sup>	-	4000	V

1. Compliant with JEDEC standard J-STD-020D (for small-body, Sn-Pb or Pb assembly), the ST ECOPACK® 7191395 specification, and the European directive on Restrictions on Hazardous Substances (RoHS directive 2011/65/EU of July 2011).
2. Positive and negative pulses applied on different combinations of pin connections, according to AECQ100-002 (compliant with ANSI/ESDA/JEDEC JS-001-2012, C1=100 pF, R1=1500 Ω).



## 9 DC and AC parameters

This section summarizes the operating and measurement conditions, and the DC and AC characteristics of the device.

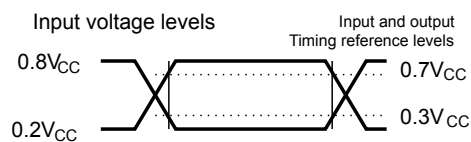
**Table 5. Operating conditions**

Symbol	Parameter	Min.		Max.	Unit
$V_{CC}$	Supply voltage	1.6	1.7	5.5	V
$T_A$	Ambient operating temperature: Read	-40	-40	85	°C
	Ambient operating temperature: Write	0	-40		
$f_C$	Operating clock frequency @1.6 V	-		400	kHz
	Operating clock frequency @1.7 V	-		1000	

**Table 6. AC measurement conditions**

Symbol	Parameter	Min.	Max.	Unit
$C_{bus}$	Load capacitance	-	100	pF
-	SCL input rise/fall time, SDA input fall time	-	50	ns
-	Input levels	0.2 $V_{CC}$ to 0.8 $V_{CC}$		V
-	Input and output timing reference levels	0.3 $V_{CC}$ to 0.7 $V_{CC}$		V

**Figure 8. AC measurement I/O waveform**



**Table 7. Input parameters**

Symbol	Parameter <sup>(1)</sup>	Test condition	Min.	Max.	Unit
$C_{IN}$	Input capacitance (SDA)	-	-	8	pF
$C_{IN}$	Input capacitance (other pins)	-	-	6	pF

1. Characterized only, not tested in production.

**Table 8. Cycling performance**

Symbol	Parameter	Test condition	Max.	Unit
Ncycle	Write cycle endurance <sup>(1)</sup>	$T_A \leq 25\text{ }^\circ\text{C}$ , $V_{CC}(\text{min}) < V_{CC} < V_{CC}(\text{max})$	4,000,000	Write cycles <sup>(2)</sup>
		$T_A = 85\text{ }^\circ\text{C}$ , $V_{CC}(\text{min}) < V_{CC} < V_{CC}(\text{max})$	1,000,000	

1. The write cycle endurance is defined by characterization and qualification.
2. A write cycle is executed when either a page write, a byte write, a write identification page or a lock identification page instruction is decoded.

**Table 9. Memory cell data retention**

Parameter	Test condition	Min.	Unit
Data retention <sup>(1)</sup>	$T_A = 55\text{ }^\circ\text{C}$	200	Years

1. The data retention behavior is checked in production, while the data retention limit defined in this table is extracted from characterization and qualification results.

**Table 10. DC characteristics**

Symbol	Parameter	Test condition	Min	Max.	Unit
$I_{LI}$	Input leakage current (SCL, SDA)	$V_{IN} = V_{SS}$ or $V_{CC}$ , device in Standby mode	-	$\pm 2$	$\mu A$
$I_{LO}$	Output leakage current	SDA in Hi-Z, external voltage applied on SDA: $V_{SS}$ or $V_{CC}$	-	$\pm 2$	$\mu A$
$I_{CC}$	Supply current (Read)	$f_C = 400$ kHz, $V_{CC} = 5.5$ V	-	2	mA
		$f_C = 400$ kHz, $V_{CC} = 2.5$ V	-	2	
		$f_C = 400$ kHz, $V_{CC} = 1.8$ V	-	1	
		$f_C = 1$ MHz, $V_{CC} = 5.5$ V	-	2	
		$f_C = 1$ MHz, $V_{CC} = 2.5$ V	-	2	
		$f_C = 1$ MHz, $V_{CC} = 1.8$ V	-	2	
$I_{CC0}$	Supply current (Write)	During $t_W$	-	2 <sup>(1)</sup>	mA
$I_{CC1}$	Standby supply current	Device not selected, $t^\circ = 85$ °C, $V_{IN} = V_{SS}$ or $V_{CC}$ , $V_{CC} = 1.8$ V	-	1	$\mu A$
		Device not selected <sup>(2)</sup> , $t^\circ = 85$ °C $V_{IN} = V_{SS}$ or $V_{CC}$ , $V_{CC} = 2.5$ V	-	2	
		Device not selected <sup>(2)</sup> , $t^\circ = 85$ °C, $V_{IN} = V_{SS}$ or $V_{CC}$ , $V_{CC} = 5.5$ V	-	3	
$V_{IL}$	Input low voltage (SCL, SDA)	-	-0.45	$0.3 V_{CC}$	V
$V_{IH}$	Input high voltage (SCL, SDA)	-	$0.7 V_{CC}$	6.5	V
$V_{OL}$	Output low voltage	$I_{OL} = 2.1$ mA, $V_{CC} = 2.5$ V or $I_{OL} = 3$ mA, $V_{CC} = 5.5$ V	-	0.4	V
		$I_{OL} = 1$ mA, $V_{CC} = 1.8$ V	-	0.3	
		-	0.5	1.5	
$V_{RES}$ <sup>(1)</sup>	Internal reset threshold voltage	-	0.5	1.5	V

1. Characterized only, not 100% tested.

2. The device is not selected after power-up, after a read instruction (after the stop condition), or after the completion of the internal write cycle  $t_W$  ( $t_W$  is triggered by the correct decoding of a write instruction).

**Table 11. 400 kHz AC characteristics**

Symbol	Alt.	Parameter	Min.	Max.	Unit
$f_C$	$f_{SCL}$	Clock frequency	-	400	kHz
$t_{CHCL}$	$t_{HIGH}$	Clock pulse width high	600	-	ns
$t_{CLCH}$	$t_{LOW}$	Clock pulse width low	1300	-	ns
$t_{QL1QL2}^{(1)}$	$t_F$	SDA (out) fall time	20	120	ns
$t_{XH1XH2}$	$t_R$	Input signal rise time	(2)	(2)	ns
$t_{XL1XL2}$	$t_F$	Input signal fall time	(2)	(2)	ns
$t_{DXCH}$	$t_{SU:DAT}$	Data in set up time	100	-	ns
$t_{CLDX}$	$t_{HD:DAT}$	Data in hold time	0	-	ns
$t_{CLQX}^{(3)}$	$t_{DH}$	Data out hold time	100	-	ns
$t_{CLQV}^{(4)}$	$t_{AA}$	Clock low to next data valid (access time)	-	900	ns
$t_{CHDL}$	$t_{SU:STA}$	Start condition setup time	600	-	ns
$t_{DLCL}$	$t_{HD:STA}$	Start condition hold time	600	-	ns
$t_{CHDH}$	$t_{SU:STO}$	Stop condition set up time	600	-	ns
$t_{DHDL}$	$t_{BUF}$	Time between Stop condition and next Start condition	1300	-	ns
$t_W$	$t_{WR}$	Write time	-	5	ms
$t_{NS}^{(1)}$		Pulse width ignored (input filter on SCL and SDA) - single glitch	-	80	ns

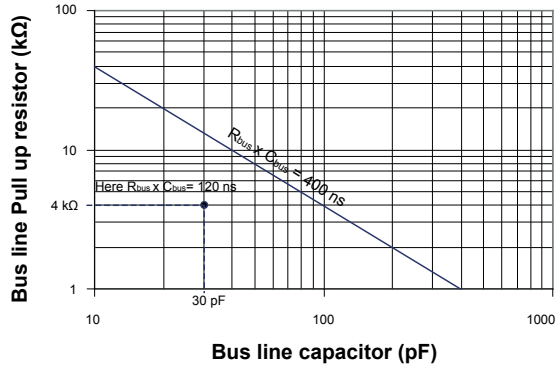
1. Characterized only, not tested in production.
2. There is no min. or max. value for the input signal rise and fall times. It is however recommended by the I<sup>2</sup>C specification that the input signal rise and fall times be more than 20 ns and less than 300 ns when  $f_C < 400$  kHz.
3. The min value for  $t_{CLQX}$  (Data out hold time) offers a safe timing to bridge the undefined region of the falling edge SCL.
4.  $t_{CLQV}$  is the time (from the falling edge of SCL) required by the SDA bus line to reach either  $0.3V_{CC}$  or  $0.7V_{CC}$ , assuming that  $R_{bus} \times C_{bus}$  time constant is less than 400 ns.

**Table 12. 1 MHz AC characteristics**

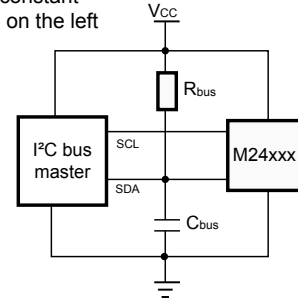
Symbol	Alt.	Parameter	Min.	Max.	Unit
$f_C$	$f_{SCL}$	Clock frequency	0	1	MHz
$t_{CHCL}$	$t_{HIGH}$	Clock pulse width high	260	-	ns
$t_{CLCH}$	$t_{LOW}$	Clock pulse width low	500	-	ns
$t_{XH1XH2}$	$t_R$	Input signal rise time	(1)	(1)	ns
$t_{XL1XL2}$	$t_F$	Input signal fall time	(1)	(1)	ns
$t_{QL1QL2}^{(2)}$	$t_F$	SDA (out) fall time	20	120	ns
$t_{DXCH}$	$t_{SU:DAT}$	Data in setup time	50	-	ns
$t_{CLDX}$	$t_{HD:DAT}$	Data in hold time	0	-	ns
$t_{CLQX}^{(3)}$	$t_{DH}$	Data out hold time	100	-	ns
$t_{CLQV}^{(4)}$	$t_{AA}$	Clock low to next data valid (access time)	-	450	ns
$t_{CHDL}$	$t_{SU:STA}$	Start condition setup time	250	-	ns
$t_{DLCL}$	$t_{HD:STA}$	Start condition hold time	250	-	ns
$t_{CHDH}$	$t_{SU:STO}$	Stop condition setup time	250	-	ns
$t_{DHDL}$	$t_{BUF}$	Time between Stop condition and next Start condition	500	-	ns
$t_W$	$t_{WR}$	Write time	-	5	ms
$t_{NS}^{(2)}$	-	Pulse width ignored (input filter on SCL and SDA)	-	80	ns

1. There is no min. or max. values for the input signal rise and fall times. However, it is recommended by the I<sup>2</sup>C specification that the input signal rise and fall times be more than 20 ns and less than 120 ns when  $f_C < 1$  MHz.
2. Characterized only, not tested in production.
3. To avoid spurious Start and Stop conditions, a minimum delay is placed between SCL=1 and the falling or rising edge of SDA.
4.  $t_{CLQV}$  is the time (from the falling edge of SCL) required by the SDA bus line to reach either 0.3  $V_{CC}$  or 0.7  $V_{CC}$ , assuming that the  $R_{bus} \times C_{bus}$  time constant is within the values specified in Figure 9.

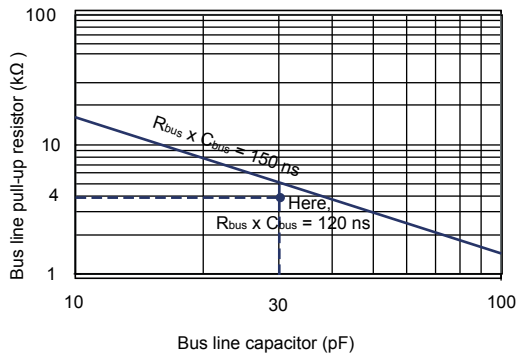
**Figure 9. Maximum  $R_{bus}$  value versus bus parasitic capacitance ( $C_{bus}$ ) for an I<sup>2</sup>C bus at maximum frequency  $f_C = 400$  kHz**



The  $R_{bus} \times C_{bus}$  time constant must be below the 400 ns time constant line represented on the left



**Figure 10. Maximum  $R_{bus}$  value versus bus parasitic capacitance ( $C_{bus}$ ) for an I<sup>2</sup>C bus at maximum frequency  $f_C = 1$  MHz**



The  $R_{bus} \times C_{bus}$  time constant must be below the 150 ns time constant line represented on the left

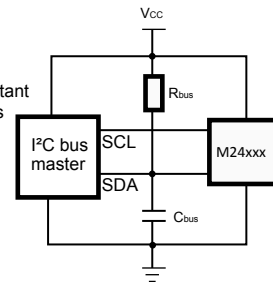
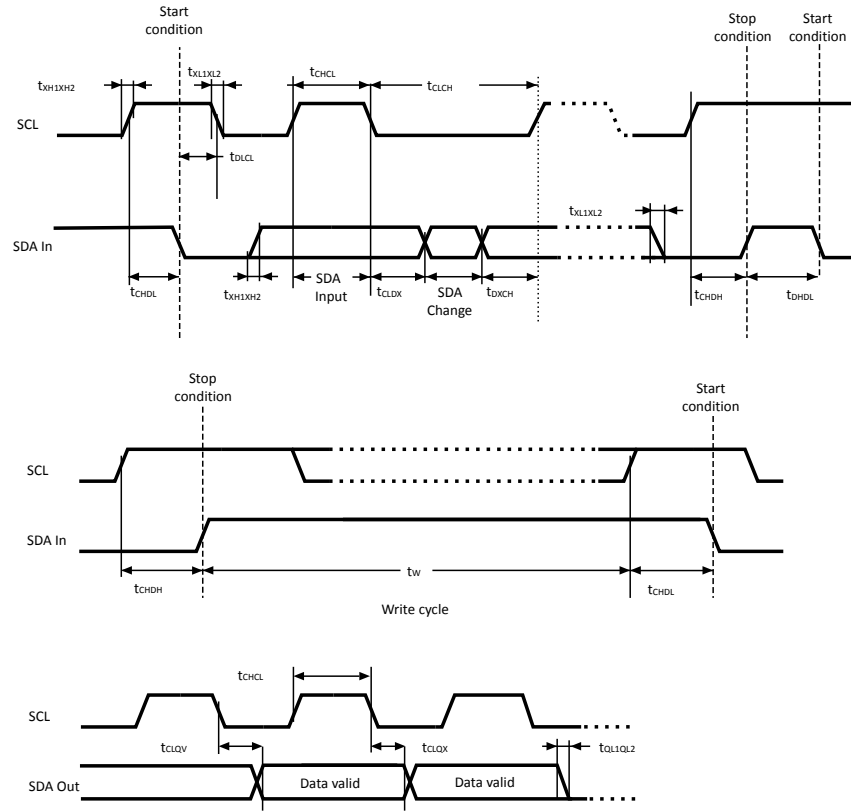


Figure 11. AC waveforms

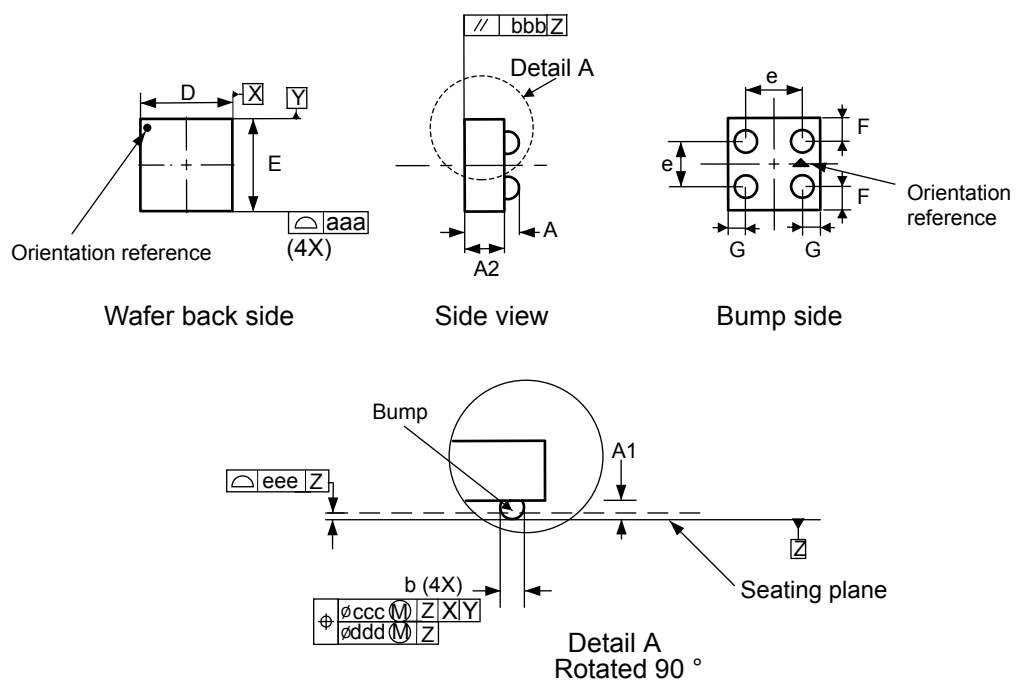


## 10 Package information

In order to meet environmental requirements, ST offers these devices in different grades of ECOPACK<sup>®</sup> packages, depending on their level of environmental compliance. ECOPACK<sup>®</sup> specifications, grade definitions and product status are available at: [www.st.com](http://www.st.com). ECOPACK<sup>®</sup> is an ST trademark.

### 10.1 WLCSP4 ultra thin package information

Figure 12. Ultra thin WLCSP- 4 bumps, 0.725 x 0.819 mm,, wafer level chip scale package outline



1. Drawing is not to scale.
2. Primary datum Z and seating plane are defined by the spherical crowns of the bump.

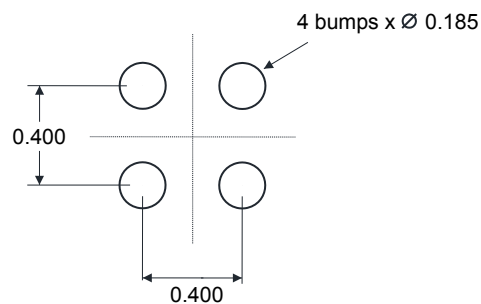


**Table 13.** Ultra thin WLCSP- 4 bumps, 0.725 x 0.819 mm,, wafer level chip scale package mechanical data

Symbol	millimeters			inches		
	Min	Typ	Max	Min	Typ	Max
A	0.240	0.270	0.300	0.0094	0.0106	0.0118
A1	-	0.095	-	-	0.0037	-
A2	-	0.175	-	-	0.0069	-
b <sup>(2)</sup> (3)	-	0.185	-	-	0.0073	-
D	-	0.725	0.745	-	0.0285	0.0293
E	-	0.819	0.839	-	0.0322	0.0330
e	-	0.400	-	-	0.0157	-
F	-	0.210	-	-	0.0083	-
G	-	0.163	-	-	0.0064	-
aaa	-	-	0.110	-	-	0.0043
bbb	-	-	0.110	-	-	0.0043
ccc	-	-	0.110	-	-	0.0043
ddd	-	-	0.060	-	-	0.0024
eee	-	-	0.060	-	-	0.0024

1. Values in inches are converted from mm and rounded to 4 decimal digits.
2. Primary datum Z and seating plane are defined by the spherical crowns of the bump.
3. Dimension is measured at the maximum bump diameter parallel to primary datum Z.

**Figure 13.** Ultra thin WLCSP- 4 bumps, 0.725 x 0.819 mm,, wafer level chip scale package recommended footprint



1. Dimensions are expressed in millimeters.

## 11 Ordering information

**Table 14. Ordering information scheme**

Example:	M24	C16 -D	F	CU	6	T	P	/K
<b>Device type</b>	M24 = I <sup>2</sup> C serial access EEPROM	C16-D = 16 Kbit (2048 x 8 bit) plus identification page	F = V <sub>CC</sub> = 1.6 V to 5.5 V	CU = ultra-thin 4-bump WLCSP <sup>(1)</sup>	6 = device tested with standard test flow over -40 to 85 °C	T = Tape and reel packing blank = tube packing	P or G = ECOPACK <sup>®</sup> 2	/K = Manufacturing technology code
<b>Device function</b>								

1. ECOPACK<sup>®</sup>2 (RoHS- compliant and free of brominated, chlorinated and antimony oxide flame retardants).

**Note:** Parts marked as “ES” or “E” are not yet qualified and therefore not approved for use in production. ST is not responsible for any consequences resulting from such use. In no event will ST be liable for the customer using any of these engineering samples in production. ST’s Quality department must be contacted prior to any decision to use these engineering samples to run a qualification activity.

## Revision history

**Table 15. Document revision history**

Date	Revision	Changes
20-Jun-2014	1	Initial release
04-Dec-2014	2	<p>Updated:</p> <ul style="list-style-type: none"> <li>Section Features on cover page.</li> <li>Section 1 Description.</li> <li>Figure 12. Ultra thin WLCSP- 4 bumps, 0.725 x 0.819 mm., wafer level chip scale package outline</li> <li>Table 5. Operating conditions, Table 13. Ultra thin WLCSP- 4 bumps, 0.725 x 0.819 mm., wafer level chip scale package mechanical data and Section 11 Ordering information.</li> </ul> <p>Added:</p> <ul style="list-style-type: none"> <li>note 1 on Section 11 Ordering information</li> <li>sentence about Engineering sample on Section 11 Ordering information.</li> <li>Figure 13. Ultra thin WLCSP- 4 bumps, 0.725 x 0.819 mm., wafer level chip scale package recommended footprint</li> </ul>
17-Sep-2019	3	<p>Updated:</p> <ul style="list-style-type: none"> <li>Section 1 Description, Section 7 Initial delivery state</li> <li>Figure 2. WLCSP connections (top view, marking side, with balls on the underside), Figure 3. Block diagram</li> <li>note 2 in Table 4. Absolute maximum ratings</li> <li>Table 6. AC measurement conditions, Table 7. Input parameters, Table 10. DC characteristics, Table 14. Ordering information scheme</li> </ul> <p>Added: note 2 in Table 2. Device select code and in Table 3. Significant address bits, notes 1 and 2 in Table 8. Cycling performance, note 1 in Table 9. Memory cell data retention</p> <p>Removed section 4.6 Identification page</p>

## Contents

<b>1</b>	<b>Description</b> .....	<b>2</b>
<b>2</b>	<b>Signal description</b> .....	<b>4</b>
2.1	Serial Clock (SCL) .....	4
2.2	Serial Data (SDA) .....	4
2.3	VSS (ground) .....	4
2.4	Supply voltage (VCC) .....	4
2.4.1	Operating supply voltage (VCC) .....	4
2.4.2	Power-up conditions .....	4
2.4.3	Device reset .....	4
2.4.4	Power-down conditions .....	4
<b>3</b>	<b>Memory organization</b> .....	<b>5</b>
<b>4</b>	<b>Device operation</b> .....	<b>6</b>
4.1	Start condition .....	7
4.2	Stop condition .....	7
4.3	Data input .....	7
4.4	Acknowledge bit (ACK) .....	7
4.5	Device addressing .....	8
<b>5</b>	<b>Instructions</b> .....	<b>9</b>
5.1	Write operations .....	9
5.1.1	Byte Write .....	9
5.1.2	Page Write .....	9
5.1.3	Write Identification Page .....	9
5.1.4	Lock Identification Page .....	10
5.1.5	Minimizing Write delays by polling on ACK .....	11
5.2	Read operations .....	11
5.2.1	Random Address Read .....	12
5.2.2	Current Address Read .....	12
5.2.3	Sequential Read .....	12
5.2.4	Read Identification Page .....	13
5.2.5	Read the lock status .....	13

---

5.2.6	Acknowledge in Read mode .....	13
<b>6</b>	<b>Application design recommendations .....</b>	<b>14</b>
6.1	Supply voltage .....	14
6.1.1	Operating supply voltage (VCC) .....	14
6.1.2	Power-up conditions .....	14
6.1.3	Power-down .....	14
6.2	Error correction code (ECC x 1) .....	14
<b>7</b>	<b>Initial delivery state .....</b>	<b>15</b>
<b>8</b>	<b>Maximum rating .....</b>	<b>16</b>
<b>9</b>	<b>DC and AC parameters .....</b>	<b>17</b>
<b>10</b>	<b>Package mechanical data .....</b>	<b>24</b>
10.1	WLCSP4 ultra thin package information .....	24
<b>11</b>	<b>Part numbering .....</b>	<b>26</b>
	<b>Revision history .....</b>	<b>27</b>

## List of tables

<b>Table 1.</b>	Signal names . . . . .	2
<b>Table 2.</b>	Device select code . . . . .	8
<b>Table 3.</b>	Significant address bits . . . . .	8
<b>Table 4.</b>	Absolute maximum ratings . . . . .	16
<b>Table 5.</b>	Operating conditions . . . . .	17
<b>Table 6.</b>	AC measurement conditions . . . . .	17
<b>Table 7.</b>	Input parameters . . . . .	17
<b>Table 8.</b>	Cycling performance . . . . .	18
<b>Table 9.</b>	Memory cell data retention . . . . .	18
<b>Table 10.</b>	DC characteristics . . . . .	19
<b>Table 11.</b>	400 kHz AC characteristics . . . . .	20
<b>Table 12.</b>	1 MHz AC characteristics . . . . .	21
<b>Table 13.</b>	Ultra thin WLCSP- 4 bumps, 0.725 x 0.819 mm., wafer level chip scale package mechanical data . . . . .	25
<b>Table 14.</b>	Ordering information scheme. . . . .	26
<b>Table 15.</b>	Document revision history . . . . .	27

## List of figures

<b>Figure 1.</b>	Logic diagram . . . . .	2
<b>Figure 2.</b>	WLCSP connections (top view, marking side, with balls on the underside) . . . . .	3
<b>Figure 3.</b>	Block diagram . . . . .	5
<b>Figure 4.</b>	I <sup>2</sup> C bus protocol . . . . .	6
<b>Figure 5.</b>	Write mode sequence (data write enabled) . . . . .	9
<b>Figure 6.</b>	Write cycle polling flowchart using ACK . . . . .	11
<b>Figure 7.</b>	Read mode sequences . . . . .	12
<b>Figure 8.</b>	AC measurement I/O waveform . . . . .	17
<b>Figure 9.</b>	Maximum $R_{bus}$ value versus bus parasitic capacitance ( $C_{bus}$ ) for an I <sup>2</sup> C bus at maximum frequency $f_C = 400$ kHz . . . . .	22
<b>Figure 10.</b>	Maximum $R_{bus}$ value versus bus parasitic capacitance ( $C_{bus}$ ) for an I <sup>2</sup> C bus at maximum frequency $f_C = 1$ MHz . . . . .	22
<b>Figure 11.</b>	AC waveforms . . . . .	23
<b>Figure 12.</b>	Ultra thin WLCSP- 4 bumps, 0.725 x 0.819 mm,, wafer level chip scale package outline . . . . .	24
<b>Figure 13.</b>	Ultra thin WLCSP- 4 bumps, 0.725 x 0.819 mm,, wafer level chip scale package recommended footprint . . . . .	25

**IMPORTANT NOTICE – PLEASE READ CAREFULLY**

STMicroelectronics NV and its subsidiaries (“ST”) reserve the right to make changes, corrections, enhancements, modifications, and improvements to ST products and/or to this document at any time without notice. Purchasers should obtain the latest relevant information on ST products before placing orders. ST products are sold pursuant to ST’s terms and conditions of sale in place at the time of order acknowledgement.

Purchasers are solely responsible for the choice, selection, and use of ST products and ST assumes no liability for application assistance or the design of Purchasers’ products.

No license, express or implied, to any intellectual property right is granted by ST herein.

Resale of ST products with provisions different from the information set forth herein shall void any warranty granted by ST for such product.

ST and the ST logo are trademarks of ST. For additional information about ST trademarks, please refer to [www.st.com/trademarks](http://www.st.com/trademarks). All other product or service names are the property of their respective owners.

Information in this document supersedes and replaces information previously supplied in any prior versions of this document.

© 2019 STMicroelectronics – All rights reserved