

(2.00 mm) .0787"

T2M SERIES

HIGH-RELIABILITY CABLE HEADER

SPECIFICATIONS

For complete specifications and recommended PCB layouts see www.samtec.com?T2M

Insulator Material: Black Liquid Crystal Polymer
Terminal Material: Phosphor Bronze
Plating: Sn or Au over 50 μm (1.27 μm) Ni
Current Rating (T2M/S2SD): 3.8 A per pin (2 pins powered)
Voltage Rating: 250 VAC/350 VDC mated with S2SD
Operating Temp Range: -55 °C to +105 °C with Tin; -55 °C to +125 °C with Gold
RoHS Compliant: Yes

PROCESSING

Lead-Free Solderable: Yes
SMT Lead Coplanarity: (0.10 mm) .004" max

RECOGNITIONS

For complete scope of recognitions see www.samtec.com/quality



OTHER SOLUTIONS



See S2SD in the discrete wire section

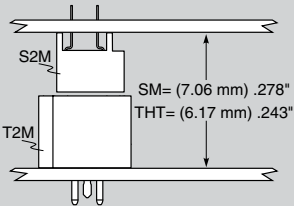
ALSO AVAILABLE (MOQ Required)

- Other platings

Note: Some lengths, styles and options are non-standard, non-returnable.

Board Mates: S2M
Cable Mates: S2SD, S2SDT

MATED HEIGHT



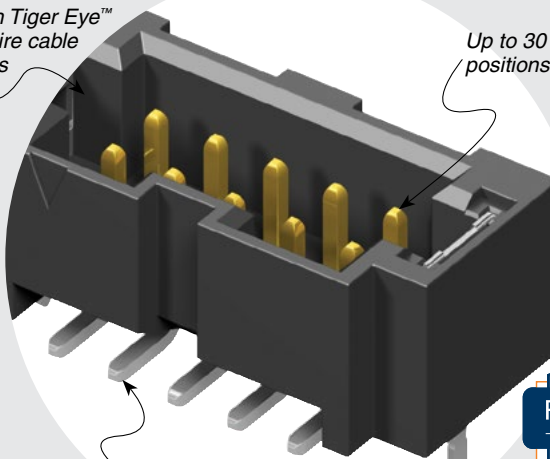
HIGH-SPEED CHANNEL PERFORMANCE

Rating based on Samtec reference channel. For full SI performance data visit Samtec.com or contact SIG@samtec.com



Mates with Tiger Eye™ discrete wire cable assemblies

Up to 30 positions per row



Choice of surface mount, through-hole or right-angle

Optional weld tab

RUGGEDIZED BY SAMTEC

- Weld tabs

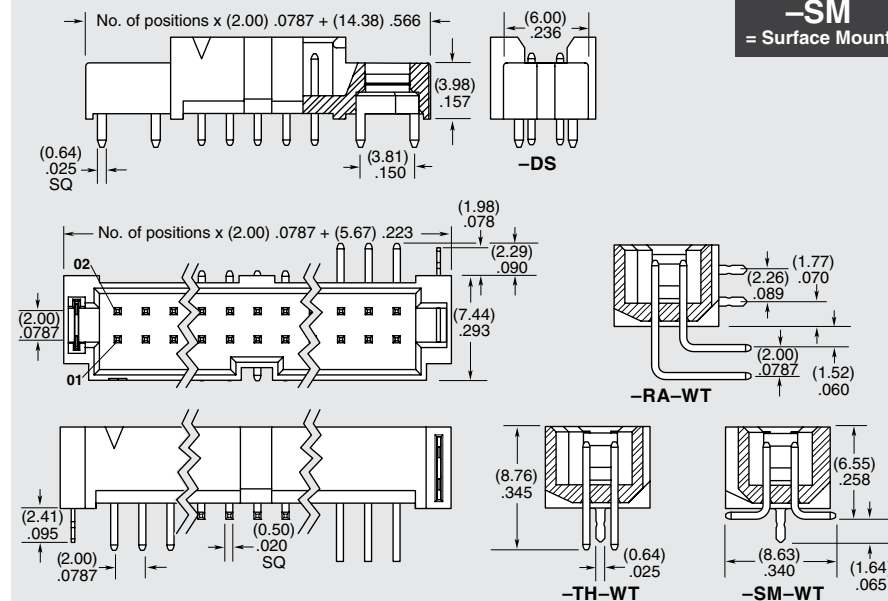


05, 07, 10, 15, 20, 25, 30 (Per Row)

-L = 10 μm (0.25 μm) Gold on contact, Matte Tin on tail

-TH = Through-hole
 -RA = Right-angle
 -SM = Surface Mount

-WT = Weld Tab (S2SD & S2SDT, -SR/-DR required mate)
 -DS = Screw Down (N/A with -RA) (mates with -S2M-DS, S2SD/S2SDT -SS/-DS option)
 -K = (7.50 mm) .295" DIA Polyimide film Pick & Place Pad (-SM only)
 -TR = Tape & Reel (-SM only)



Due to technical progress, all designs, specifications and components are subject to change without notice.

WWW.SAMTEC.COM

All parts within this catalog are built to Samtec's specifications. Customer specific requirements must be approved by Samtec and identified in a Samtec customer-specific drawing to apply.