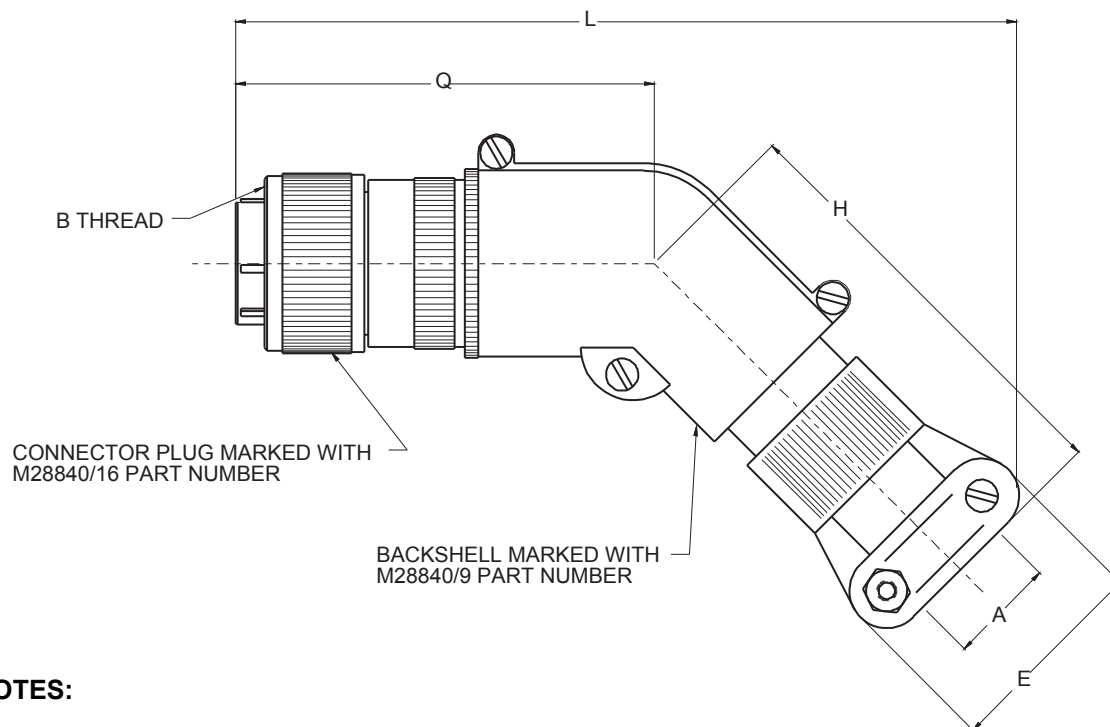


HOW TO ORDER:

GLENAIR:	901-029	NF	25	1	B	-	A	P	1
MILITARY P/N:	M28840/29	C	G	1	B	-	A	P	1
△ 3 CLASS CODE (SEE MIL-C-28840)									
BASIC PART NUMBER									
SHELL SIZE (TABLE I)									
INSERT ARRANGEMENT (SEE MIL-C-28840)									
									KEY POSITION (SEE MIL-C-28840)
									CONTACT STYLE (SEE MIL-C-28840)
									BACKSHELL STYLE (SEE MIL-C-28840)
									BACKSHELL SIZE DESIGNATOR (SEE ABOVE)

(STYLE A)


NOTES:

1. INTERPRET PER MIL-STD-100.
2. SEE MIL-C-28840 FOR ADDITIONAL DESIGN DETAILS.
- △ 3 GLENAIR NF = CLASS C
GLENAIR ZU = CLASS E
4. BAG AND TAG WITH M28840/29 PART NUMBER

901-029
 Plug, 45°, Adapter Assembly
 MIL-C-28840/29



MIL-C-28840

TABLE I: CONNECTOR DIMENSIONS

MILITARY SHELL SIZE	SHELL SIZE	BACKSHELL SIZE DESIG.	A CABLE ENTRY		B THREAD CLASS 2B	E MAX.	H MAX.	L MAX.	Q MAX.
			OPEN	CLOSED					
A	11	A	.312 (7.9)	.188 (4.8)	.750-.1P-.2L-D.S.	.938 (23.8)	5.432 (138.0)	7.404 (188.1)	3.250 (82.6)
A	11	B	.438 (11.1)	.281 (7.1)	.750-.1P-.2L-D.S.	1.125 (28.6)	5.432 (138.0)	7.457 (189.4)	3.250 (82.6)
A	11	C	.562 (14.3)	.344 (8.7)	.750-.1P-.2L-D.S.	1.312 (33.3)	5.557 (141.1)	7.727 (196.3)	3.375 (85.7)
B	13	B	.438 (11.1)	.281 (7.1)	.875-.1P-.2L-D.S.	1.125 (28.6)	5.432 (138.0)	7.457 (189.4)	3.250 (82.6)
B	13	C	.562 (14.3)	.344 (8.7)	.875-.1P-.2L-D.S.	1.312 (33.3)	5.557 (141.1)	7.727 (196.3)	3.375 (85.7)
B	13	D	.625 (15.9)	.375 (9.5)	.875-.1P-.2L-D.S.	1.312 (33.3)	5.682 (144.3)	7.938 (201.6)	3.500 (88.9)
C	15	A	.438 (11.1)	.281 (7.1)	1.062-.1P-.2L-D.S.	1.125 (23.8)	5.557 (141.1)	7.671 (194.8)	3.375 (85.7)
C	15	B	.562 (14.3)	.344 (8.7)	1.062-.1P-.2L-D.S.	1.312 (33.3)	5.557 (141.1)	7.727 (196.3)	3.375 (85.7)
C	15	C	.625 (15.9)	.375 (9.5)	1.062-.1P-.2L-D.S.	1.312 (33.3)	5.682 (144.3)	7.938 (201.6)	3.500 (88.9)
C	15	D	.750 (19.1)	.438 (11.1)	1.062-.1P-.2L-D.S.	1.593 (40.5)	5.713 (145.1)	8.058 (204.7)	3.500 (88.9)
D	17	A	.625 (15.9)	.375 (9.5)	1.125-.1P-.2L-D.S.	1.312 (33.3)	5.682 (144.3)	7.938 (201.6)	3.500 (88.9)
D	17	B	.750 (19.1)	.438 (11.1)	1.125-.1P-.2L-D.S.	1.593 (40.5)	5.713 (145.1)	8.058 (204.7)	3.500 (88.9)
E	19	A	.625 (15.9)	.375 (9.5)	1.312-.1P-.2L-D.S.	1.312 (33.3)	5.682 (144.3)	7.938 (201.6)	3.500 (88.9)
E	19	B	.938 (23.8)	.625 (15.9)	1.312-.1P-.2L-D.S.	1.750 (44.5)	5.932 (150.7)	8.371 (212.6)	3.625 (92.1)
F	23	A	.750 (19.1)	.438 (11.1)	1.500-.1P-.2L-D.S.	1.593 (40.5)	5.838 (148.3)	8.272 (210.1)	3.625 (92.1)
F	23	B	.938 (19.1)	.625 (15.9)	1.500-.1P-.2L-D.S.	1.750 (44.5)	5.932 (150.7)	8.371 (212.6)	3.625 (92.1)
F	23	C	1.188 (30.2)	.812 (20.6)	1.500-.1P-.2L-D.S.	2.093 (53.2)	6.119 (155.4)	8.628 (219.2)	3.625 (92.1)
G	25	A	.938 (19.1)	.625 (15.9)	1.625-.1P-.2L-D.S.	1.750 (44.5)	5.932 (150.7)	8.371 (212.6)	3.625 (92.1)
G	25	B	1.188 (30.2)	.812 (20.6)	1.625-.1P-.2L-D.S.	2.093 (53.2)	6.119 (155.4)	8.628 (219.2)	3.625 (92.1)
G	25	C	1.250 (31.8)	.875 (22.2)	1.625-.1P-.2L-D.S.	2.093 (53.2)	6.244 (158.6)	8.841 (224.6)	3.750 (95.3)
G	25	D	1.380 (35.1)	1.000 (25.4)	1.625-.1P-.2L-D.S.	2.343 (59.5)	6.276 (159.4)	8.950 (227.3)	3.750 (95.3)
H	29	A	1.188 (30.2)	.812 (20.6)	1.812-.1P-.2L-D.S.	2.093 (53.2)	6.244 (158.6)	8.841 (224.6)	3.750 (95.3)
H	29	B	1.380 (35.1)	1.000 (25.4)	1.812-.1P-.2L-D.S.	2.343 (59.5)	6.276 (159.4)	8.950 (227.3)	3.750 (95.3)
J	33	A	1.380 (35.1)	1.000 (25.4)	2.000-.1P-.2L-D.S.	2.343 (59.5)	6.526 (165.8)	9.377 (238.2)	4.000 (101.6)
J	33	B	1.625 (41.3)	1.250 (31.8)	2.000-.1P-.2L-D.S.	2.750 (69.9)	6.801 (172.7)	9.659 (245.3)	4.000 (101.6)