

SO SERIES

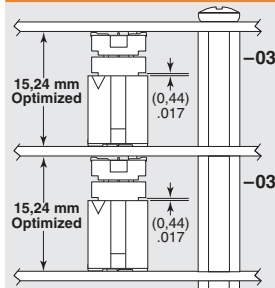
PRECISION BOARD STACKING STANDOFF

SPECIFICATIONS

For complete specifications and recommended PCB layouts see www.samtec.com?SO

Material: Aluminum
Locking Compound: Nylon

APPLICATIONS



See QMS/QFS Series SUMIT™ & PCI/104-Express™ connectors

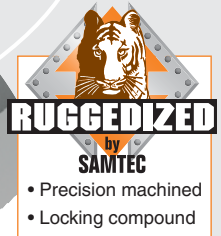
Requires Standoff SO-1524-03-01-02-L 15.24mm board spacing. Connectors designed to not fully seat when mated.

APPLICATIONS



Ideal for use with all Samtec SI connectors

Precision machined tolerances ($\pm .002"$ (0,05 mm))



- Precision machined
- Locking compound

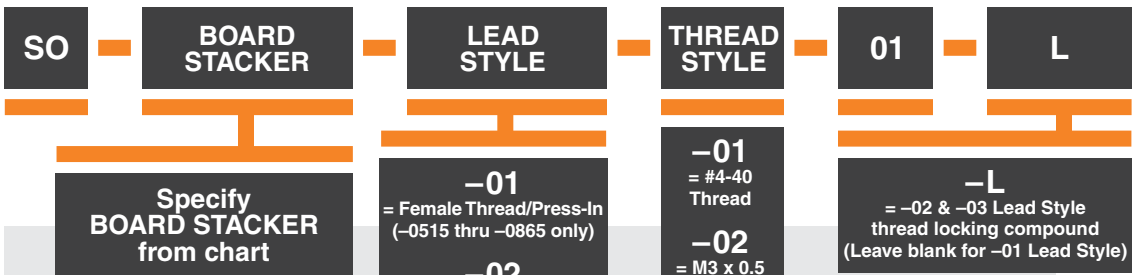
Stack heights from 5 mm to 25 mm

#4-40 Thread

Standard Nylon thread locking compound

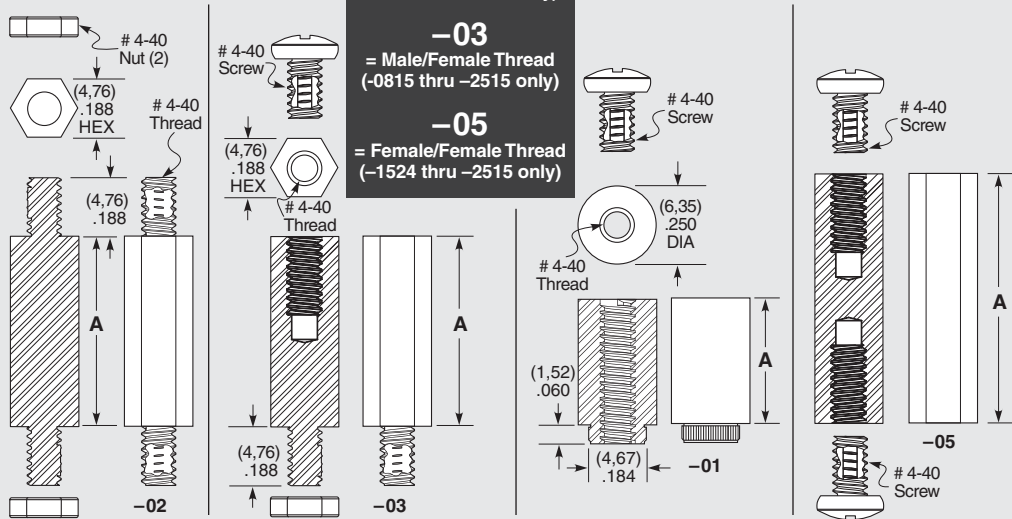
ALSO AVAILABLE (MOQ Required)

- Other heights
 - Stainless Steel
 - Locking compound removed
 - Other materials and threading
 - No Hardware
- Contact Samtec.



Specify BOARD STACKER from chart

BOARD STACKER	A	BOARD STACK HEIGHT
-0515	(5,15) .203	5 mm
-0715	(7,15) .282	7 mm
-0815	(8,15) .321	8 mm
-0865	(8,65) .341	8,5 mm
-1115	(11,15) .439	11 mm
-1215	(12,15) .478	12 mm
-1524	(15,24) .600	15,24 mm
-1615	(16,15) .636	16 mm
-1890	(18,90) .744	18,75 mm
-1915	(19,15) .754	19 mm
-2515	(25,15) .990	25 mm



Components are to be packaged in separate bags unassembled.

Notes: Standoffs are designed, 0,15 mm longer than connector stack heights to allow for processing variables.

Some sizes, styles and options are non-standard, non-returnable.