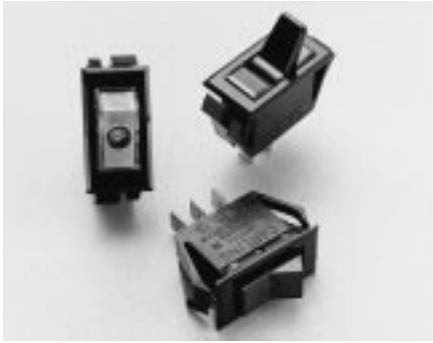


LTA-Series



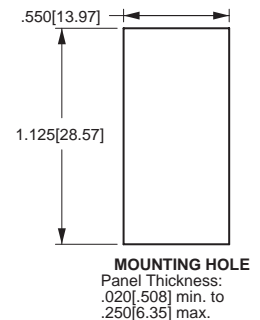
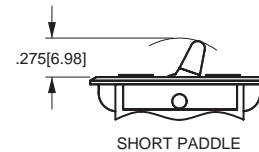
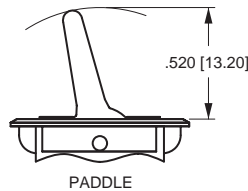
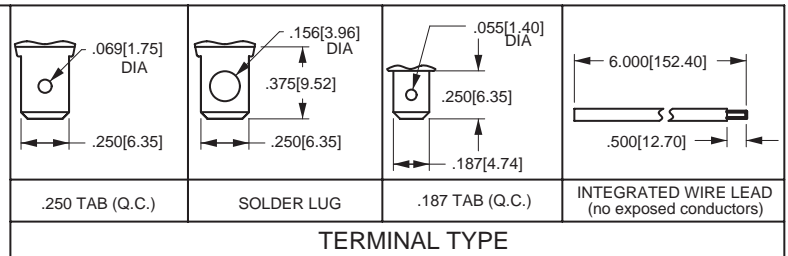
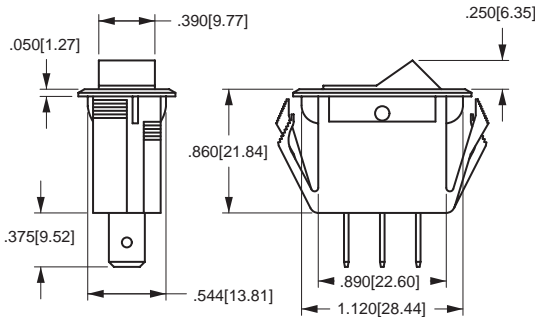
The LTA-Series Mini Tippette Snap-in rocker switches are illuminated, single pole and double-insulated. These AC rated switches are also suitable for low voltage DC applications. A variety of actuators, colors and terminations can be specified with ratings up to 20 amps.

Specifications

- Certifications*: UL, CSA
- Dielectric Strength: 1,000V (minimum)
- Insulation Resistance: 100 Megohms (minimum)
- Base Material: Nylon
- Actuator Material: Nylon or Polycarbonate
- Bezel Material: Nylon

* Due to ongoing technological advances, consult factory for certification specifics.

Dimensional Specifications: in. [mm]



LTA	20	1	-	T	R	-	B	-	/	125N
SERIES	RATING	TERMINATION		ACTUATOR STYLE			ACTUATOR COLOR	LENS COLOR^{2,3}		
LTA OFF-NONE-ON SINGLE POLE	10 5A 250VAC 10A 125VAC 1/2HP 125-250VAC 11 5A 250VAC 10A 125VAC 5A (TUNGSTEN) 125VAC L 20 10A 250VAC 15A 125VAC 3/4HP 125-250VAC 21 10A 250VAC 15A 125VAC 22 10A 250VAC 15A 125VAC 20A 125-250VAC H 3/4HP 125-250VAC	0 SOLDER LUG 1 .250 TAB (QC) 3 .187 TAB (QC) 5 WIRE LEAD	P PADDLE PS PADDLE - SHORT T LIGHTED ROCKER	ROCKER A AMBER C CLEAR G GREEN ³ R RED PADDLE ¹ B BLACK W WHITE	A AMBER C CLEAR G GREEN LU BLUE R RED	BASE COLOR¹ B BLACK W WHITE	LAMP VOLTAGE 6V 6 VOLT/ INCANDESCENT 12V 12 VOLT/ INCANDESCENT 18V 18 VOLT/ INCANDESCENT 24V 24 VOLT/ INCANDESCENT 28V 28 VOLT/ INCANDESCENT 125N 125 VOLT/ NEON 250N 250 VOLT/ NEON			

NOTES:

Shading indicates standard configurations. Stainless steel bezels are available. Add suffix "BEZEL" to the end of the catalog number. (ex.) LTA201-TR-B/12V/BEZEL
 Imprinting is available. Please specify when ordering.

Panel Cut-Out Recommendations: For sheet metal panels, switch must enter panel in same direction as the punch. (Burr on bottom.) Test cut hole in actual material.

1 Custom colors are available. Consult factory.

2 Neon lamps (125 volt or 250 volt) not recommended with green or blue colored indicators.

3 Specify lens color only if actuator style is P or PS.