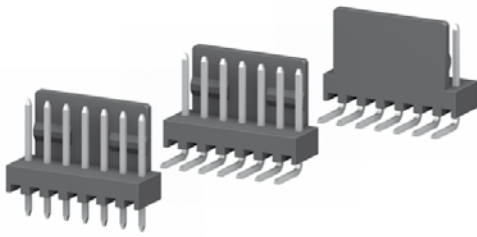


# Pin Header with Polarizing Feature and Friction Lock 2,54 mm

Series

**428**



Rated current	3,0 A
Rated voltage	250 VRMS / VDC
Please consider air- and creepage distances	
Withstand voltage	500 VRMS for one minute
Material contact	Copper alloy
Material insulator	High temp. thermoplast UL94V-0
Operating temperature	-25°C to +105°C
Max. processing temper.	240°C for 5 seconds

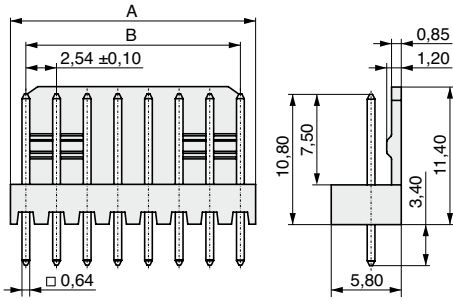
pitch	<b>2,54</b>
termination	
contact size	<b>0,64</b>
max. pincount	<b>020</b>

All dimensions in mm.

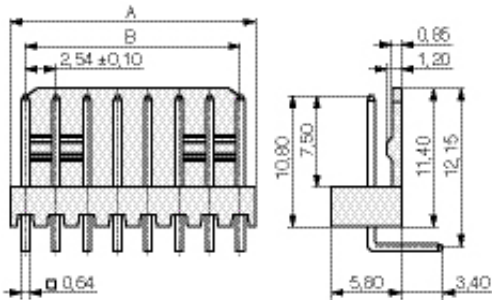
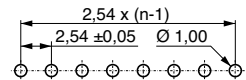
Product group **3**

## Variation

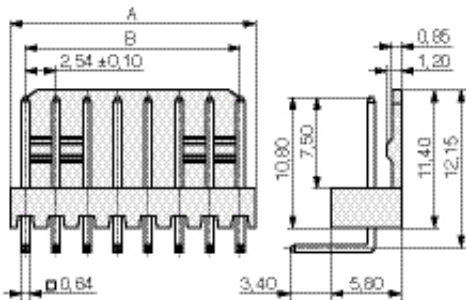
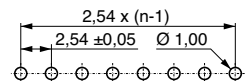
## PCB Layout



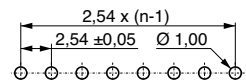
**1**



**2**

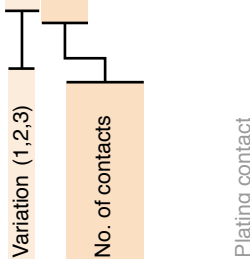


**3**



no. of contacts	see figure left	see figure left	available in variation		
			n	A	B
002	5,08	2,54	1	2	3
003	7,62	5,08	1	2	3
004	10,16	7,62	1	2	3
005	12,70	10,16	1	2	3
006	15,24	12,70	1	2	3
007	17,78	15,24	1	2	3
008	20,32	17,78	1	2	3
009	22,86	20,32	1	2	3
010	25,40	22,86	1	2	3
011	27,94	25,40	1	2	3
012	30,48	27,94	1	2	3
013	33,02	30,48	1	2	3
014	35,56	33,02	1	2	3
015	38,10	35,56	1	2	3
016	40,64	38,10	1	2	3
017	43,18	40,64	1	2	3
018	45,72	43,18	1	2	3
019	48,26	45,72	1	2	3
020	50,80	48,26	1	2	3

Plating:  
T = Sn



Order code:

**428-2-222-0-T-KS0**

Mating series **431**  
see page **6-11**