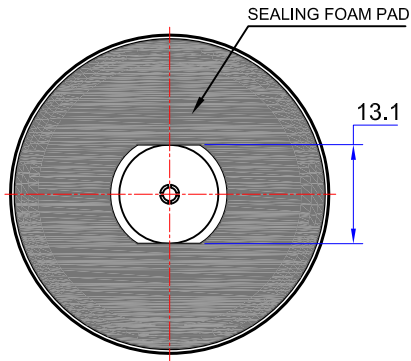


REVISIONS		
REV	ECN	DATE
--	--	---

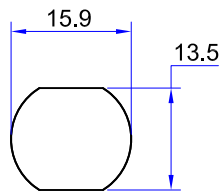
NOTES

1. RADOME MATERIAL: XENYOY™ 1731
2. COLOR: BLACK.
3. FREQUENCY: 698-960/1710-2700 MHz
4. IMPEDANCE: 50Ω
5. VSWR: ≤2.0*
6. RADIATION: OMNI
7. GAIN: 2dBi @698-960/1710-2170; 3dBi @2300-2700 MHz
8. POLARIZATION: VERTICAL
9. WEIGHT: 164g
10. OPERATING TEMPERATURE: -40°C~ + 85°C
11. THIS IS A RoHS COMPLIANT PRODUCT

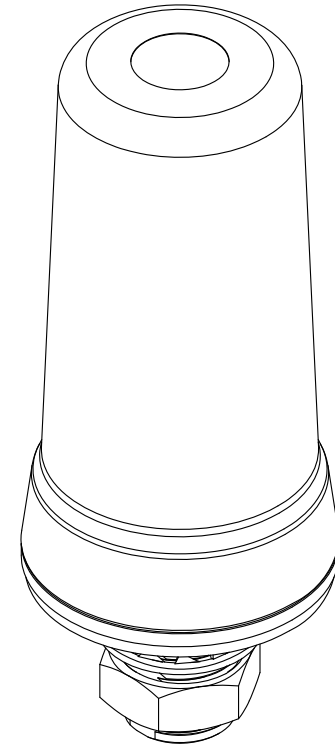
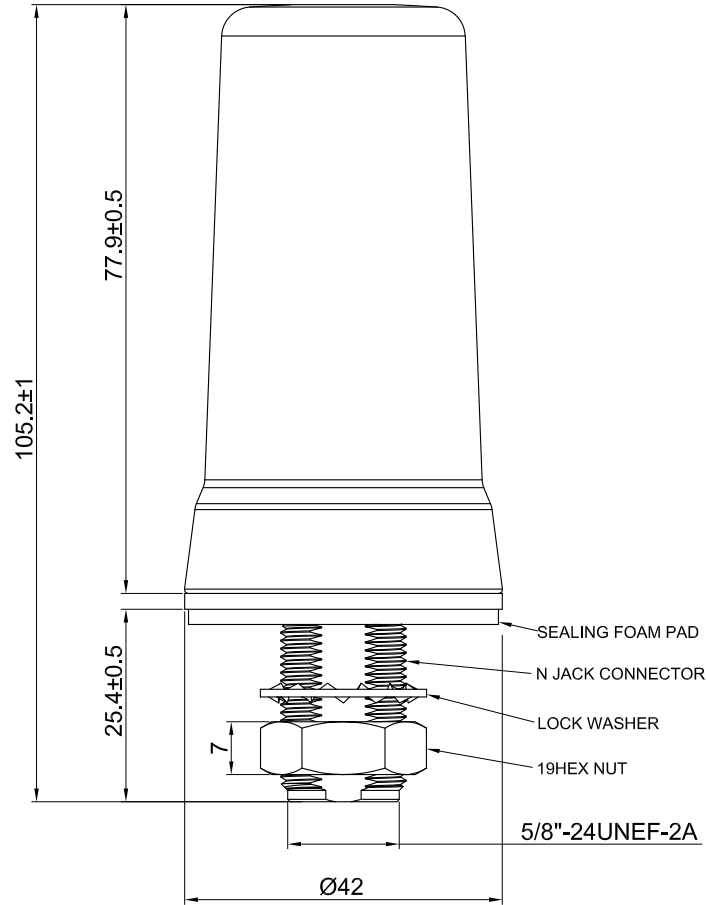
* VSWR: ≤2.2 @698-746 MHz



BOTTOM VIEW



MOUNTING HOLE



TITLE	Multi-Band Low Profile Antenna 698-960/1710-2700MHz	Rev. Date	05/29/13	SHEET	1 OF 1
UNIT	DWG. NO.	W771N-AGDPU			
mm					
SCALE	NEARSON				
none					