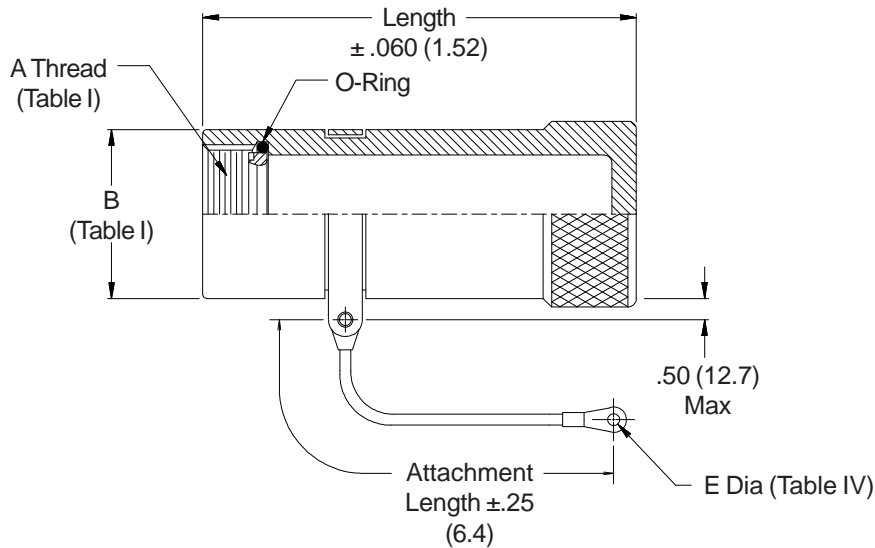
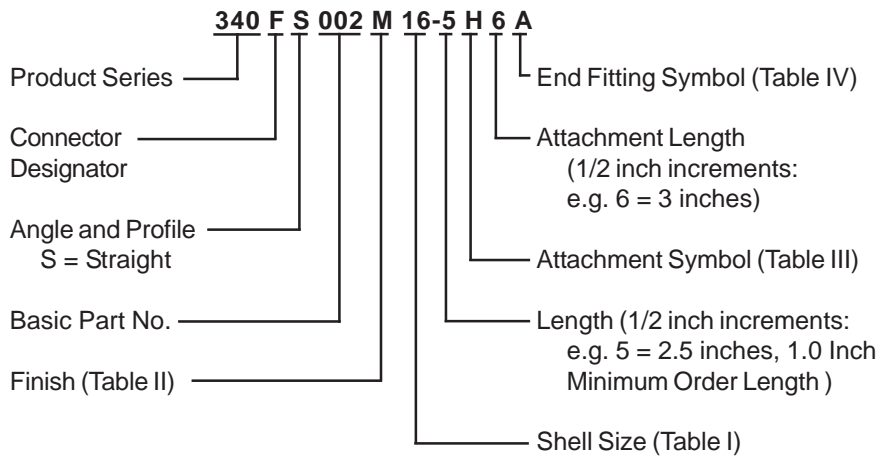


# 340-002 O-Ring Sealed Shorting Cap Backshell Direct Coupling



## CONNECTOR DESIGNATORS **A-B\*-C-D-E-F** **G-H-J-K-L-S** \* Conn. Desig. B See Note 3 **DIRECT COUPLING**



**See inside back cover  
fold-out or pages 13 and  
14 for unabridged  
Tables I and II.**

Symbol	E Dia.
A	.140 (3.6)
B	.167 (4.2)
C	.182 (4.6)
D	.191 (4.9)
E	.125 (3.2)
F	.218 (5.5)

Symbol	Attachment
C	No attachment, body strap only
D	Bead chain, cres, passivate, with terminal
E	Link chain, cres, passivate, with reverse link
F	Wire rope, nylon jacket, with terminal
G	Nylon rope, with terminal
H	Wire rope, teflon jacket, with terminal
N	Attachment omitted
R	Wire rope, PVC jacket, with terminal
S	#8 Sash chain, cres, passivate
U	Wire rope, polyurethane jacket, with terminal

GLENAIR SYMBOL	FINISH
B	Cadmium Plate, Olive Drab
C	Anodize, Black
G	Hard Coat, Anodic
M	Electroless Nickel
NF	Cadmium Plate, Olive Drab Over Electroless Nickel

**See Back Cover for Complete Finish Information and Additional Finish Options**

1. Metric dimensions (mm) are indicated in parentheses.
2. Custom engraving available, consult factory.
3. When using Connector Designator B refer to pages 18 and 19 for part number development.