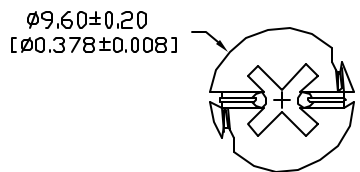
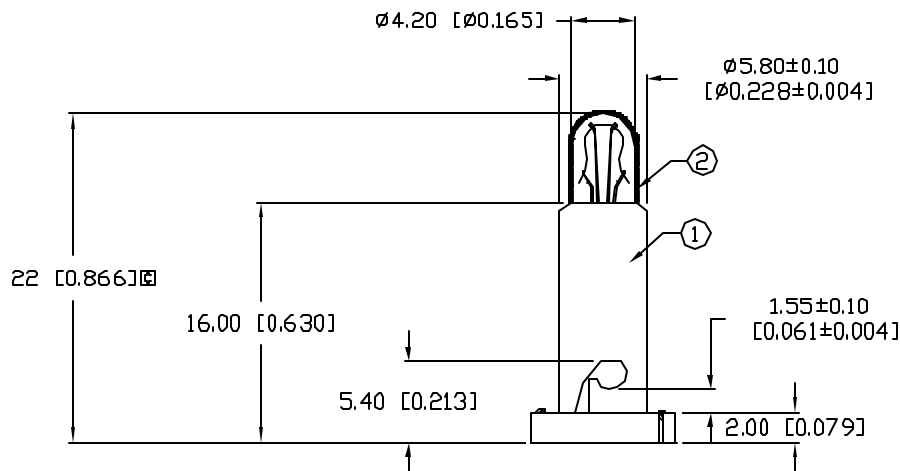


UNCONTROLLED DOCUMENT

PART NUMBER  
IFL-EB414100-G265

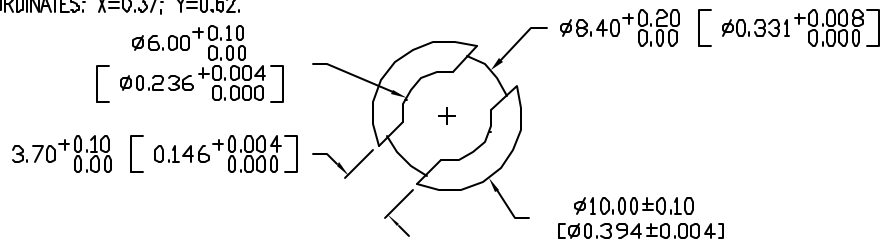
REV.  
D



NOTES:

- 1. IFL-EB414100 LAMP.
- 2. IFL-LX39-4-G265.  
FILTER COLOR/GREEN COMPOUNDED TO  
MATCH COORDINATES: X=0.37; Y=0.62.

RECOMMENDED PANEL CUT-OUT



REV.	E.C.N. NUMBER AND REVISION COMMENTS	DATE
A	E.C.N. #11005.	6.19.03
B	E.C.N. #11282.	11.14.05
C	E.C.N. #11296.	1.3.09
D	E.C.N. #11148.	12.20.06

ELECTRICAL SPECIFICATIONS

OPERATING VOLTAGE VAC. OR VDC.	14V
DESIGN VOLTAGE VAC. OR VDC.	14.0V
OPERATING CURRENT	100mA
ⓧ RATED INTENSITY	0.48 M.S.C.P.
ⓧ AVERAGE LIFE ⓧ DESIGN VOLTS (AC)	10,000 HOURS

MECHANICAL SPECIFICATIONS

BULB SIZE & SHAPE	T5mm TUBULAR
BULB GLASS TYPE	K 12 SOFT GLASS
BASE OR LEAD FINISH	BLUE NYLON 66, 15% GLASS
FILAMENT SHAPE	C-2F
MANUFACTURING P55	T3nW 3044

ENVIRONMENTAL SPECIFICATIONS

VIBRATION TESTING	MIL-E-5400N, GRAPH IV
SHOCK TEST	MIL-STD-883 METHOD 2002
	TEST CONDITION A
OPERATION TEMP.	-50 TO +100°C
STORAGE TEMP.	-50 TO +125°C
SOLDERABILITY OF LEADS	MIL-STD 202F, METHOD 208D



UNCONTROLLED DOCUMENT

\*UNLESS OTHERWISE SPECIFIED TOLERANCES PER DECIMAL PRECISION ARE: X=±1 (±0.039), X.X=±0.5 (±0.020), X.XX=±0.25 (±0.010), X.XXX=±0.127 (±0.005). LEAD SIZE=±0.05 (±0.002), LEAD LENGTH=±0.75 (±0.030), MIN.=<sup>+DECIMAL PRECISION</sup><sub>-0.00</sub> MAX.=<sup>+0.00</sup><sub>-DECIMAL PRECISION</sub>

REV.	PART NUMBER
D	IFL-EB414100-G265

T-4.2mm (T-1 1/4) EXTENDED BASE, NEO-WEDGE LAMP,  
14V, 100mA, WITH GREEN SILICON BOOT.

**CONFIDENTIAL INFORMATION**  
THE INFORMATION CONTAINED IN THIS DOCUMENT IS THE PROPERTY OF LUMEX INC. EXCEPT AS SPECIFICALLY AUTHORIZED IN WRITING BY LUMEX INC, THE HOLDER OF THIS DOCUMENT SHALL KEEP ALL INFORMATION CONTAINED HEREIN CONFIDENTIAL AND SHALL PROTECT SAME IN WHOLE OR IN PART FROM DISCLOSURE AND DISSEMINATION TO ALL THIRD PARTIES.

**RELIABILITY NOTE**  
OUR MANY YEARS OF EXPERIENCE DATA ACCUMULATION INDICATE THAT SOLDER HEAT IS A MAJOR CAUSE OF EARLY AND FUTURE FAILURE. PLEASE PAY ATTENTION TO YOUR SOLDERING PROCESS.



290 E. HELEN ROAD  
PALATINE, IL 60067-6976  
PHONE: +1.847.359.2790  
US WEB: www.lumex.com  
TW WEB: www.lumex.com.tw

DRAWN BY: JC	CHECKED BY:	APPROVED BY:	DATE: 12.20.06
			PAGE: 1 OF 1
			SCALE: N/A

# Mouser Electronics

Authorized Distributor

Click to View Pricing, Inventory, Delivery & Lifecycle Information:

[Lumex:](#)

[IFL-EB414100-G265](#)