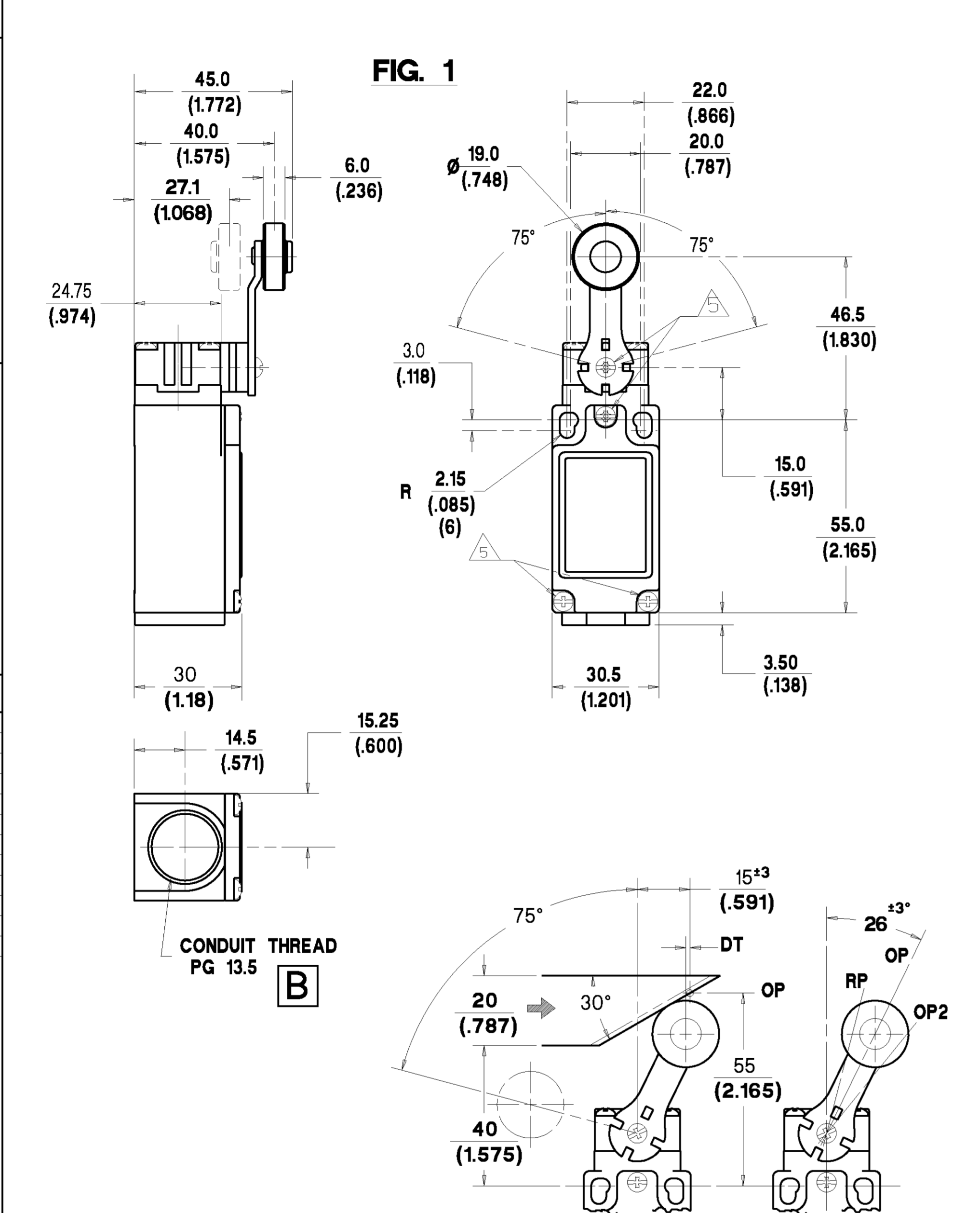


MTG-GL-172
 REPLACES AO1B-3B
 DRAWING NUMBER
 ISSUE 11
 REVISIONS
 6/7/96 AO1B-262
 7/12/96 AO1B-293
 8/7/97 CO-000083
 9/8/97 CO-000105
 10/CO/395 I WEIR 6/98
 11/PM 03/05 0011918
 DRAWN M. LOCH
 CHECK I. WEIR
 DESIGN J. BOYD
 AUTHORIN P. TRICKETT

Honeywell **LIMIT SWITCH** **GLS**
 CHART NO. **MTG-GL-172**



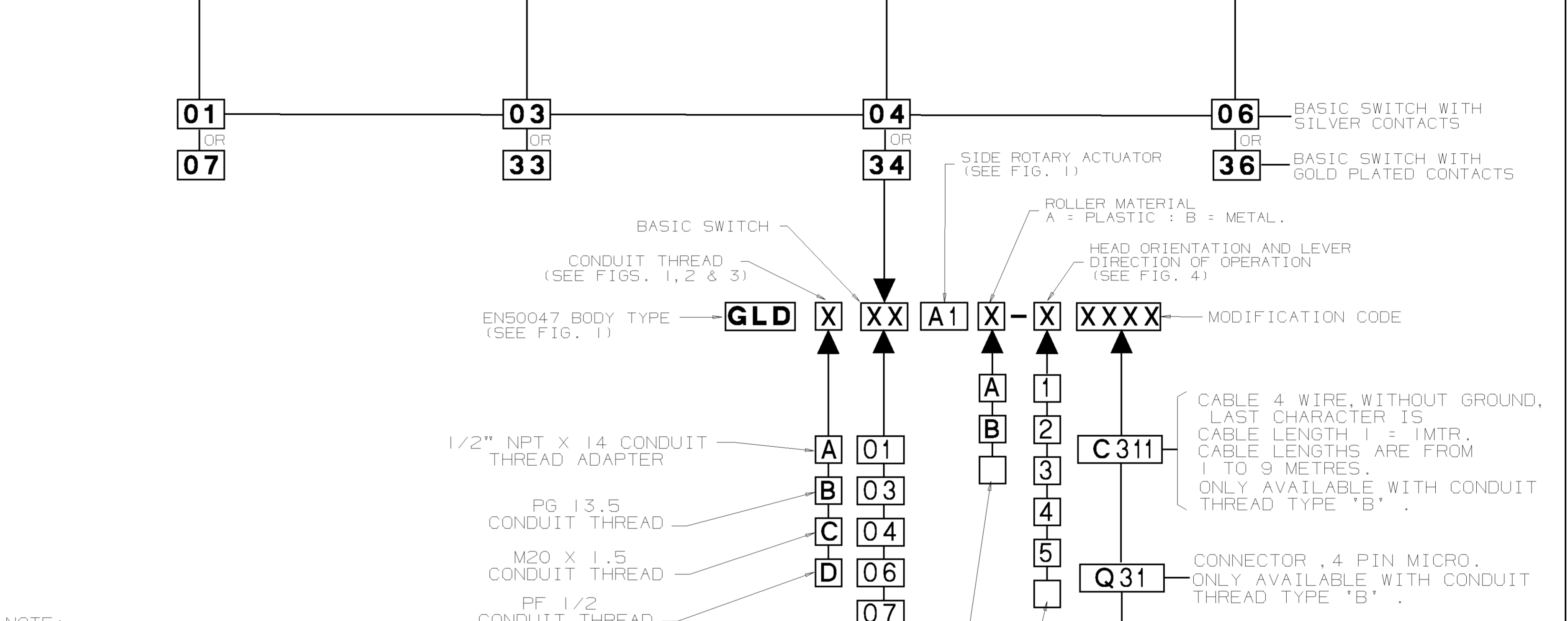
NOTES:-

- MICRO SWITCH BLUE GLASS FILLED POLYESTER HOUSING & COVER. BLACK GLASS FILLED POLYAMIDE HEAD.
- ENCLOSURE DOUBLE INSULATED TO IEC 539 CLASS II.
- MINIMUM OPERATING VELOCITY (V_{min}) = 2.0 MM/S (THESE LIMITS APPLY TO CAM OPERATION AS SHOWN IN THE ABOVE DIAGRAMS ONLY)
 MAXIMUM OPERATING VELOCITY (V_{max}) = 200 MM/S
 MAXIMUM OPERATING FREQUENCY (F_{max}) = 250 OPS/MIN
- FREE POSITION (FP), OPERATING POINT (OP), OVERTRAVEL (OT) AND PRETRAVEL (PT) ALL TO EN50047.

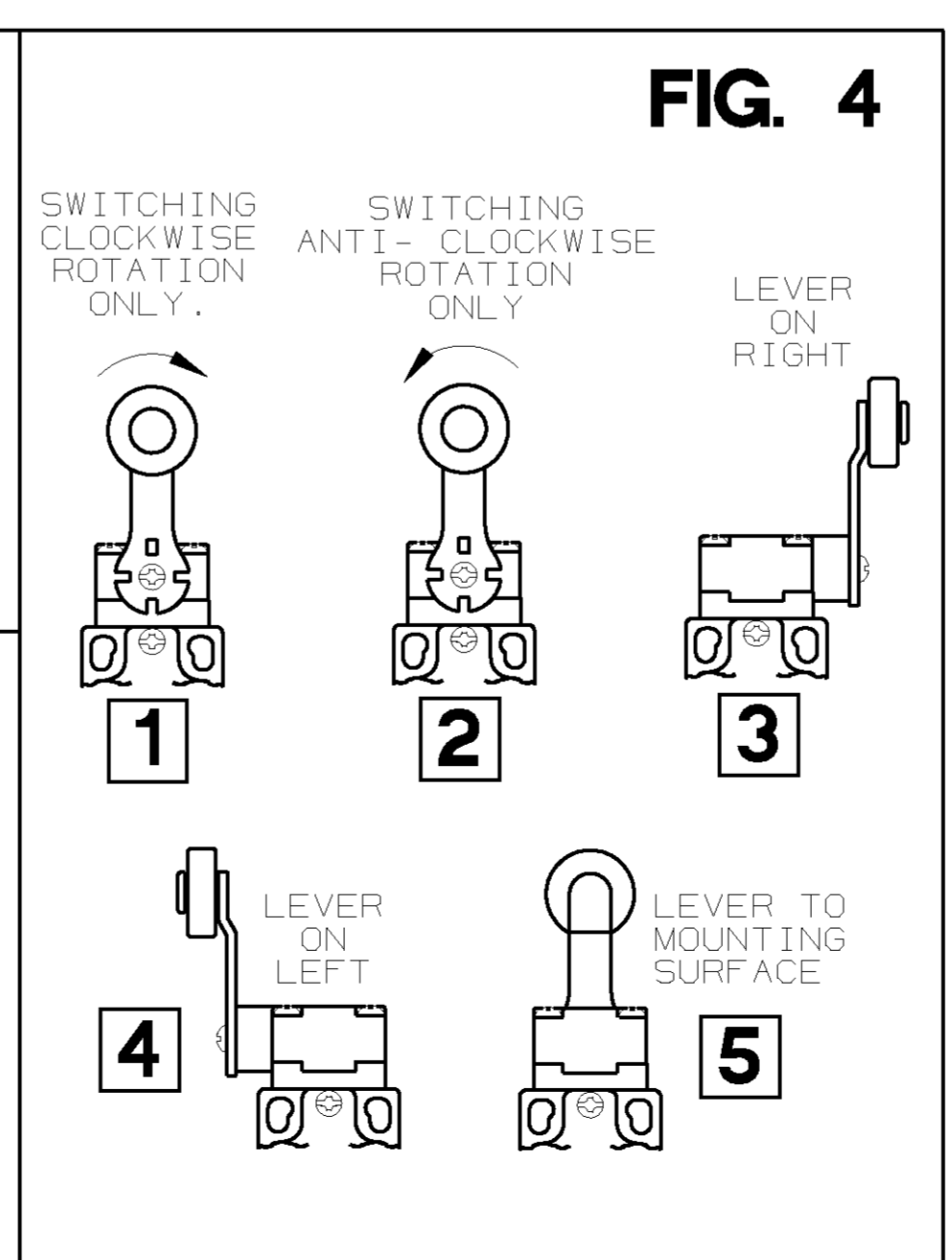
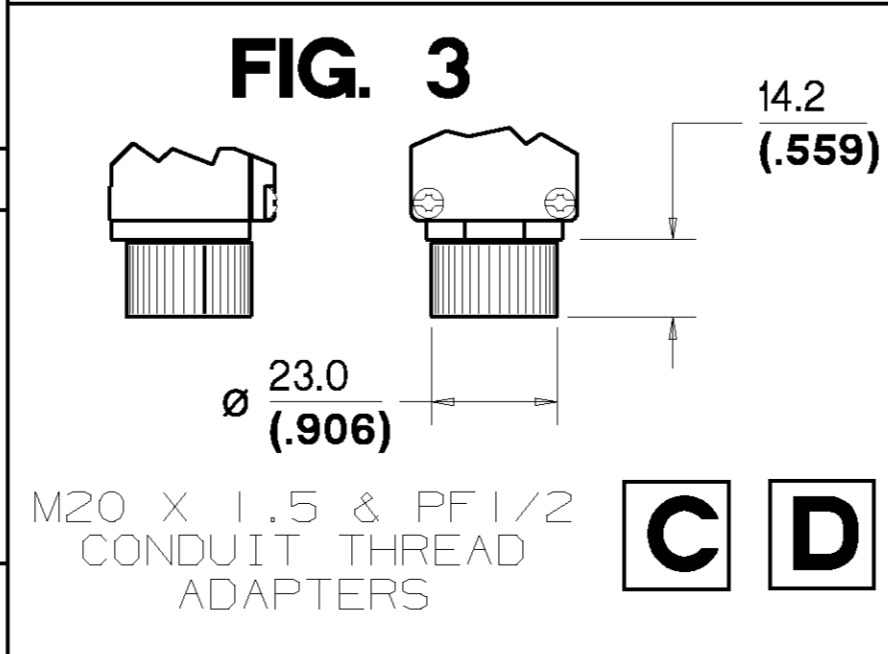
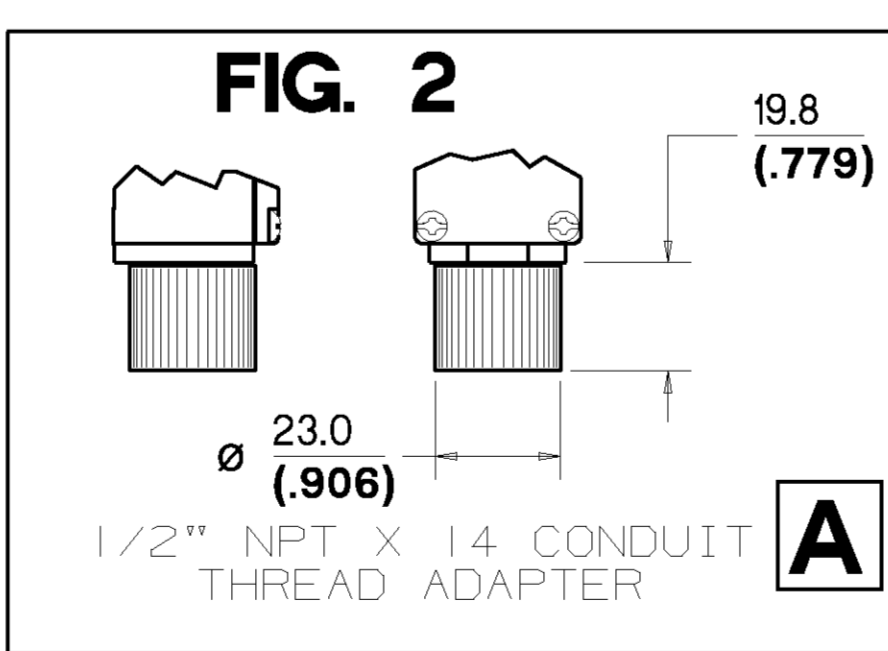
△ MAXIMUM TIGHTENING TORQUE FOR FIXING SCREW = 0.5Nm (4.4in.LB)

NO CHANGES CAN BE MADE TO THIS DRAWING WITHOUT JOINT NEWHOUSE/FREEMPORT APPROVAL

CONTACT BLOCK DIAGRAM	NOMINAL TRAVELS AND RELATED TERMINALS	NORMAL OPERATING TORQUE MAX	MAXIMUM DISCONNECT TORQUE
SNAP-ACTION CONTACTS 		120 (1.1)	140 (1.3)
SLOW-ACTION CONTACTS (BREAK BEFORE MAKE) 		110 (1.0)	160 (1.5)
SLOW-ACTION CONTACTS (MAKE BEFORE BREAK) 		110 (1.0)	170 (1.6)
SLOW-ACTION CONTACTS (2 NORMALLY CLOSED) 		110 (1.0)	150 (1.4)



NOTE:- ANY STANDARD LISTING WITH SUFFIX 'RS' OR 'FE' IS PERMITTED.



IEC 947-5-1 ELECTRICAL RATING			ENVIRONMENTAL		APPROVALS
SILVER CONTACTS			ENVIRONMENTAL		UL IEC 947-5-1 EN50047
GOLD PLATED CONTACTS			IP66 NEMA 1, 4, 12, 13		
AC	AC (FOR 2NC)	DC	TEMP RANGE : -25°C TO 85°C -13°F TO 185°F		
AG00 AC15	A500 AC15	O500 DC13	STORAGE : -40°C TO 85°C -40°F TO 185°F		
Ue Ie	Ue Ie	Ue Ie	SHOCK : 50G PER IEC 68-2-27		
120 1.0	120 1.0	120 0.27	VIBRATION : 10G PER IEC 68-2-6		
240 1.0	240 1.0	240 0.27			
380 1.0	380 1.0	380 1.0			
480 1.0	480 1.0	480 1.0			
500 1.0	500 1.0	500 1.0			
600 1.0	600 1.0	600 1.0			
I _{th} = 10A					
1V 10µA MIN.					
50V 100mA MAX.					

NOTE: FOR CONNECTION DIAGRAMS AND ADDITIONAL ELECTRICAL, ENVIRONMENTAL & DIMENSIONAL INFORMATION SEE DRAWING GL-49212.