

| REVISIONS | | | | |
|-----------|---------|------------------------|----------|----------|
| REV. | ECN/E-R | DESCRIPTION | DATE | APPROVED |
| A | | PROPOSAL | MAR25/09 | |
| B | | UPDATED | APR21/09 | |
| C | | B-B APPLICATIONS ADDED | MAY25/09 | |



MATERIAL:
COPPER ALLOY

PLATING OPTION Y=2:
2.54um MIN. NICKEL

PLATING OPTION Y=3:
3.81um MIN. MATTE TIN
OVER 1.27um MIN. NICKEL.

LIGHT PIPE:
CLEAR POLYCARBONATE

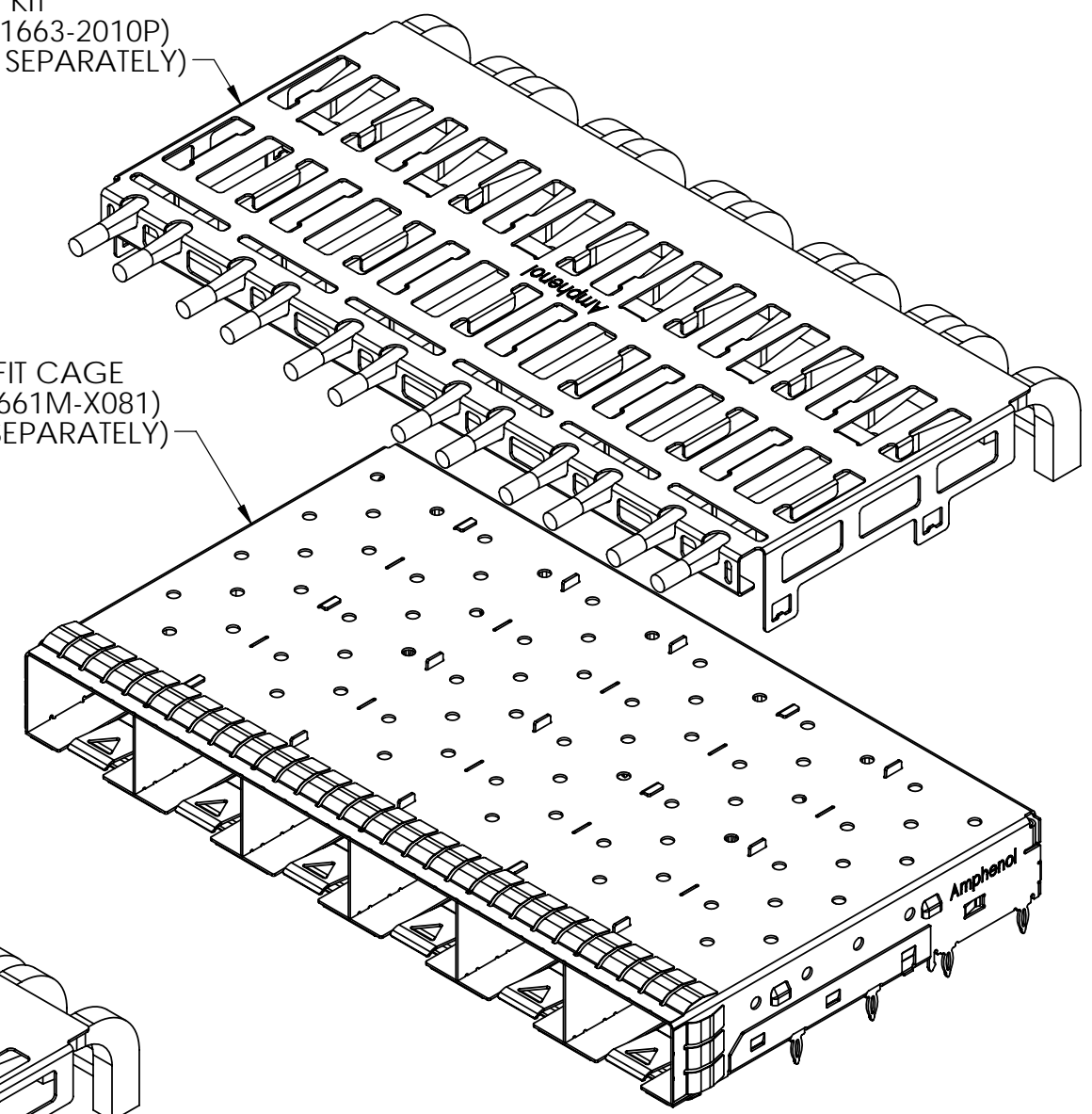
BRACKET FOR LIGHT PIPE:
STAINLESS STEEL

PACKAGING:
TRAY PACKAGING

TEMPERATURE RANGE:
-40C TO +85C

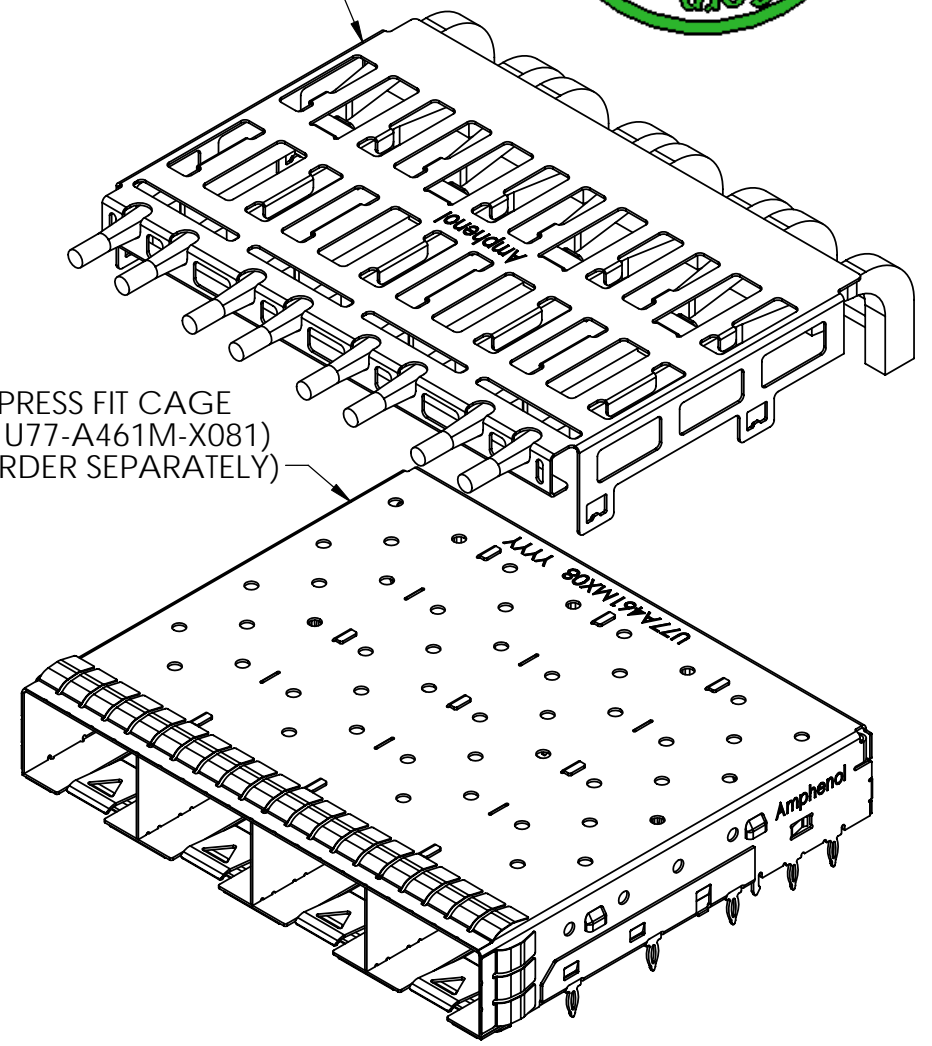
LIGHT PIPE KIT
(P/N: U77-1663-2010P)
(IF ORDER SEPARATELY)

SFP+PRESS FIT CAGE
(P/N U77-A661M-X081)
(IF ORDER SEPARATELY)



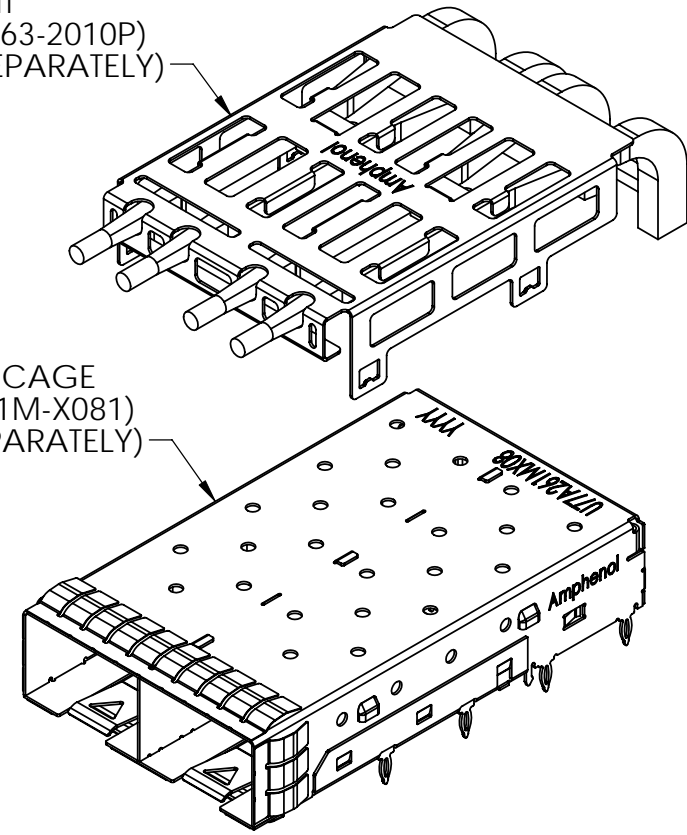
LIGHT PIPE KIT
(P/N: U77-1463-2010P)
(IF ORDER SEPARATELY)

SFP+PRESS FIT CAGE
(P/N U77-A461M-X081)
(IF ORDER SEPARATELY)



LIGHT PIPE KIT
(P/N: U77-1263-2010P)
(IF ORDER SEPARATELY)

SFP+PRESS FIT CAGE
(P/N U77-A261M-X081)
(IF ORDER SEPARATELY)



P/N: U77-C661M-X081 SHOWN

AMPHENOL PART NUMBER CONFIGURATION

U77 - C X 6 1 M - Y 0 8 1

- PACKAGING
1 = TRAY PACKAGING
- PLATING
2 = NICKEL PLATING
3 = MATTE TIN PLATING
- NUMBER OF PORTS
2 = 2 PORTS
4 = 4 PORTS
6 = 6 PORTS

P/N: U77-C461M-X081 SHOWN

P/N: U77-C261M-X081 SHOWN

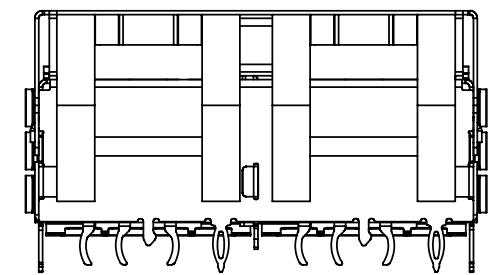
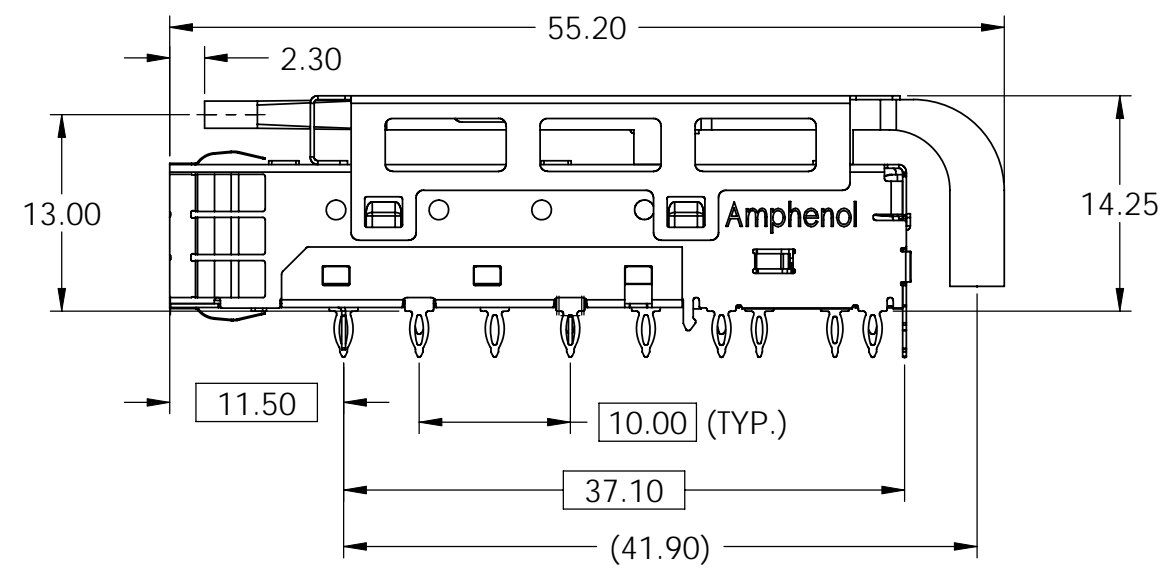
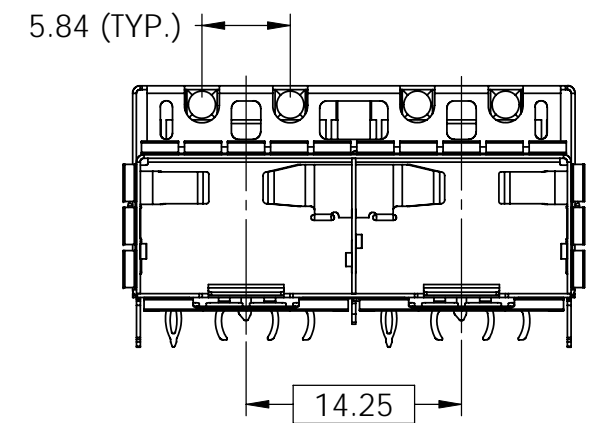
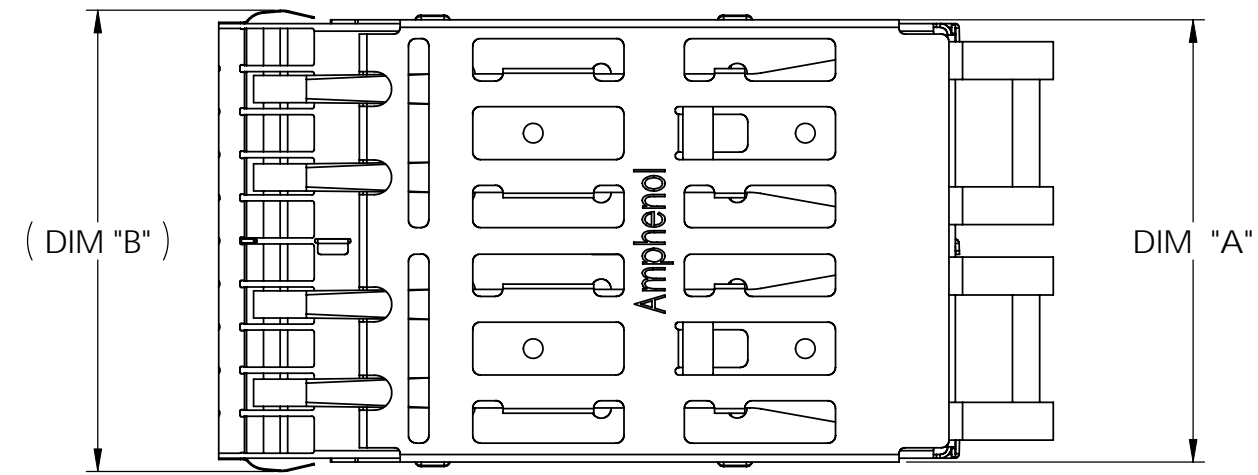
DO NOT SCALE DRAWING

THIS DOCUMENT CONTAINS PROPRIETARY INFORMATION AND SUCH INFORMATION MAY NOT BE DISCLOSED TO OTHERS FOR ANY PURPOSE OR USED FOR MANUFACTURING PURPOSES WITHOUT PERMISSION FROM AMPHENOL CANADA CORP.

| | | | | | | |
|--|----------------|-----------------|------------------|---|-----------------------------|-----------|
| UNLESS OTHERWISE SPECIFIED DIMENSIONS ARE IN MILLIMETERS TOLERANCES ARE: | | APPROVALS | | DATE | Amphenol Canada Corp. | |
| DECIMALS X.X ± 0.38 X.XX ± 0.25 | ANGLES ± 1° | DRAWN Jane.Z | MAR13/09 | TITLE | | |
| MATERIAL AND FINISH SEE NOTE 1 | | CHECKED J.SI | MAR25/09 | 1XN SFP+ CAGE SPRINGFINGER EMI, WITH LIGHT PIPE | | |
| REF. | IE APPD | DWG APPD A.G | MAR25/09 | SIZE A3 | DWG. NO P-U77-CX61M-X081 | REV. C |
| CODE IDENT. NO 03554 | SCALE 3:2 | PROJECT | SHEET 1 OF 11 | | | |

| PART NUMBER | DIM"A" | DIM"B" |
|----------------|--------|--------|
| U77-C261M-X081 | 29.26 | 30.51 |
| U77-C461M-X081 | 57.76 | 59.01 |
| U77-C661M-X081 | 86.26 | 87.51 |

| REVISIONS | | | | |
|-----------|---------|------------------------|----------|----------|
| REV. | ECN/E-R | DESCRIPTION | DATE | APPROVED |
| A | | PROPOSAL | MAR25/09 | |
| B | | UPDATED | APR21/09 | |
| C | | B-B APPLICATIONS ADDED | MAY25/09 | |



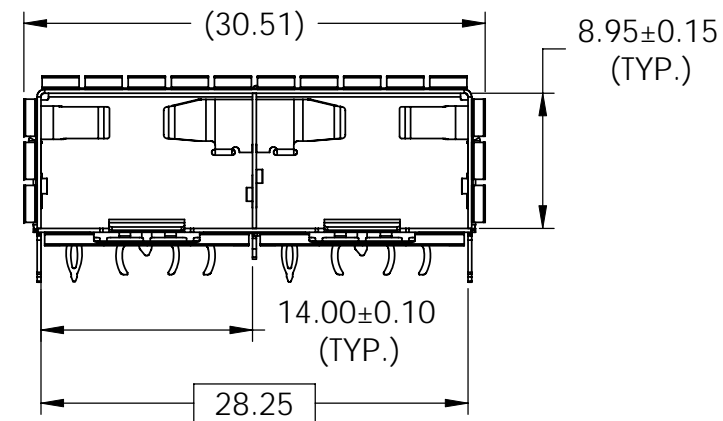
| | | | | | | | |
|--|--------|------------------|--------|-------------|--|------------------------------|---------|
| UNLESS OTHERWISE SPECIFIED DIMENSIONS ARE IN MILLIMETERS TOLERANCES ARE: | | APPROVALS | | DATE | | Amphenol Canada Corp. | |
| DECIMALS | ANGLES | DRAWN | Jane.Z | MAR13/09 | TITLE | | |
| X.X ± 0.38 | ± 1° | DESIGNED | | | 1XN SFP+ CAGE SPRINGFINGER EMI, WITH LIGHT PIPE | | |
| X.XX ± 0.25 | | CHECKED | J.SI | MAR25/09 | | | |
| MATERIAL AND FINISH | | QA APPD | | | | SIZE | |
| SEE NOTE 1 | | | | | | A3 | DWG. NO |
| REF. | | IE APPD | | | | P-U77-CX61M-X081 | REV. |
| CODE IDENT. NO. | | DWG APPD | | A.G | | MAR25/09 | C |
| 03554 | SCALE | | 1:1 | | PROJECT | | SHEET |
| | | | | | | | 2 OF 11 |

DO NOT SCALE DRAWING

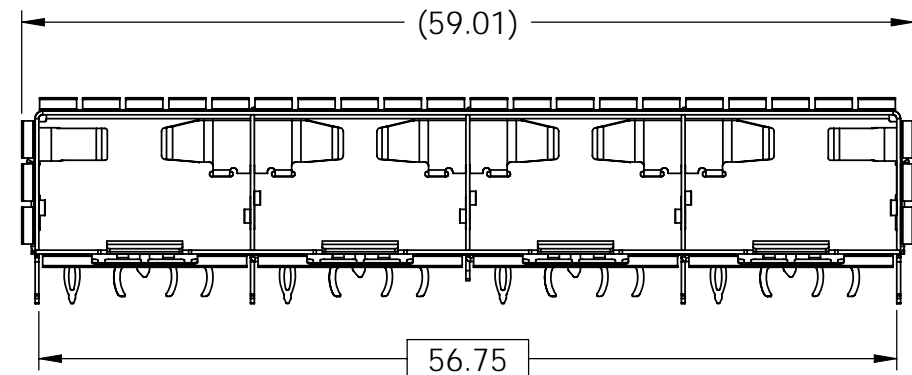
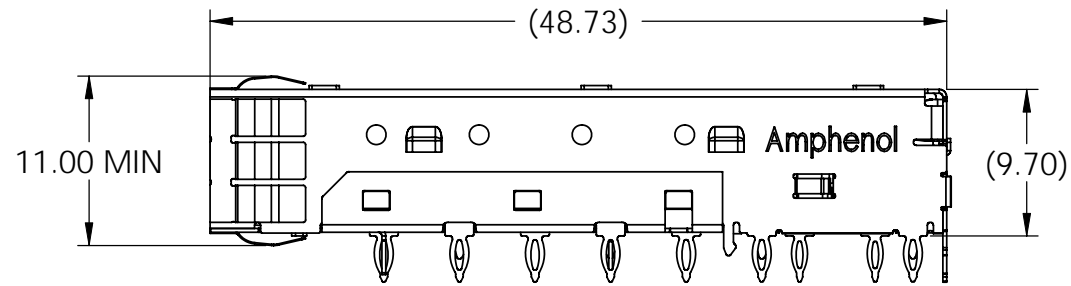
THIS DOCUMENT CONTAINS PROPRIETARY INFORMATION AND SUCH INFORMATION MAY NOT BE DISCLOSED TO OTHERS FOR ANY PURPOSE OR USED FOR MANUFACTURING PURPOSES WITHOUT PERMISSION FROM AMPHENOL CANADA CORP.

8 7 6 5 4 3 2 1

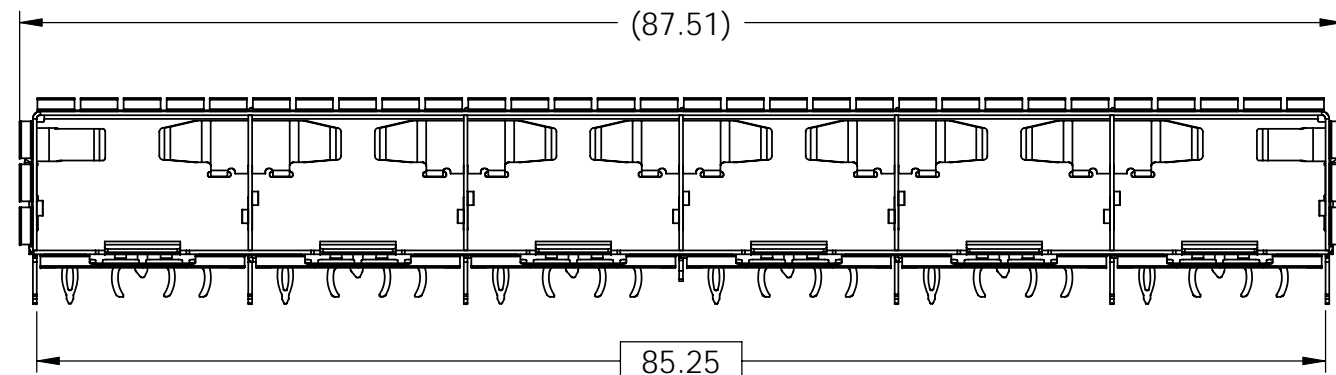
| REVISIONS | | | | |
|-----------|---------|------------------------|----------|----------|
| REV. | ECN/E-R | DESCRIPTION | DATE | APPROVED |
| A | | PROPOSAL | MAR25/09 | |
| B | | UPDATED | APR21/09 | |
| C | | B-B APPLICATIONS ADDED | MAY25/09 | |



U77-A261M-X081



U77-A461M-X081



U77-A661M-X081

DO NOT SCALE DRAWING

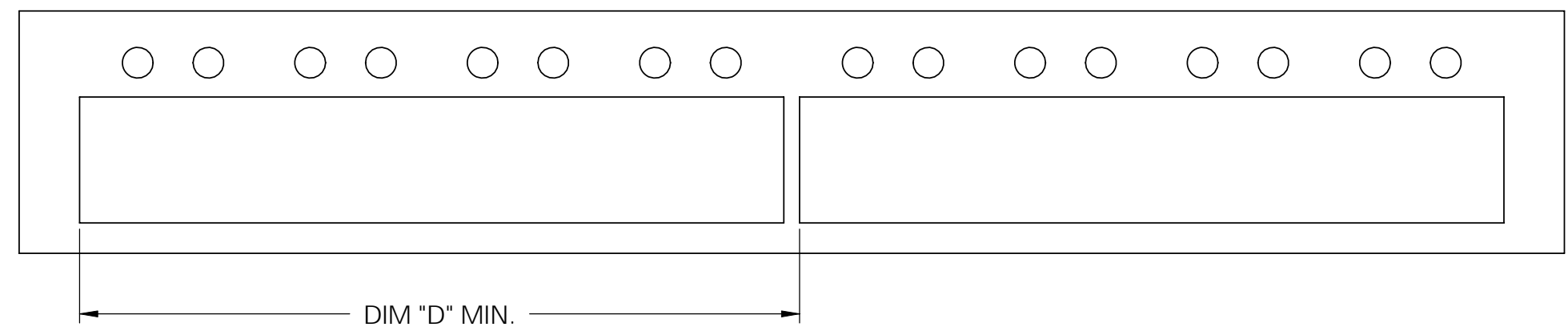
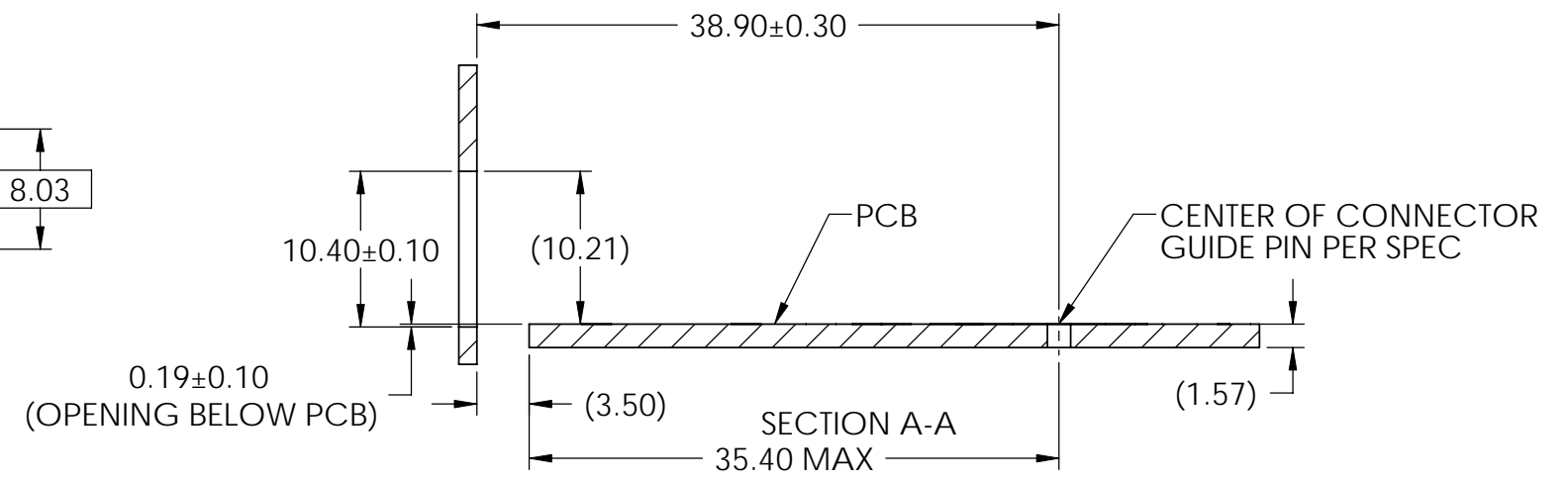
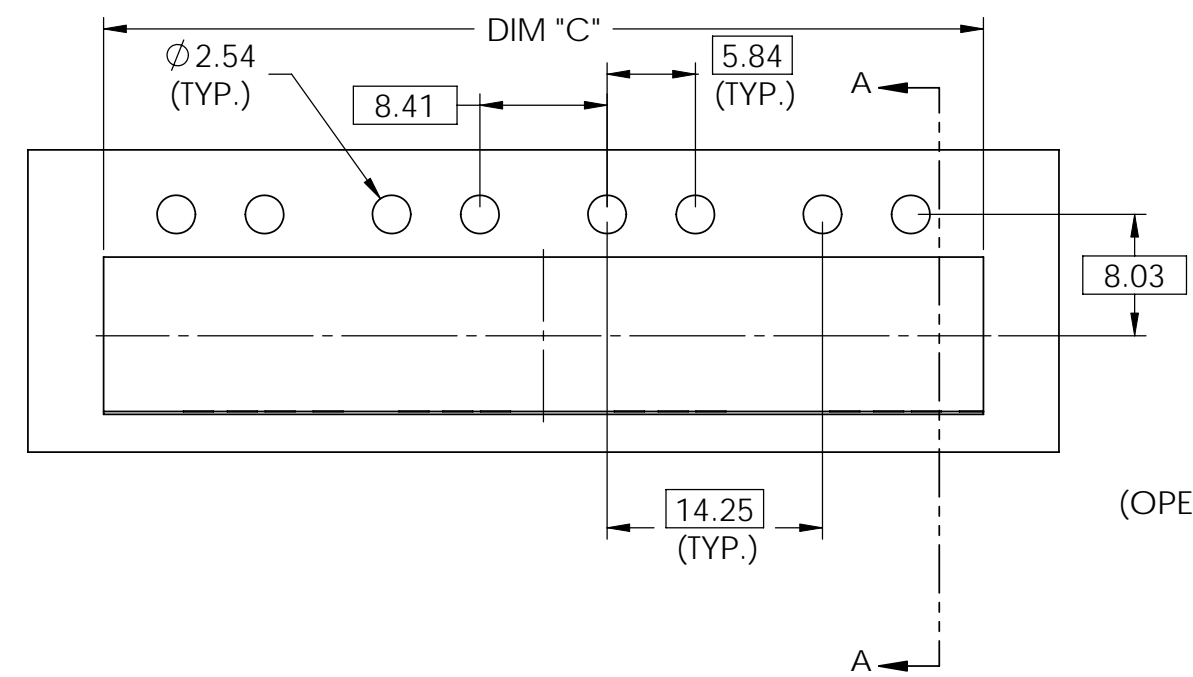
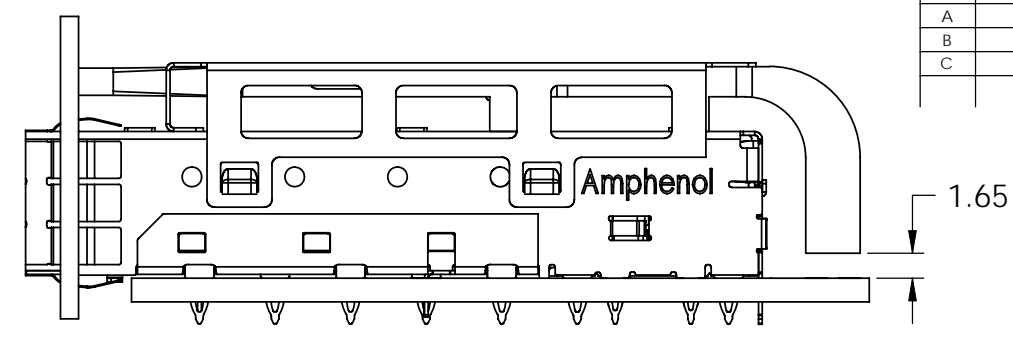
THIS DOCUMENT CONTAINS PROPRIETARY INFORMATION AND SUCH INFORMATION MAY NOT BE DISCLOSED TO OTHERS FOR ANY PURPOSE OR USED FOR MANUFACTURING PURPOSES WITHOUT PERMISSION FROM AMPHENOL CANADA CORP.

| | | | | |
|---|------------------|-------------|--|-----------------------------|
| UNLESS OTHERWISE SPECIFIED DIMENSIONS ARE IN MILLIMETERS TOLERANCES ARE: DECIMALS ANGLES X.X ± 0.38 ± 1° X.XX ± 0.25 | APPROVALS | DATE | Amphenol Canada Corp. | |
| | DRAWN Jane.Z | MAR13/09 | | |
| | CHECKED J.SI | MAR25/09 | 1XN SFP+ CAGE SPRINGFINGER EMI, WITH LIGHT PIPE | |
| | QA APPD | | | |
| MATERIAL AND FINISH SEE NOTE 1 | IE APPD | | SIZE A3 | DWG. NO P-U77-CX61M-X081 |
| REF. | DWG APPD A.G | MAR25/09 | SCALE 4:1 | PROJECT |
| CODE IDENT. NO. 03554 | | | | SHEET 3 OF 11 |

8 7 6 5 4 3 2 1

| PART NUMBER | DIM "C" | DIM "D" |
|----------------|---------|---------|
| U77-C261M-X081 | 29.70 | 31.00 |
| U77-C461M-X081 | 58.20 | 59.50 |
| U77-C661M-X081 | 86.70 | 88.00 |

| REVISIONS | | | | |
|-----------|---------|------------------------|----------|----------|
| REV. | ECN/E-R | DESCRIPTION | DATE | APPROVED |
| A | | PROPOSAL | MAR25/09 | |
| B | | UPDATED | APR21/09 | |
| C | | B-B APPLICATIONS ADDED | MAY25/09 | |

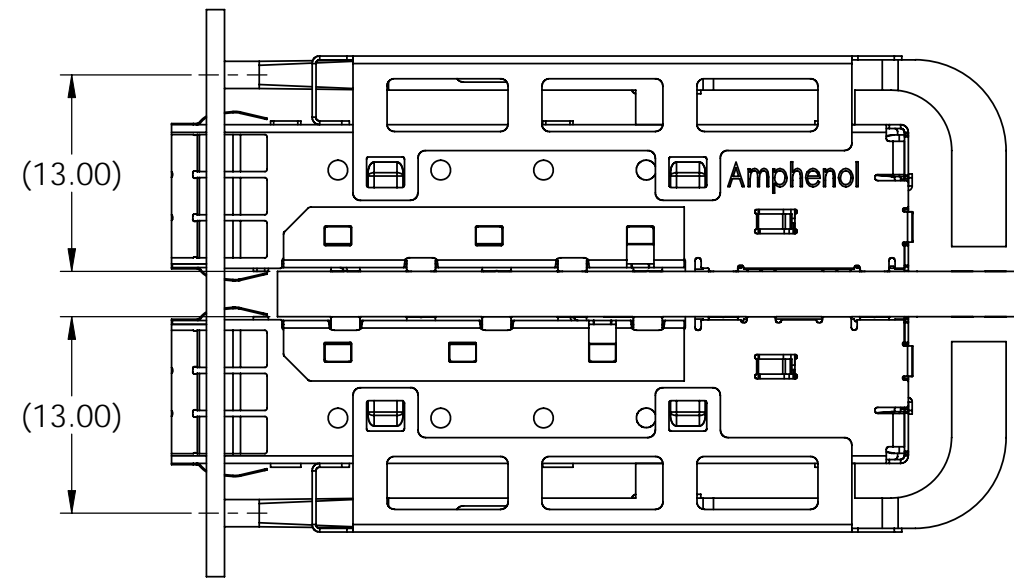


| | | | | | | |
|--|--------|-----------|--------|----------|---|------------------|
| UNLESS OTHERWISE SPECIFIED DIMENSIONS ARE IN MILLIMETERS TOLERANCES ARE: | | APPROVALS | | DATE | Amphenol Canada Corp. | |
| DECIMALS | ANGLES | DRAWN | Jane.Z | MAR13/09 | TITLE | |
| X.X ± 0.38 | ± 1° | DESIGNED | | | 1XN SFP+ CAGE SPRINGFINGER EMI, WITH LIGHT PIPE | |
| X.XX ± 0.25 | | CHECKED | J.SI | MAR25/09 | SIZE | DWG. NO. |
| MATERIAL AND FINISH | | QA APPD | | | A3 | P-U77-CX61M-X081 |
| SEE NOTE 1 | | IE APPD | | | SCALE | PROJECT |
| REF. | | DWG APPD | A.G | MAR25/09 | 2:1 | SHEET |
| CODE IDENT. NO. | 03554 | | | | | 4 OF 11 |

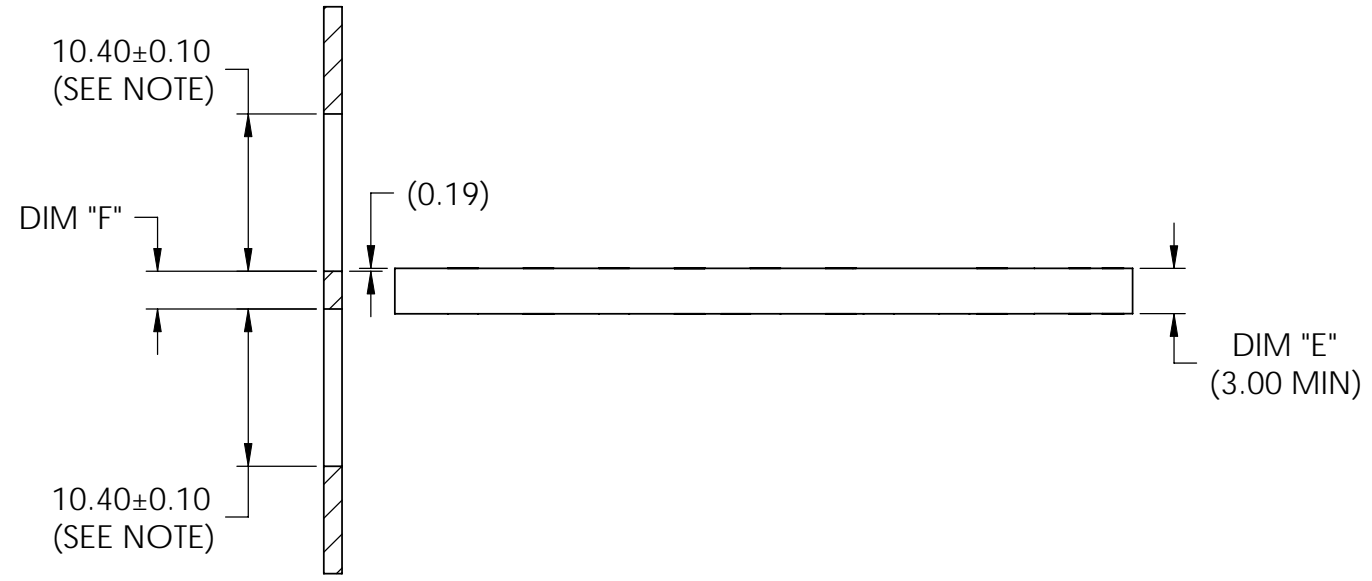
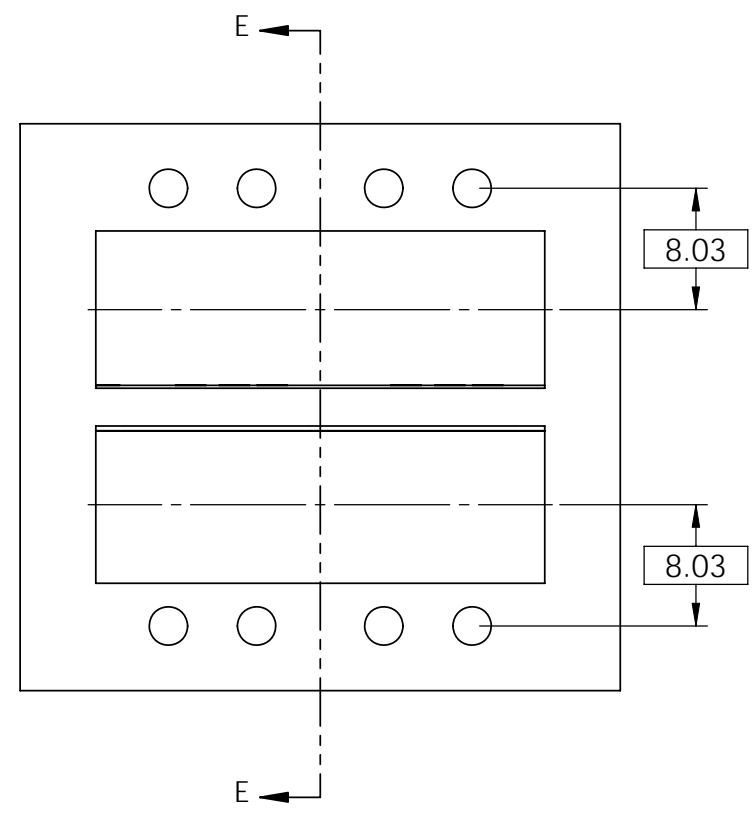
DO NOT SCALE DRAWING

THIS DOCUMENT CONTAINS PROPRIETARY INFORMATION AND SUCH INFORMATION MAY NOT BE DISCLOSED TO OTHERS FOR ANY PURPOSE OR USED FOR MANUFACTURING PURPOSES WITHOUT PERMISSION FROM AMPHENOL CANADA CORP.

| REVISIONS | | | | |
|-----------|---------|------------------------|----------|----------|
| REV. | ECN/E-R | DESCRIPTION | DATE | APPROVED |
| A | | PROPOSAL | MAR25/09 | |
| B | | UPDATED | APR21/09 | |
| C | | B-B APPLICATIONS ADDED | MAY25/09 | |



NOTE:
 PANEL CUTOUT SIZES PER SFF 8433 SPEC. FOR BELLY TO BELLY MOUNTING, DIM "E" (PCB THICKNESS) IS 3.0 mm MIN. DIM "F" RELATED TO DIM "E". FOR DIM "F" = DIM "E" - 0.44 mm. THE PANEL CUTOUT 10.40 mm MIGHT BE INCREASED UP TO 10.80 mm IN ORDER TO ACCOMMODATE PCB TOLERANCE.



SECTION E-E

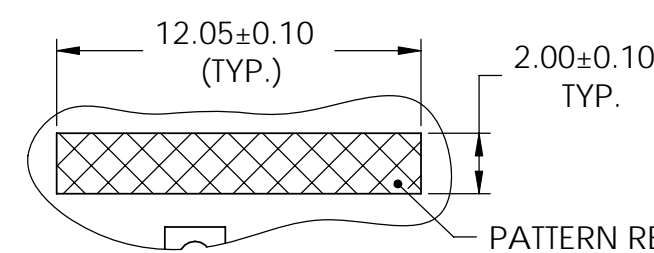
DO NOT SCALE DRAWING

THIS DOCUMENT CONTAINS PROPRIETARY INFORMATION AND SUCH INFORMATION MAY NOT BE DISCLOSED TO OTHERS FOR ANY PURPOSE OR USED FOR MANUFACTURING PURPOSES WITHOUT PERMISSION FROM AMPHENOL CANADA CORP.

| | | | | | | |
|--|--------|-----------|--------|----------|---|------------------|
| UNLESS OTHERWISE SPECIFIED DIMENSIONS ARE IN MILLIMETERS TOLERANCES ARE: | | APPROVALS | | DATE | Amphenol Canada Corp. | |
| DECIMALS | ANGLES | DRAWN | Jane.Z | MAR13/09 | TITLE | |
| X.X ± 0.38 | ± 1° | DESIGNED | | | 1XN SFP+ CAGE SPRINGFINGER EMI, WITH LIGHT PIPE | |
| X.XX ± 0.25 | | CHECKED | J.SI | MAR25/09 | SIZE | DWG. NO. |
| MATERIAL AND FINISH | | QA APPD | | | A3 | P-U77-CX61M-X081 |
| SEE NOTE 1 | | IE APPD | | | SCALE | PROJECT |
| REF. | | DWG APPD | A.G | MAR25/09 | 2:1 | SHEET |
| CODE IDENT. NO. | 03554 | | | | | 5 OF 11 |

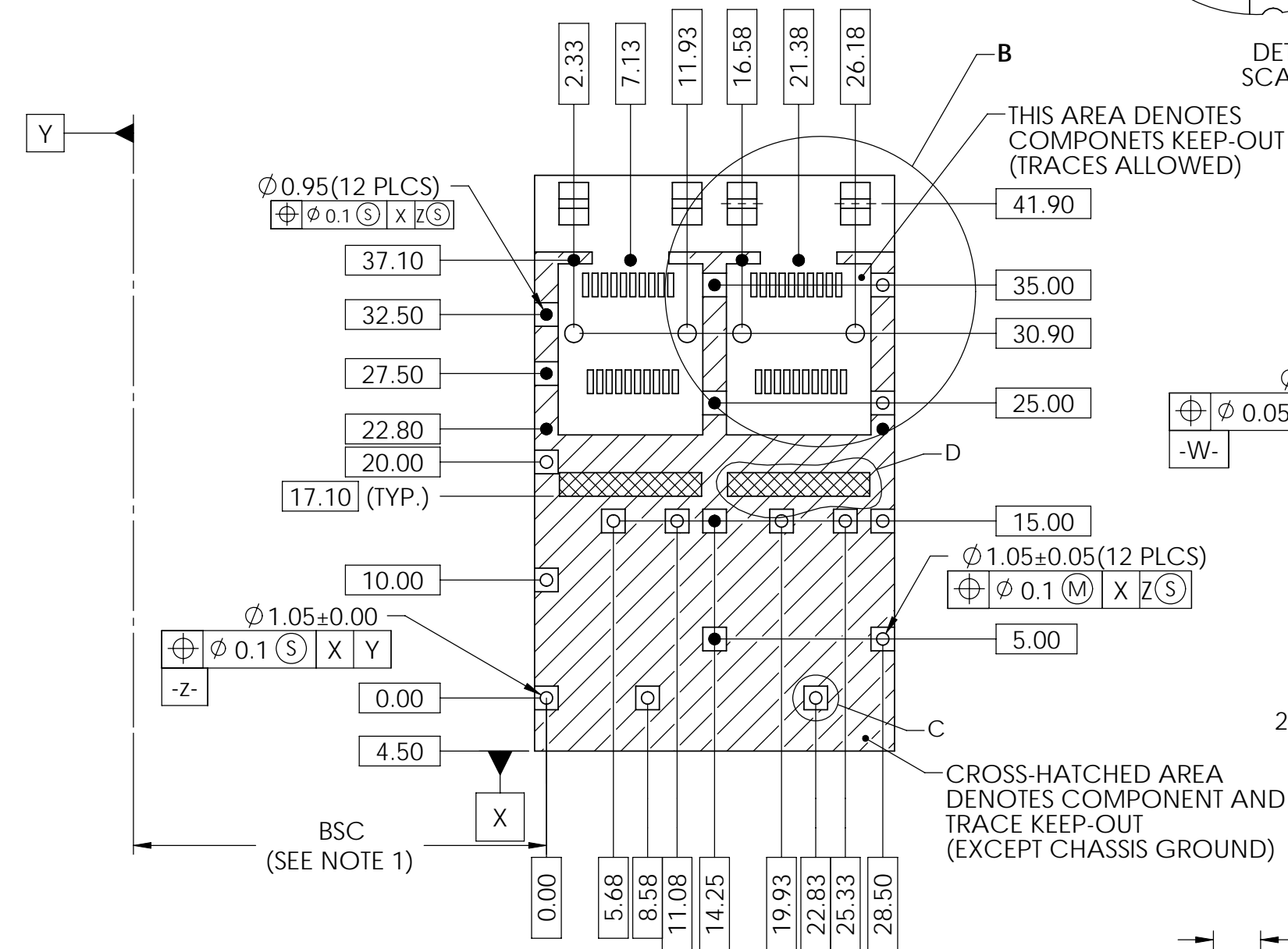
- NOTES:
 1. DATUM AND BASIC DIMENSIONS ESTABLISHED BY CUSTOMER.
 2. PADS AND VIAS ARE CHASSIS GROUND.
 3. THRU-HOLES, PLATING OPTIONAL.
 4. SEE DRAWINGS P-UX76-A20-X00XX FOR CONNECTOR LAYOUT.

| REVISIONS | | | | |
|-----------|---------|------------------------|----------|----------|
| REV. | ECN/E-R | DESCRIPTION | DATE | APPROVED |
| A | | PROPOSAL | MAR25/09 | |
| B | | UPDATED | APR21/09 | |
| C | | B-B APPLICATIONS ADDED | MAY25/09 | |



PATTERN REPEATS FOR EACH PORT.
 SPACING BETWEEN PORTS IS 14.25mm.
 APPLIES TO ALL GANGED LAYOUTS

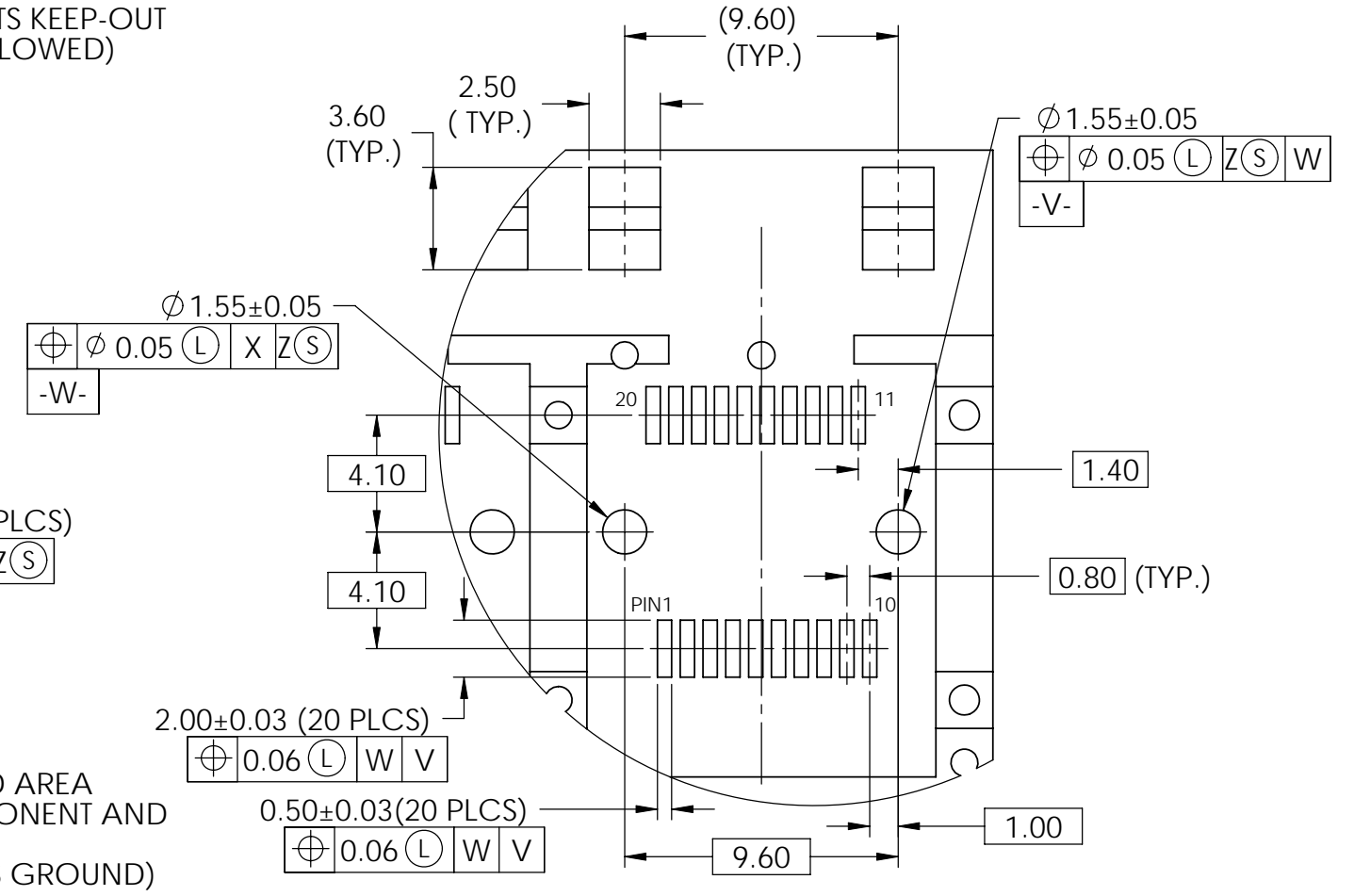
DETAIL D
 SCALE 4 : 1



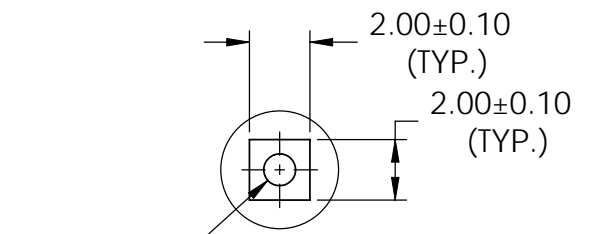
THIS AREA DENOTES
 COMPONENTS KEEP-OUT
 (TRACES ALLOWED)

CROSS-HATCHED AREA
 DENOTES COMPONENT AND
 TRACE KEEP-OUT
 (EXCEPT CHASSIS GROUND)

BSC
 (SEE NOTE 1)



DETAIL B
 SCALE 4 : 1



DETAIL C
 SCALE 4 : 1

**RECOMMENDED PCB DESIGN
 FOR SINGLE SIDE MOUNTING
 (P/N U77-C261M-X081)**

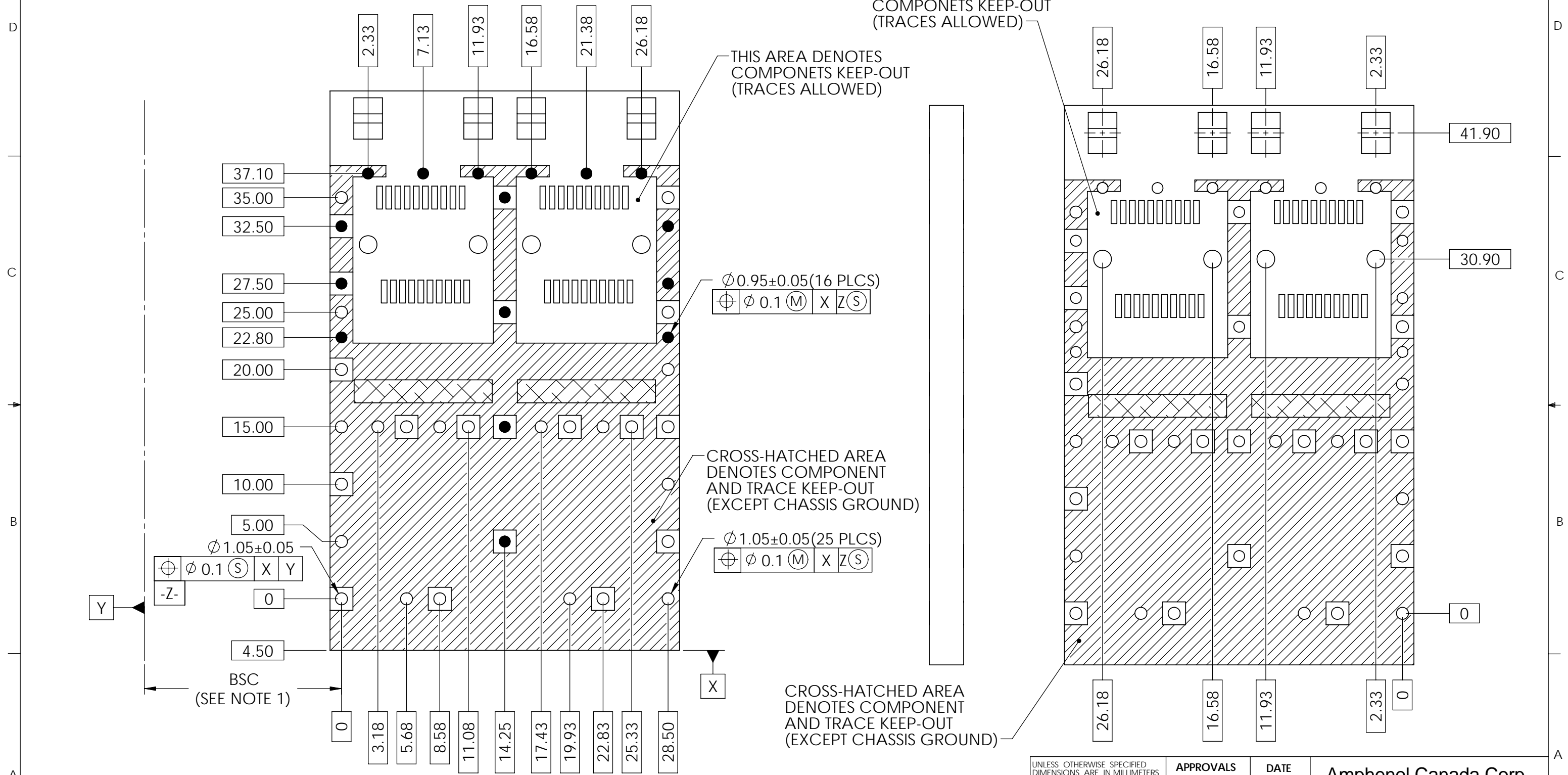
DO NOT SCALE DRAWING

THIS DOCUMENT CONTAINS PROPRIETARY INFORMATION AND SUCH INFORMATION MAY NOT BE DISCLOSED TO OTHERS FOR ANY PURPOSE
 OR USED FOR MANUFACTURING PURPOSES WITHOUT PERMISSION FROM AMPHENOL CANADA CORP.

| | | | | |
|---|--------------|----------|--|--------------------------|
| UNLESS OTHERWISE SPECIFIED DIMENSIONS ARE IN MILLIMETERS TOLERANCES ARE: DECIMALS ANGLES X.X ± 0.38 ± 1° X.XX ± 0.25 | APPROVALS | DATE | Amphenol Canada Corp. | |
| | DRAWN Jane.Z | MAR13/09 | | |
| MATERIAL AND FINISH SEE NOTE 1 | DESIGNED | | 1XN SFP+ CAGE SPRINGFINGER EMI, WITH LIGHT PIPE | |
| | CHECKED J.SI | MAR25/09 | | |
| REF. | QA APPD | | SIZE A3 | DWG. NO P-U77-CX61M-X081 |
| CODE IDENT. NO. 03554 | IE APPD | | SCALE 2:1 | PROJECT |
| | DWG APPD A.G | MAR25/09 | SHEET 6 OF 11 | REV. C |

- NOTES:
 1. DATUM AND BASIC DIMENSIONS ESTABLISHED BY CUSTOMER.
 2. PADS AND VIAS ARE CHASSIS GROUND.
 3. THRU-HOLES, PLATING OPTIONAL.
 4. SEE DRAWINGS P-UX76-A20-X00XX FOR CONNECTOR LAYOUT.

| REVISIONS | | | | |
|-----------|---------|------------------------|----------|----------|
| REV. | ECN/E-R | DESCRIPTION | DATE | APPROVED |
| A | | PROPOSAL | MAR25/09 | |
| B | | UPDATED | APR21/09 | |
| C | | B-B APPLICATIONS ADDED | MAY25/09 | |



RECOMMENDED PCB DESIGN FOR BELLY TO BELLY MOUNTING

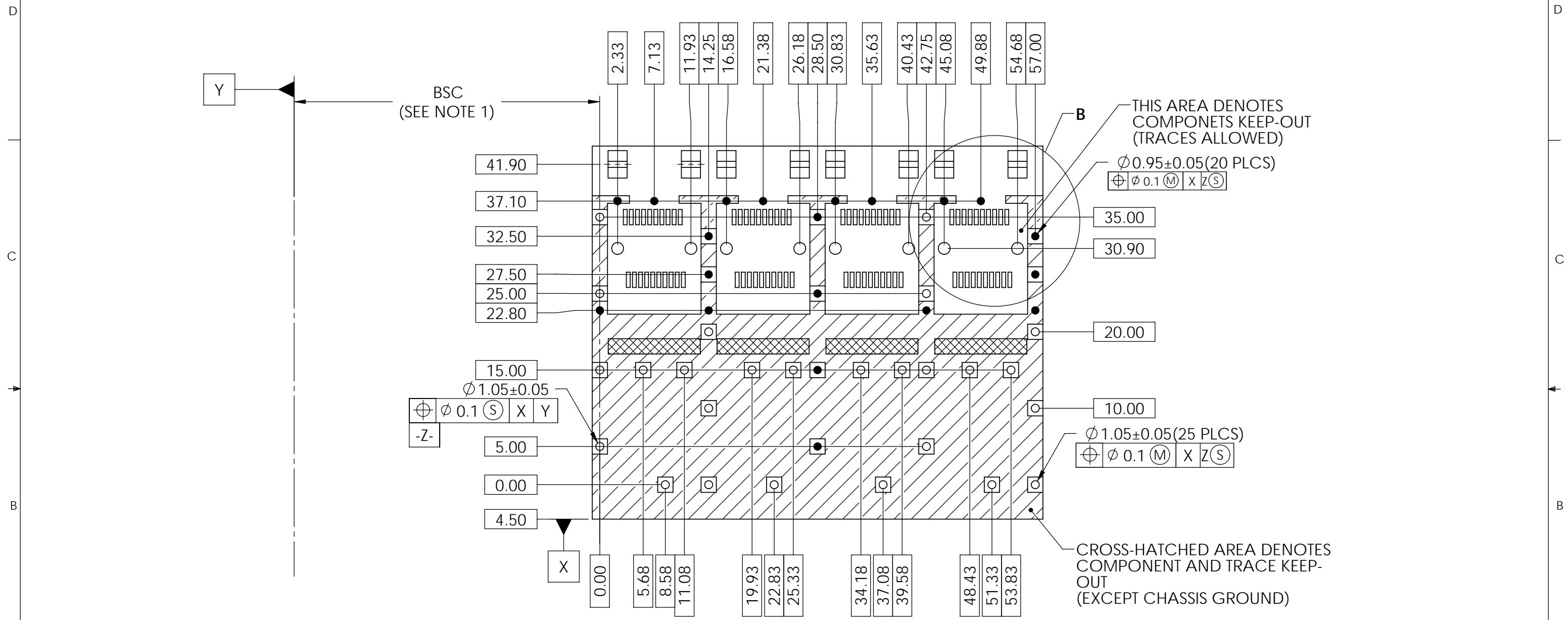
DO NOT SCALE DRAWING

THIS DOCUMENT CONTAINS PROPRIETARY INFORMATION AND SUCH INFORMATION MAY NOT BE DISCLOSED TO OTHERS FOR ANY PURPOSE OR USED FOR MANUFACTURING PURPOSES WITHOUT PERMISSION FROM AMPHENOL CANADA CORP.

| | | | | | | | |
|--|--|--------------|--|----------|--|---|--|
| UNLESS OTHERWISE SPECIFIED DIMENSIONS ARE IN MILLIMETERS TOLERANCES ARE: DECIMALS X.X ± 0.38 ANGLES ± 1° X.XX ± 0.25 | | APPROVALS | | DATE | | Amphenol Canada Corp. | |
| MATERIAL AND FINISH SEE NOTE 1 | | DRAWN Jane.Z | | MAR13/09 | | TITLE | |
| REF. | | DESIGNED | | | | 1XN SFP+ CAGE SPRINGFINGER EMI, WITH LIGHT PIPE | |
| CODE IDENT. NO. 03554 | | CHECKED J.SI | | MAR25/09 | | SIZE A3 DWG. NO. P-U77-CX61M-X081 REV. C | |
| | | DWG APPD A.G | | MAR25/09 | | SCALE 3:1 PROJECT SHEET 7 OF 11 | |

- NOTES:
 1. DATUM AND BASIC DIMENSIONS ESTABLISHED BY CUSTOMER.
 2. PADS AND VIAS ARE CHASSIS GROUND.
 3. THRU-HOLES, PLATING OPTIONAL.
 4. SEE DRAWINGS P-UX76-A20-X00XX FOR CONNECTOR LAYOUT.

| REVISIONS | | | | |
|-----------|---------|------------------------|----------|----------|
| REV. | ECN/E-R | DESCRIPTION | DATE | APPROVED |
| A | | PROPOSAL | MAR25/09 | |
| B | | UPDATED | APR21/09 | |
| C | | B-B APPLICATIONS ADDED | MAY25/09 | |



**RECOMMENDED PCB DESIGN
 FOR SINGLE SIDE MOUNTING
 (P/N U77-C461M-X081)**

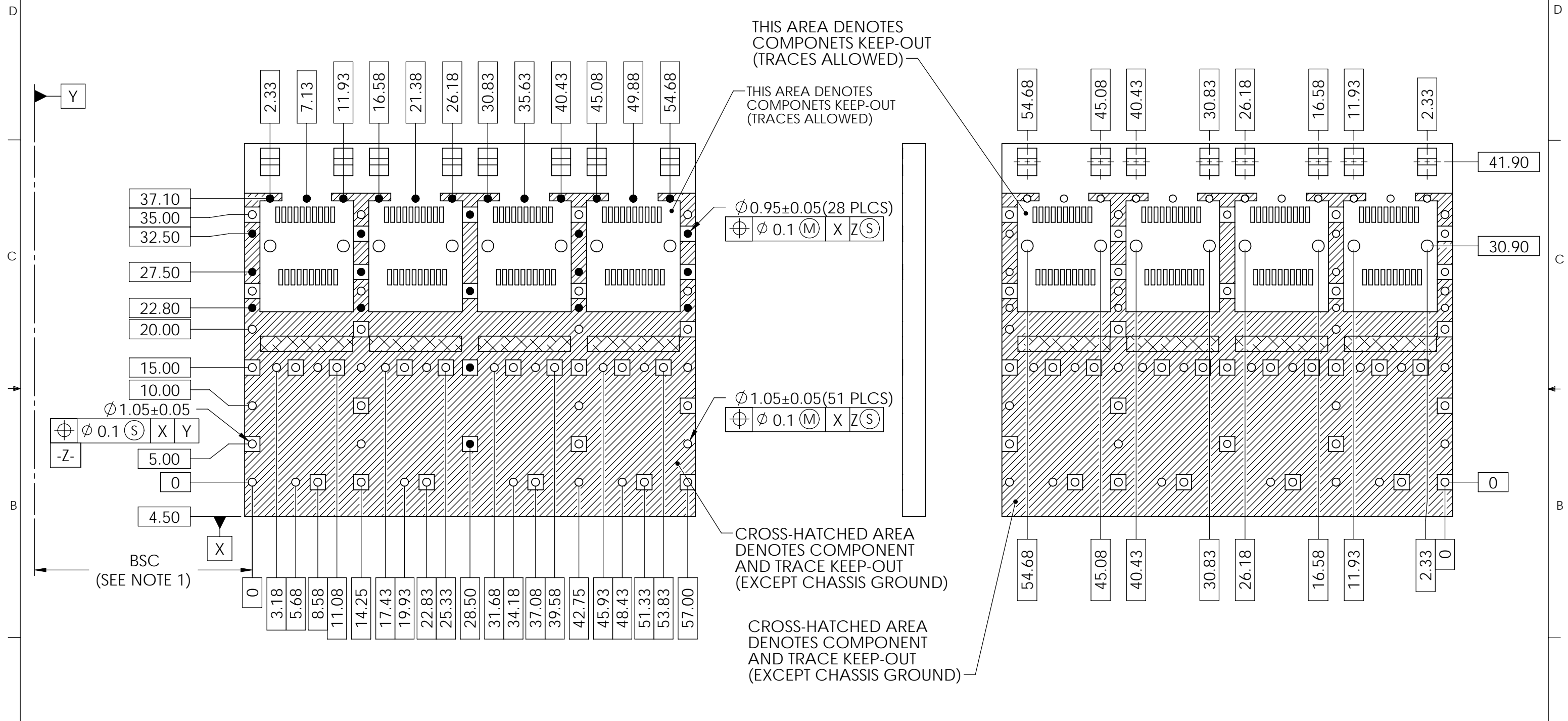
DO NOT SCALE DRAWING

THIS DOCUMENT CONTAINS PROPRIETARY INFORMATION AND SUCH INFORMATION MAY NOT BE DISCLOSED TO OTHERS FOR ANY PURPOSE OR USED FOR MANUFACTURING PURPOSES WITHOUT PERMISSION FROM AMPHENOL CANADA CORP.

| | | | | |
|--|------------------|-------------|--|---------------------------|
| UNLESS OTHERWISE SPECIFIED DIMENSIONS ARE IN MILLIMETERS TOLERANCES ARE: DECIMALS ANGLES X.X ± 0.38 ± 1° X.XX ± 0.25 MATERIAL AND FINISH SEE NOTE 1 REF. CODE IDENT. NO. 03554 | APPROVALS | DATE | Amphenol Canada Corp. | |
| | DRAWN Jane.Z | MAR13/09 | | |
| | DESIGNED | | 1XN SFP+ CAGE SPRINGFINGER EMI, WITH LIGHT PIPE | |
| | CHECKED J.SI | MAR25/09 | | |
| | QA APPD | | SIZE A3 | DWG. NO. P-U77-CX61M-X081 |
| | IE APPD | | SCALE 1:1 | PROJECT |
| | DWG APPD A.G | MAR25/09 | SHEET 8 OF 11 | REV. C |

- NOTES:
 1. DATUM AND BASIC DIMENSIONS ESTABLISHED BY CUSTOMER.
 2. PADS AND VIAS ARE CHASSIS GROUND.
 3. THRU-HOLES, PLATING OPTIONAL.
 4. SEE DRAWINGS P-UX76-A20-X00XX FOR CONNECTOR LAYOUT.

| REVISIONS | | | | |
|-----------|---------|------------------------|----------|----------|
| REV. | ECN/E-R | DESCRIPTION | DATE | APPROVED |
| A | | PROPOSAL | MAR25/09 | |
| B | | UPDATED | APR21/09 | |
| C | | B-B APPLICATIONS ADDED | MAY25/09 | |



RECOMMENDED PCB DESIGN FOR BELLY TO BELLY MOUNTING

DO NOT SCALE DRAWING

THIS DOCUMENT CONTAINS PROPRIETARY INFORMATION AND SUCH INFORMATION MAY NOT BE DISCLOSED TO OTHERS FOR ANY PURPOSE OR USED FOR MANUFACTURING PURPOSES WITHOUT PERMISSION FROM AMPHENOL CANADA CORP.

| | | | | |
|---|--------------|----------|---|---------------------------|
| UNLESS OTHERWISE SPECIFIED DIMENSIONS ARE IN MILLIMETERS TOLERANCES ARE: DECIMALS X.X ± 0.38 X.XX ± 0.25 MATERIAL AND FINISH SEE NOTE 1 REF. CODE IDENT. NO. 03554 | APPROVALS | DATE | Amphenol Canada Corp. | |
| | DRAWN Jane.Z | MAR13/09 | | |
| | CHECKED J.SI | MAR25/09 | 1XN SFP+ CAGE SPRINGFINGER EMI, WITH LIGHT PIPE | |
| | QA APPD | | | |
| | IE APPD | | SIZE A3 | DWG. NO. P-U77-CX61M-X081 |
| | DWG APPD A.G | MAR25/09 | SCALE 2:1 | PROJECT SHEET 9 OF 11 |

