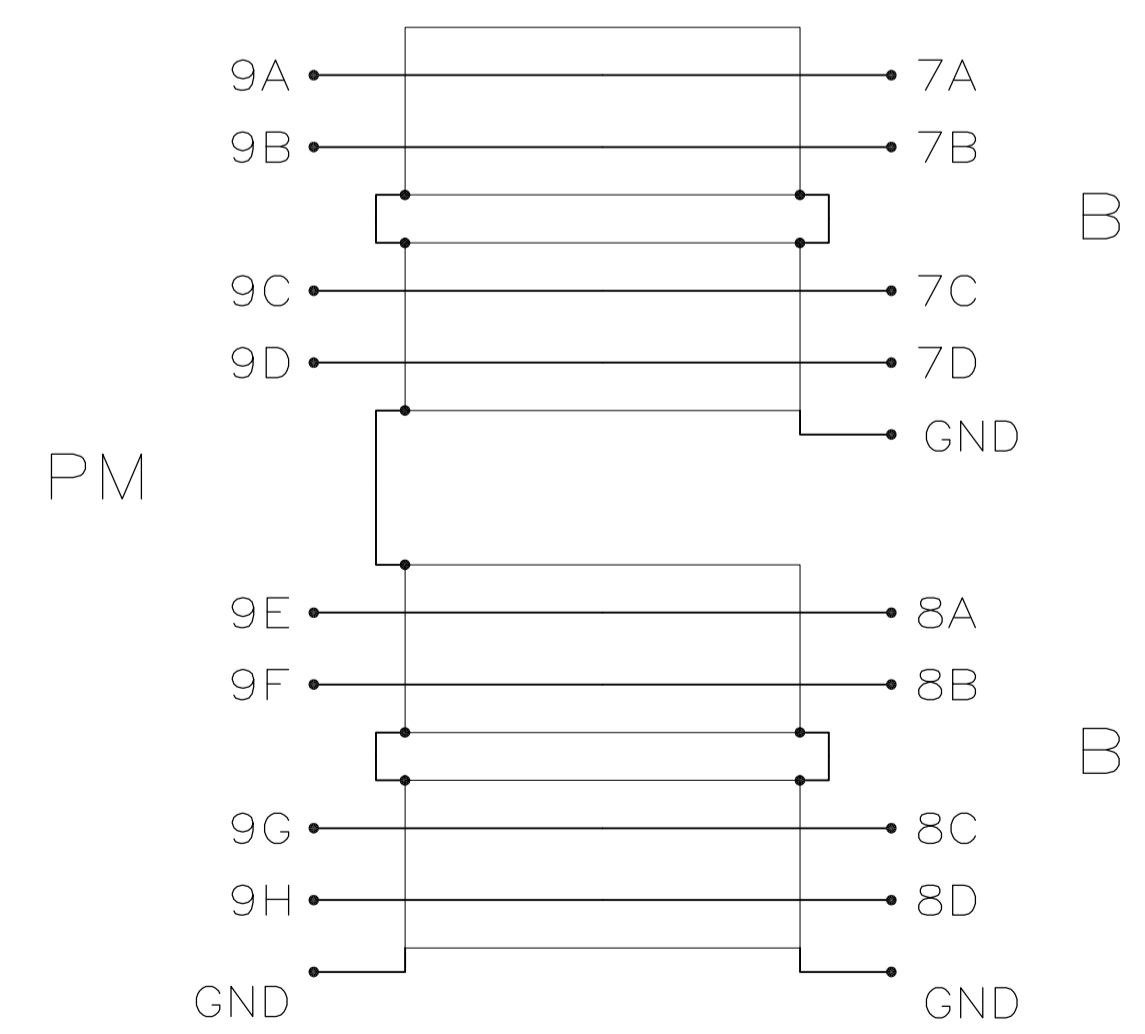
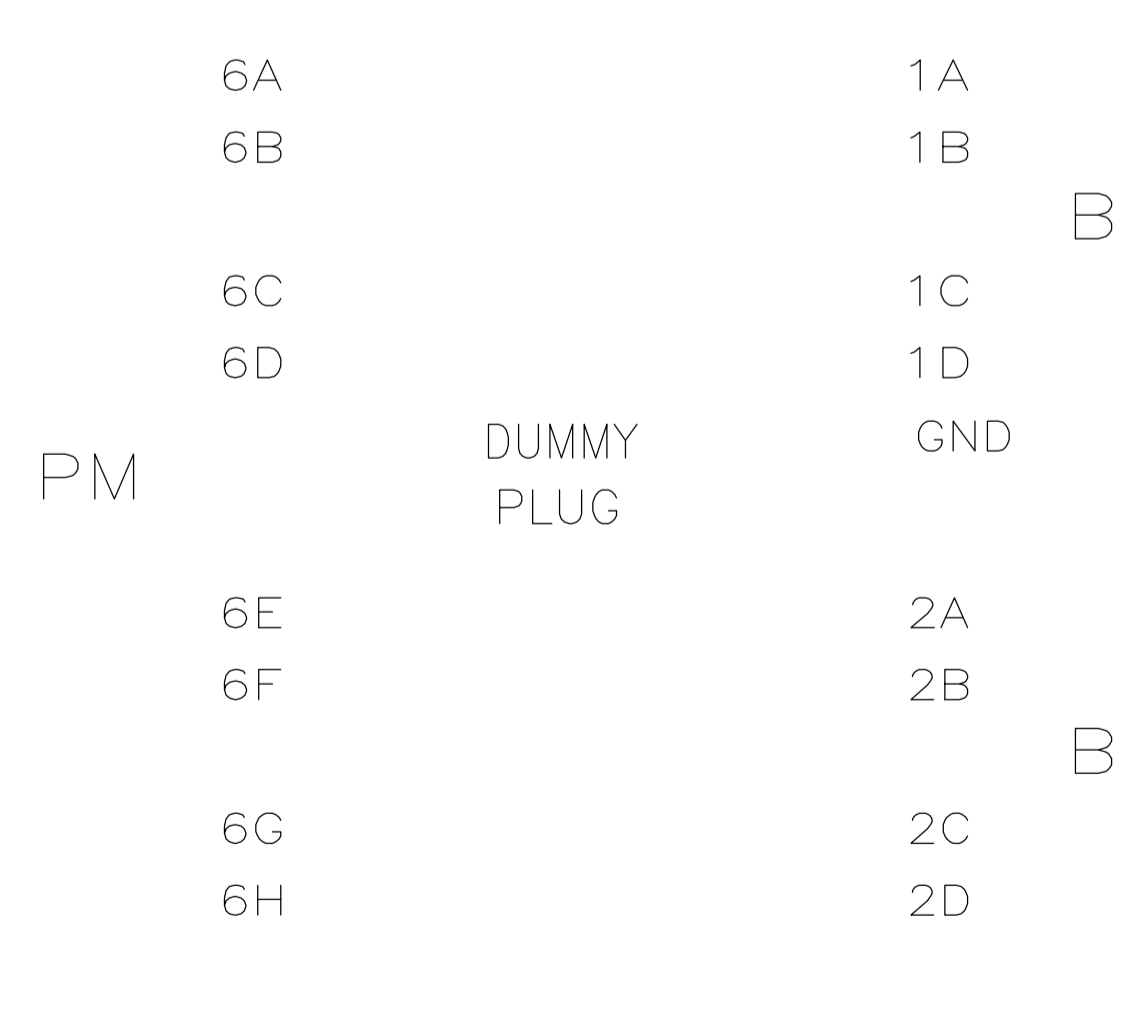
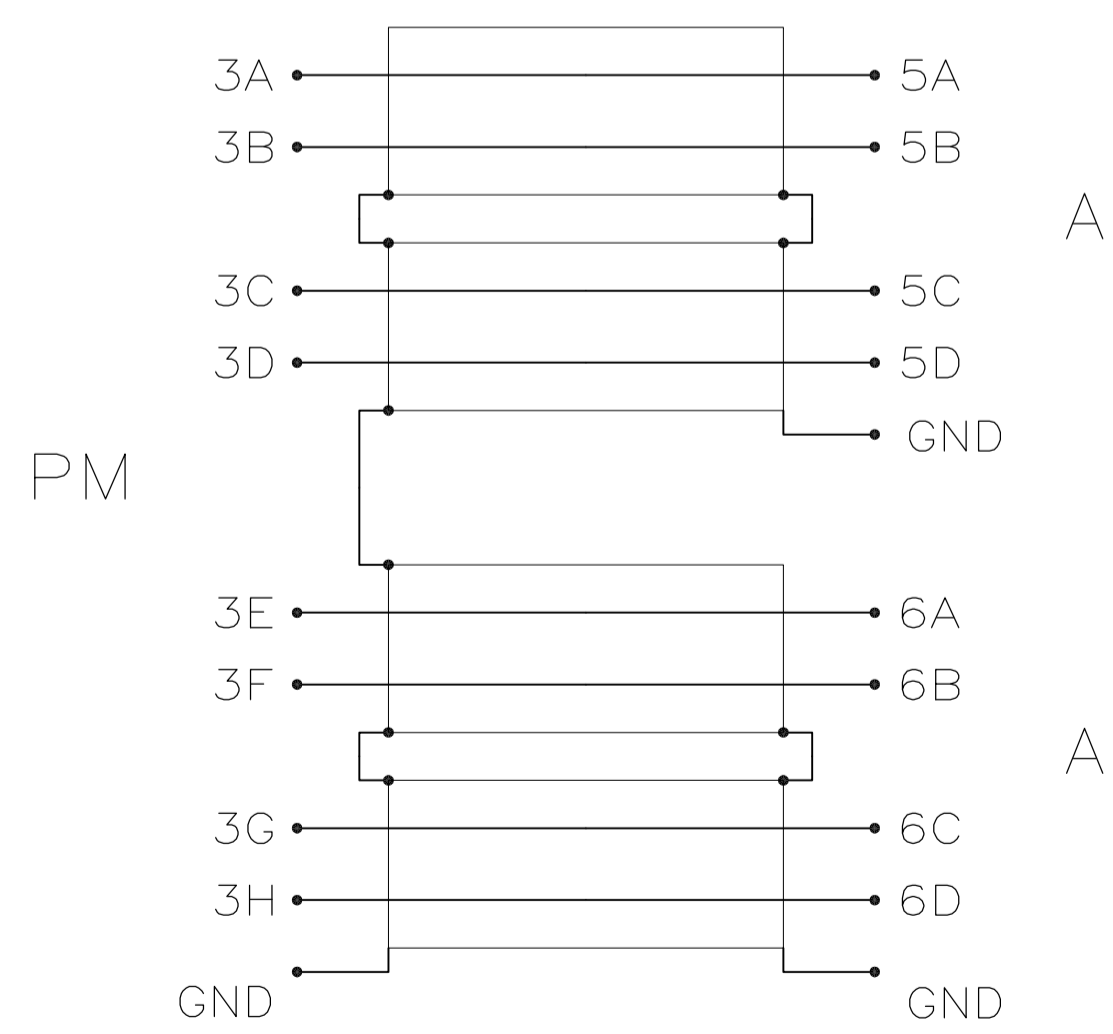
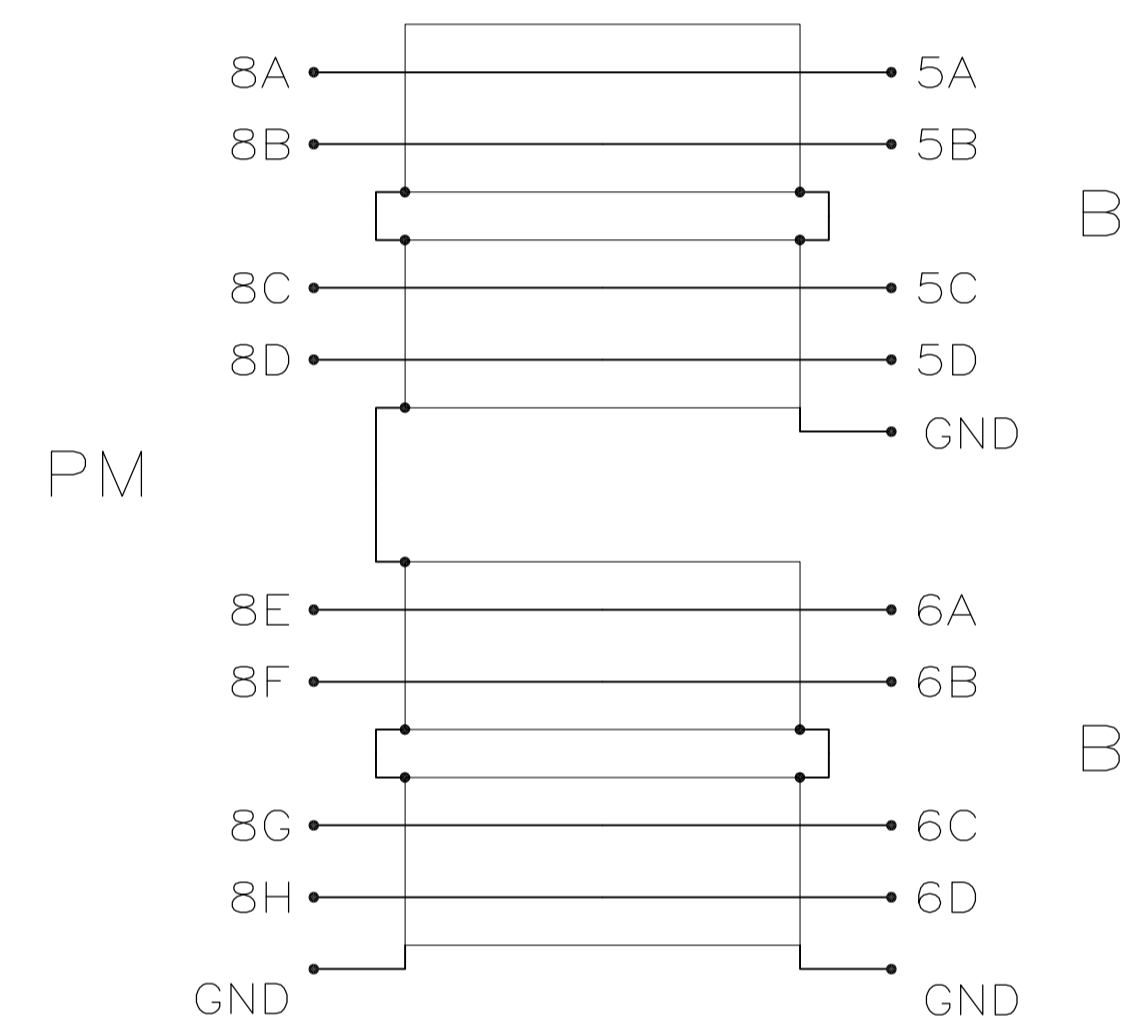
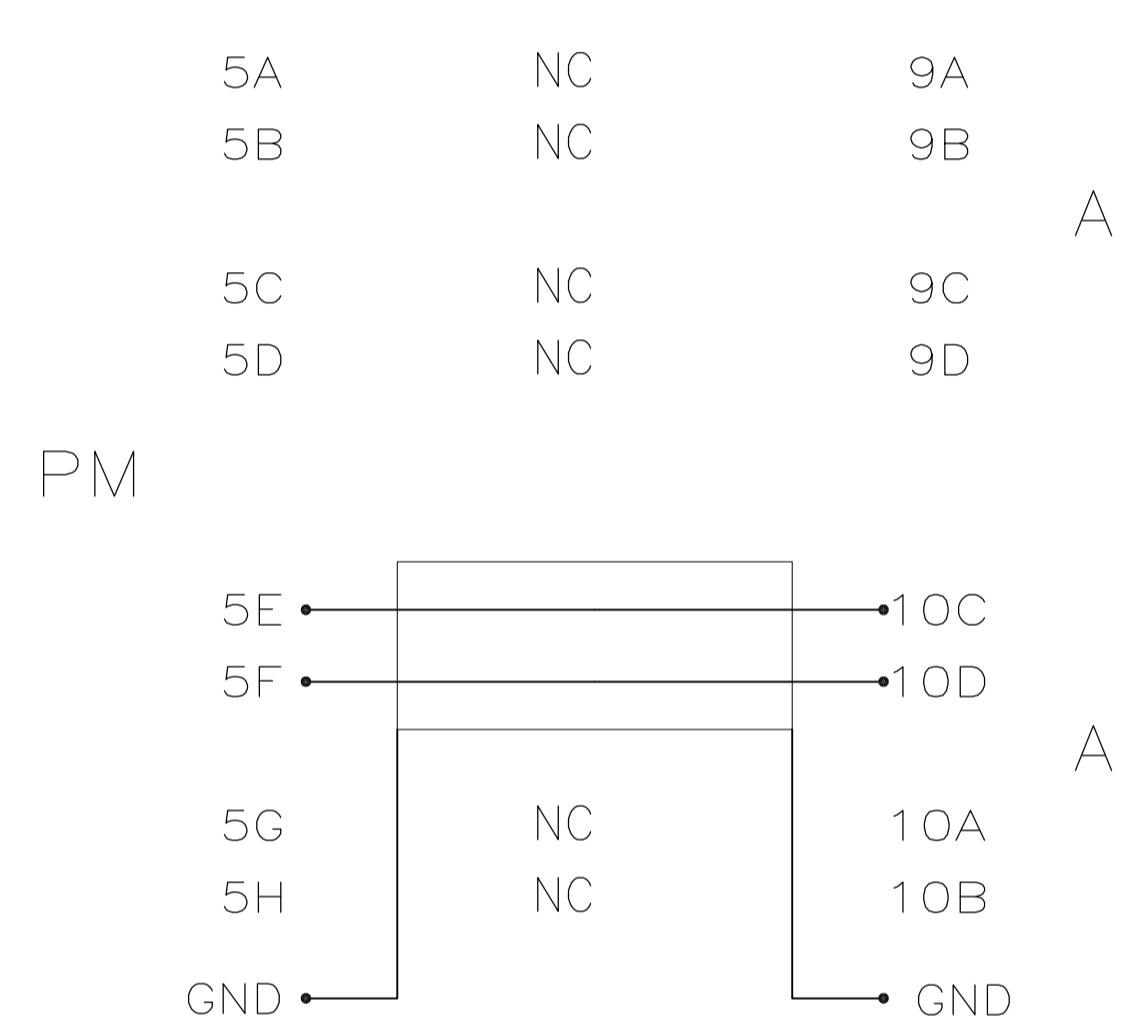
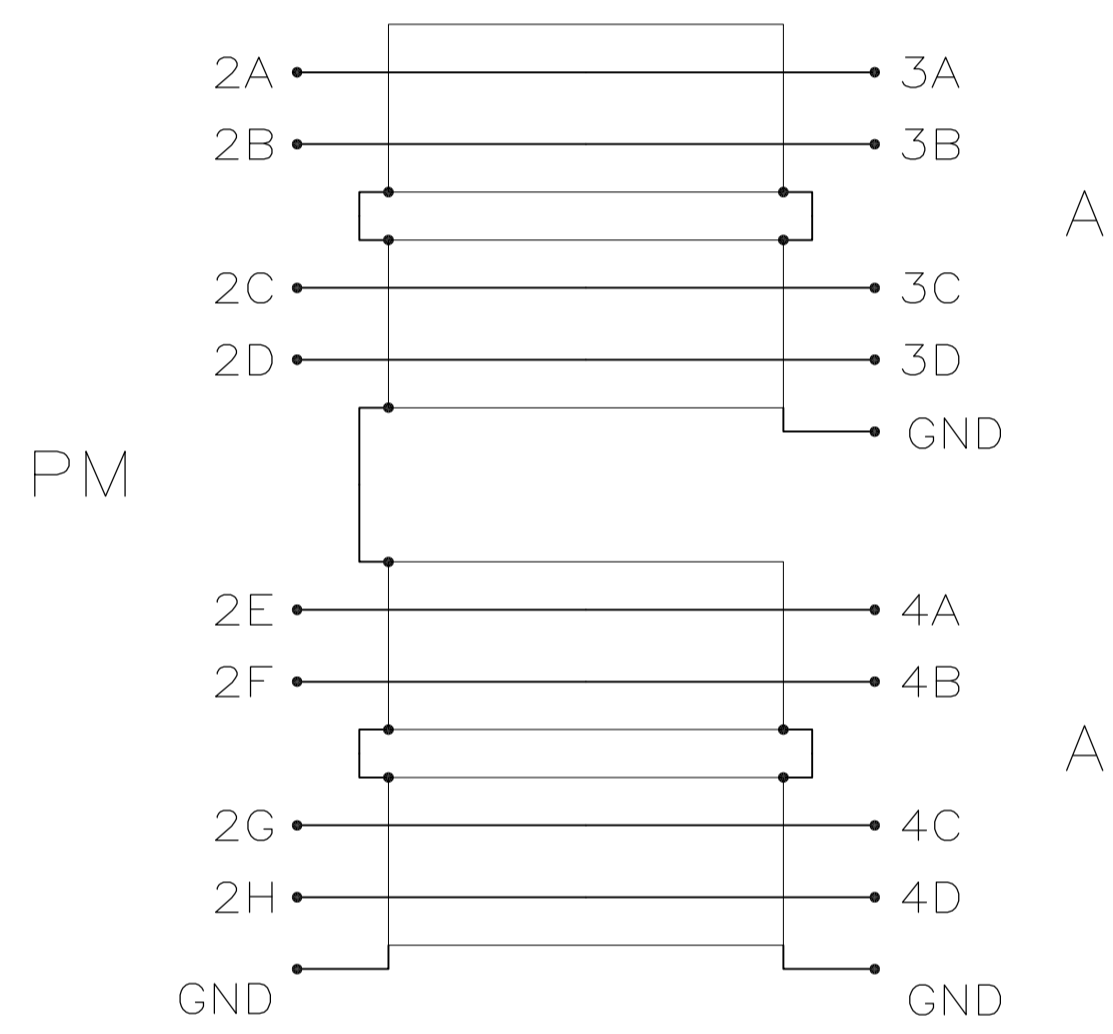
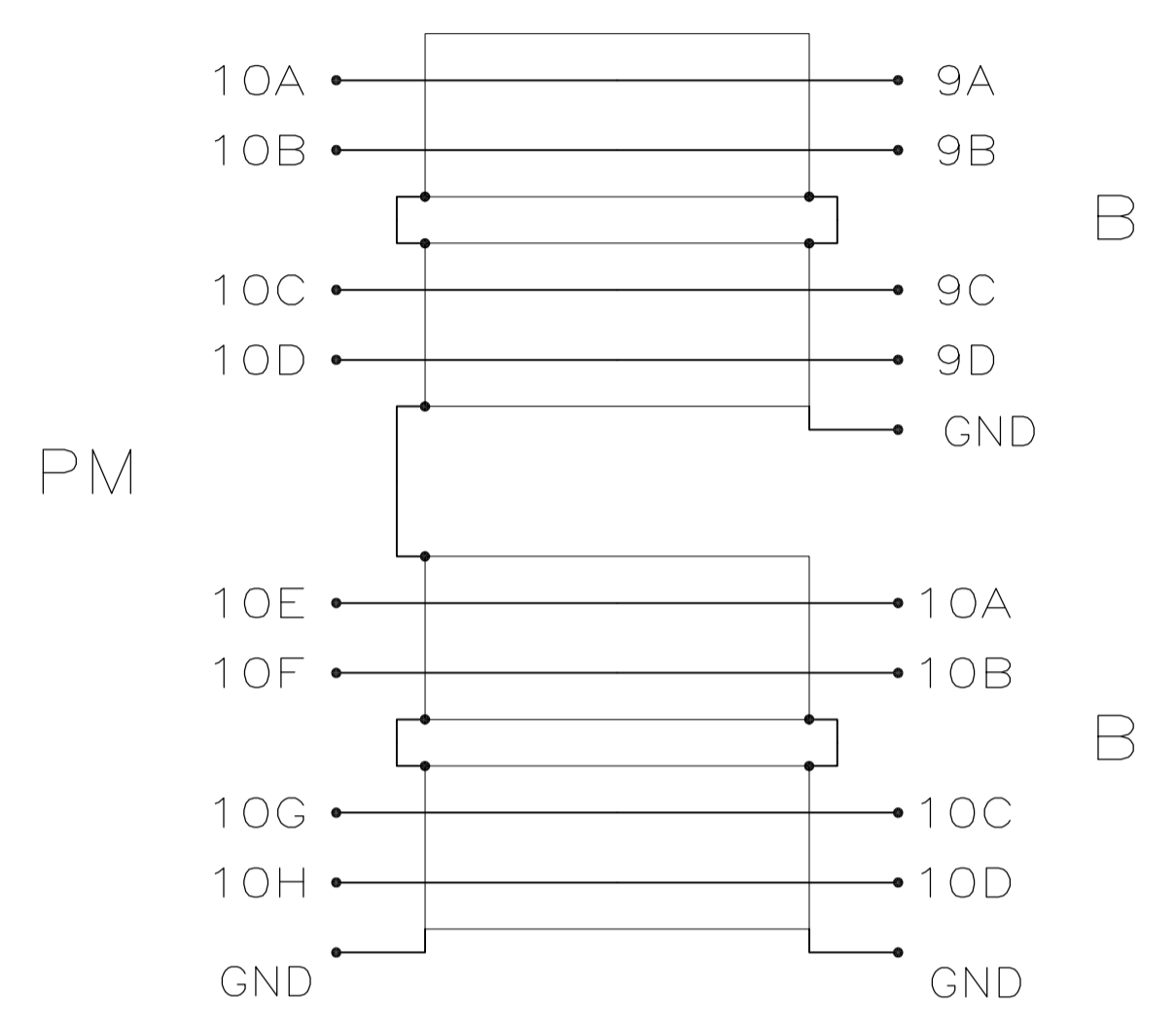
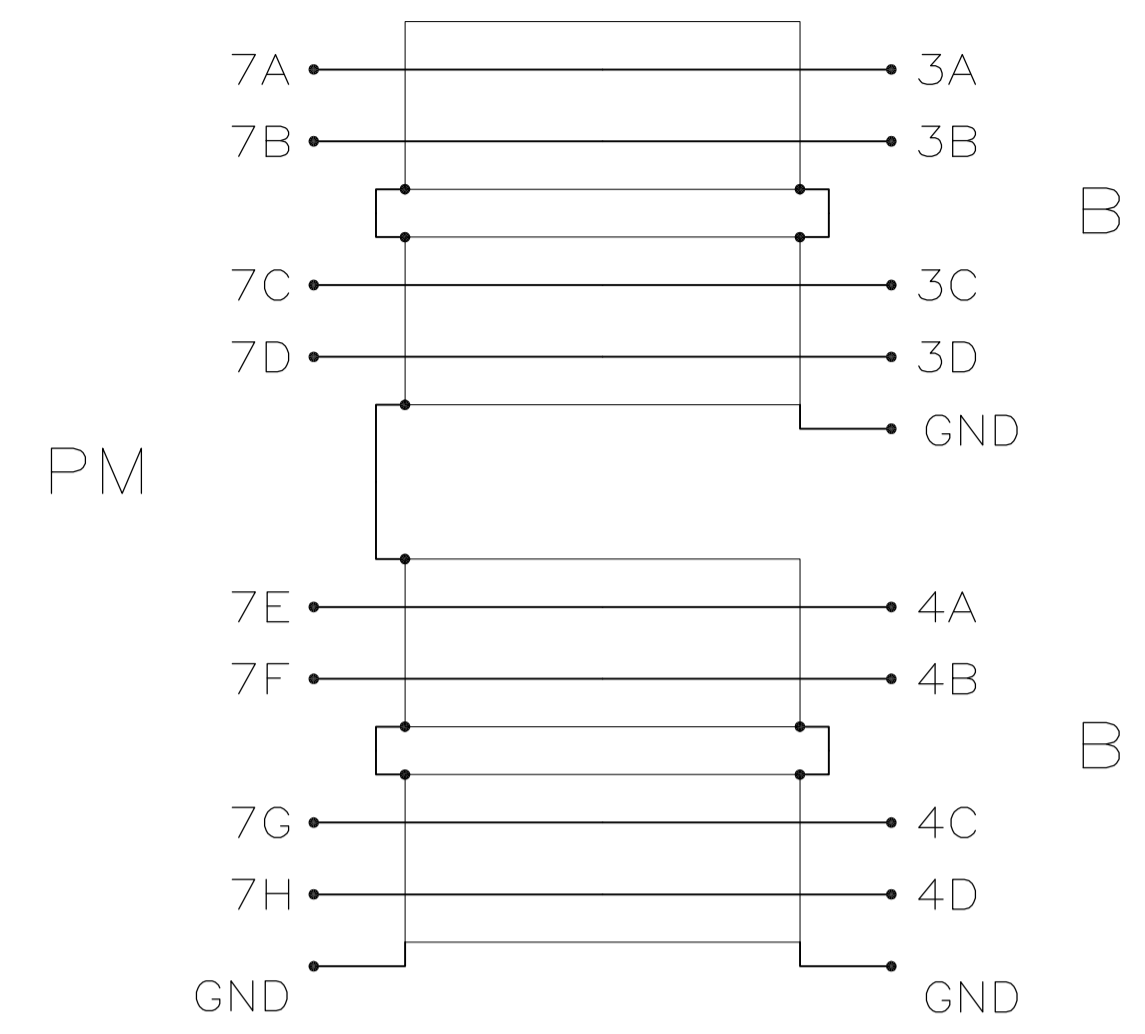
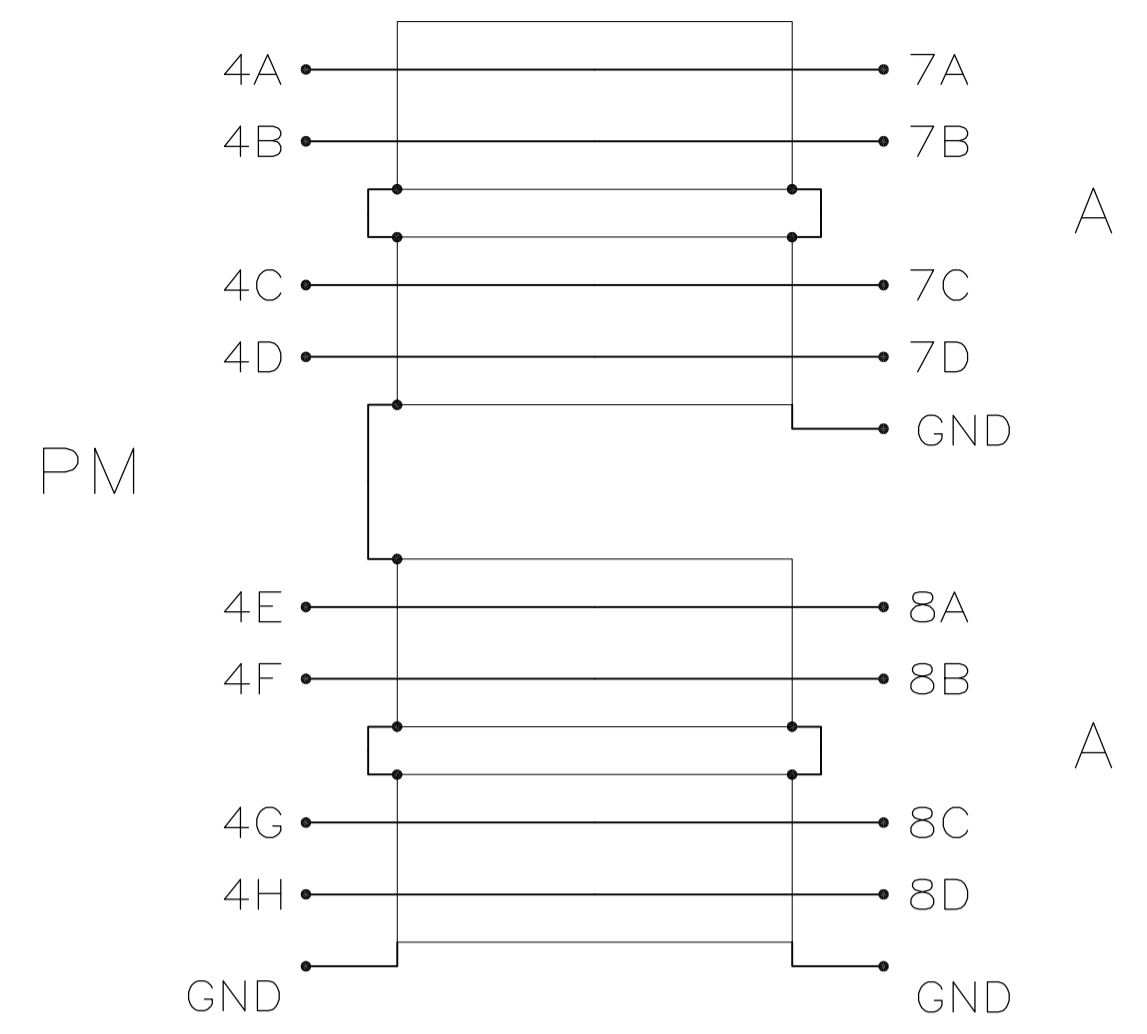
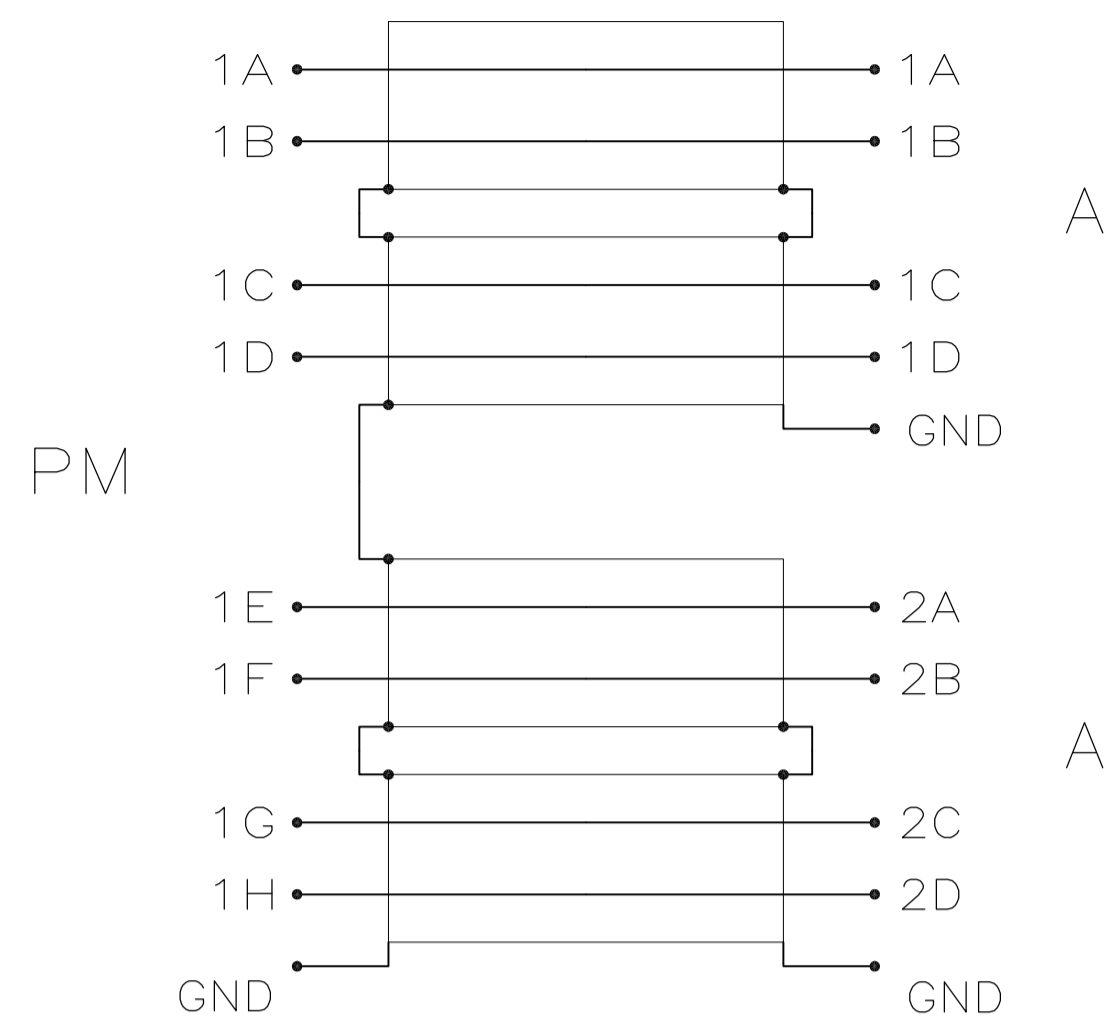


- PRODUCT AND PROCESSING MUST MEET REQUIREMENTS OF TE CONNECTIVITY STANDARD TEC-138-702.
 - CABLE ASSEMBLY IS TESTED FOR OPENS AND SHORTS, HI-POT: @ 300 VDC, 50 Mohms, 100 MSEC.
 - CABLE ASSEMBLY IS FLEXED 90° DURING CONTINUITY TESTING.
- △ 4 LABEL INFORMATION:
- | | |
|-------------------|-------------------------------|
| 2053753-[] | TE CONNECTIVITY P/N |
| 5440003-xxx-00 | SEE TABLE FOR CUSTOMER DASH # |
| DATE CODE | |
| COUNTRY OF ORIGIN | |
- △ 5 SEE TABLE FOR PM LABEL INFORMATION.
- △ 6 SEE TABLE FOR P[A] AND P[B] INFORMATION.
- △ 7 SEE TABLE FOR COLOR BAND.

CUSTOMER DASH NO.	COLOR BAND	LABEL P[B]	LABEL P[A]	LABEL PM	"L" INCHES	TE P/N
-316	GRY/BLK/GRY	P16B	P16A	PM16	77.00	1-2053753-6
-315	PUR/BLK/PUR	P15B	P15A	PM15	74.00	1-2053753-5
-314	BLU/BLK/BLU	P14B	P14A	PM14	72.00	1-2053753-4
-313	GRN/BLK/GRN	P13B	P13A	PM13	69.00	1-2053753-3
-312	YEL/BLK/YEL	P12B	P12A	PM12	67.00	1-2053753-2
-311	ORG/BLK/ORG	P11B	P11A	PM11	66.00	1-2053753-1
-300	RED/BLK/RED	P10B	P10A	PM10	64.00	1-2053753-0
-309	WHITE	P9B	P9A	PM9	63.00	2053753-9
-308	GRAY	P8B	P8A	PM8	61.00	2053753-8
-307	PURPLE	P7B	P7A	PM7	60.00	2053753-7
-306	BLUE	P6B	P6A	PM6	58.00	2053753-6
-305	GREEN	P5B	P5A	PM5	56.00	2053753-5
-304	YELLOW	P4B	P4A	PM4	54.00	2053753-4
-303	ORANGE	P3B	P3A	PM3	52.00	2053753-3
-302	RED	P2B	P2A	PM2	50.00	2053753-2
-301	BLACK	P1B	P1A	PM1	48.00	2053753-1

THIS DRAWING IS A CONTROLLED DOCUMENT.

DIMENSIONS: INCHES	TOLERANCES UNLESS OTHERWISE SPECIFIED:	APVD: C. ADAMS 18/NOV/10	NAME: CABLE ASSY, HM-ZD, 4PR X 10, PANEL MT TO (2) 2PR X 10, KIT
0 PLC ± .01	1 PLC ± .005	DATE: 09/NOV/10	SIZE: A1
2 PLC ± .005	3 PLC ± .005	APPROVAL: C. ADAMS	CAGE CODE: 00779
4 PLC ± .005	ANGLES ± .01	PRODUCT SPEC	DRAWING NO: 2053753
MATERIAL: -	FINISH: -	WEIGHT: -	RESTRICTED TO: -
CUSTOMER DRAWING		SCALE: N.T.S.	SHEET 1 OF 2 REV B



WIRING PATTERN

THIS DRAWING IS A CONTROLLED DOCUMENT.		DIN E.C. CLAYBAUGH 01/NOV/10		TE Connectivity	
DIMENSIONS: INCHES		TOLERANCES UNLESS OTHERWISE SPECIFIED:			
		0. PLC	± .01	APVD C. ADAMS 18/NOV/10	
		1. PLC	± .02	NAME CABLE ASSY, HM-ZD, 4PR X 10, PANEL MT TO (2) 2PR X 10, KIT	
		2. PLC	± .03	APPLICATION SPEC	
		3. PLC	± .04	SIZE A1	
MATERIAL		FINISH		WEIGHT	
				SCALE 1:1 SHEET 2 OF 2 REV B	