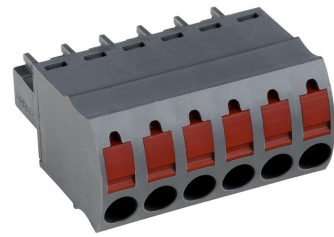


AK4551/..KD-3.5-BASALT GREY



Technical Data

Wire Sizes		Insulating Material	
Solid min	0.14 mm ²	Material	PA 6.6
solid max	2.5 mm ²	Flammability Class	UL 94 V-0
Stranded (flexible)	0.14 mm ²	Temperatures	
min		Operating Temperature	-30 °C - 105 °C
Stranded (flexible)	1.5 mm ²	Wave Soldering Process	
max		Soldering Temperature,	- recommended
Stranded with Ferrule	0.25 mm ²	Peak Soldering Time,	- recommended
min		Reflow Process	
Stranded with Ferrule	1.0 mm ²	Soldering Temperature,	- recommended
max		Peak Soldering Time,	- recommended
Dimensions			
Stripped Length	11.0 mm		
Materials			
Contact Spring	Copper Alloy		
Clamp Spring	Stainless Steel		

Colours

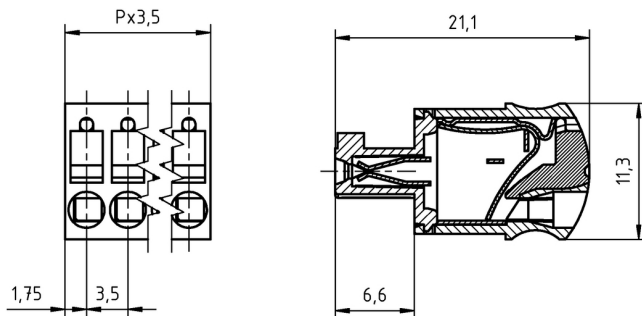
	BASALT GREY, RAL7012
	GREEN, RAL6018
	LIGHT GREEN, similar RAL 6018

Colours according to RAL, there may be variations on colour due to production conditions.
Special colours on request.

Counterparts (Spacing 3.5 mm)

Pin Strip/Terminal Blocks
STL1550

If there are combinations with different ratings, the lower value is valid.



Order Data (Spacing 3.5 mm)

Poles	Width (mm)	Article Designation	Article Number	PU
2	7.00	AK4551/2KD-3.5-BASALT GREY	54551020401F	200
3	10.50	AK4551/3KD-3.5-BASALT GREY	54551030401F	200
4	14.00	AK4551/4KD-3.5-BASALT GREY	54551040401F	200
5	17.50	AK4551/5KD-3.5-BASALT GREY	54551050401F	200
6	21.00	AK4551/6KD-3.5-BASALT GREY	54551060401E	100
7	24.50	AK4551/7KD-3.5-BASALT GREY	54551070401E	100
8	28.00	AK4551/8KD-3.5-BASALT GREY	54551080401D	50
9	31.50	AK4551/9KD-3.5-BASALT GREY	54551090401D	50
10	35.00	AK4551/10KD-3.5-BASALT GREY	54551100401D	50
11	38.50	AK4551/11KD-3.5-BASALT GREY	54551110401D	50
12	42.00	AK4551/12KD-3.5-BASALT GREY	54551120401D	50
13	45.50	AK4551/13KD-3.5-BASALT GREY	54551130401D	50
14	49.00	AK4551/14KD-3.5-BASALT GREY	54551140401D	50
15	52.50	AK4551/15KD-3.5-BASALT GREY	54551150401D	50
16	56.00	AK4551/16KD-3.5-BASALT GREY	54551160401D	50
17	59.50	AK4551/17KD-3.5-BASALT GREY	54551170401D	50
18	63.00	AK4551/18KD-3.5-BASALT GREY	54551180401D	50
19	66.50	AK4551/19KD-3.5-BASALT GREY	54551190401D	50
20	70.00	AK4551/20KD-3.5-BASALT GREY	54551200401D	50

Accessories

Figure	Designation	Article Number
	Series AK(Z)4551 with pull reliefs	on request

Ratings



Usegroup	B	C	D		
Rated Voltage	300 V	-	300 V	160 V	
Rated Current	10 A	-	10 A	10 A	
Overtoltage Category				III	
Rated Wire Size			min		max
	solid	AWG 26-16	-	AWG 26-16	0.14 mm ² (3 A) 2.5 mm ² (10 A)
	stranded	AWG 26-16	-	AWG 26-16	0.14 mm ² (3 A) 1.5 mm ² (10 A)
Test Voltage	1.6 kV		-	1.6 kV	2.5 kV
Pollution Degree	3				