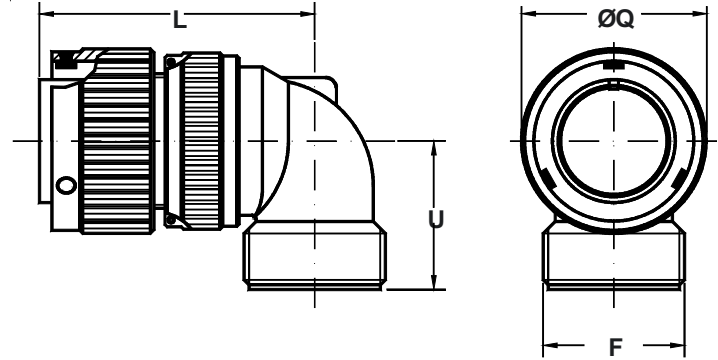
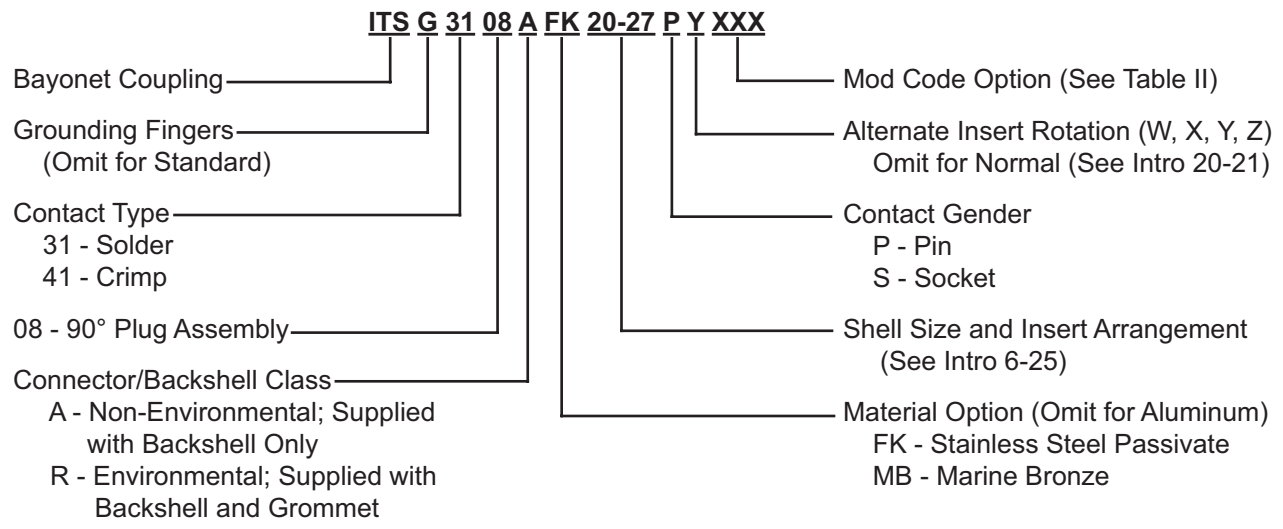
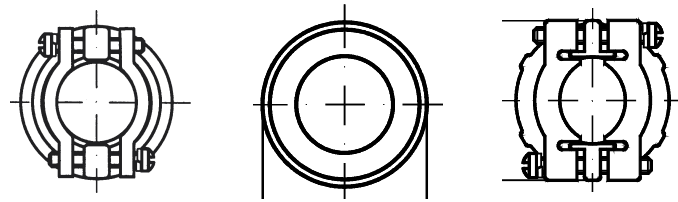


**ITS 3108 (A) and ITS 3108 (R)
ITS 4108 (A) and ITS 4108 (R)
Cylindrical Plug Assembly with 90° Backshell**



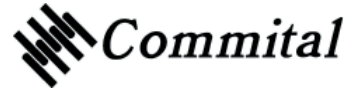
Order Cable Clamps and Sleeves Separately or Use Mod Codes (Table II) to Add Clamp to This Assembly.



IT 3057 C Cable Clamp IT 3420 Neoprene Sleeve IT 3057 A Cable Clamp

Application Notes:

1. 90° plug assembly with backshell for the attachment of strain relief cable clamps.
2. Connector/Backshell Class "A" (non-environmental)—not supplied with grommet; Class "R" (environmental)—supplied with grommet.
3. Standard materials configuration consists of aluminum alloy with cadmium olive drab finish.
4. Standard contact material consists of copper alloy with silver plating (Gold plating available, see mod codes).
5. A broad range of other front and rear connector accessories are available. See our website and/or contact the factory for complete information.
6. Standard insert material is synthetic rubber. Add "FR" prefix to front of part number to specify fire resistant inserts



**ITS 3108 (A) and ITS 3108 (R)
ITS 4108 (A) and ITS 4108 (R)
Cylindrical Plug Assembly with 90° Backshell**



TABLE I: DIMENSIONS

Shell Size	F Thread	L Max.	ØQ ±0.2	U ±0.2
10 SL	0.6250 - 24UNEF	40	22.6	25.0
14 S	0.7500 - 20UNEF	42	29.0	26.5
16 S	0.8750 - 20UNEF	46	31.6	27.0
16	0.8750 - 20UNEF	55	31.6	27.0
18	1.0000 - 20UNEF	57	36.2	30.0
20	1.1875 - 18UNEF	62	39.8	32.0
22	1.1875 - 18UNEF	62	43.0	32.0
24	1.4375 - 18UNEF	67	46.4	37.0
28	1.4375 - 18UNEF	67	53.0	38.0
32	1.7500 - 18UNS	72	60.0	45.5
36	2.0000 - 18UNS	75	66.2	47.2
40	2.2500 - 16UN	78	72.3	52.0

TABLE II: MODIFICATION CODES

CONTACT OPTIONS		ACCESSORY OPTIONS	
Sym	Description		
B0	Connector Less Contacts	N0	Connector less backshell
B1	Connector with Gold Plated Contacts	N1	Connector with IT 3057 A cable clamp
Omit for Standard Version (Silver Plated)		N2	Connector with long backshell
FINISH OPTIONS		N5	Connector with IT 3057 C cable clamp
		N12	Connector with IT 3057 A cable clamp and IT 3420 neoprene sleeve
Omit for Standard Version (Cad/Olive Drab)		Omit for standard version	
Sym	Description		
F2	Bright Nickel Plating		
F6	Black Electrodeposited Paint		
F7	Black Zn-Co Plating		
F8	Olive Drab Zn-Co Plating		
Omit for Standard Version (Cad/Olive Drab)			

