

- Single-phase and three-phase full voltage starters
- Solid-state overload relay
- Non-combination type without enclosure
- UL listed file #E14900
- CSA certified file #LR6535

Open Type, 3-Phase, 3-Pole

Max Hp Rating				NEMA Size (1/2 Size)	Overload Relay Amp Range	Catalog Number
Motor Voltage						
200	230	460	575			
1/6	1/6	1/3	1/2	00	0.25-1	14BUA32A*
1/2	3/4	1 1/2	2	00	0.75-3.4	14BUB32A*
1 1/2	1 1/2	2	—	00	3-12	14BUC32A*
1/6	1/6	1/3	1/2	0	0.25-1	14CUA32A*
1/2	3/4	1 1/2	2	0	0.75-3.4	14CUB32A*
2	2	5	5	0	3-12	14CUC32A*
3	3	—	—	0	5.5-22	14CUD32A*
1/6	1/6	1/3	1/2	1	0.25-1	14DUA32A*
1/2	3/4	1 1/2	2	1	0.75-3.4	14DUB32A*
2	2	5	5	1	3-12	14DUC32A*
3	3	10	10	1	5.5-22	14DUD32A*
7 1/2	7 1/2	—	—	1	10-40	14DUE32A*
10	10	15	15	(1 3/4)	10-40	14EUE32A*
10	15	25	25	2	13-52	14FUF32A*
15	20	30	30	(2 1/2)	25-100	14GUG32A*
25	30	50	50	3	25-100	14HUG32A*
30	40	75	75	(3 1/2)	50-200	14IUH32A*
40	50	100	100	4	50-200	14JUH32A*
75	100	200	200	5 [A]	55-250	14LPU32A*
150	200	400	400	6 [A]	160-630	14MPX32A*
—	300	600	600	7 [A,B]	400-1220	14NUN32A*
—	450	900	900	8 [A,C]	400-1220	14PUN32A*

Accessories

Description	Catalog No.
Start, Stop Push Buttons	49SAPB5
Hand-Off-Auto Selector Switch	49SASB1
Off-On Selector Switch	49SASB4
1 NO Aux Contact for Starter Sizes 00 - 4	49AB10
1 NC Aux Contact for Starter Sizes 00 - 4	49AB01
1 NO & 1 NC Aux Contact for Starter Sizes 00 - 4	49AB11

Open Type, Single Phase, 2-Pole [D]

Max Hp Rating		NEMA Size (1/2 Size)	Overload Relay Amp Range	Catalog Number
Motor Voltage				
115	208 / 230			
1/8	1/4	0	0.75-3.4	14CUB12A*
1/4	1/2	0	3-12	14CUC12A*
1	2	0	5.5-22	14CUD12A*
1/8	1/4	1	0.75-3.4	14DUB12A*
1/4	1/2	1	3-12	14DUC12A*
1	2	1	5.5-22	14DUD12A*

Replace the (*) with a letter from the coil table. Dual voltage coils are wired on high voltage unless specified on order.

[A] Dual voltage coils not available in size 5 - 8 starters.

[B] Available with only F and H coils.

[C] Available with only F coil.

[D] Coils E, H and L not available in single phase starters.

Coil Table

60Hz Voltage	Letter
24 Separate Control	J
120 Separate Control	F
110-120/220-240	A
200-208	D
220-240	G
277	L
220-240/440-480	C
440-480	H
575-600	E

Figure 1

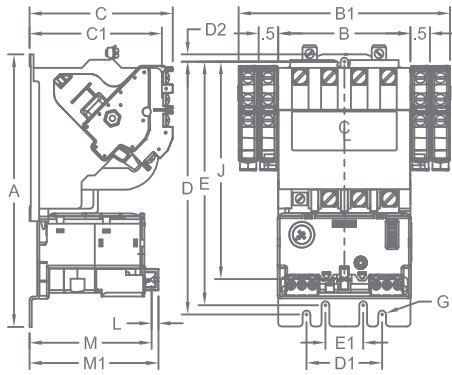


Figure 2

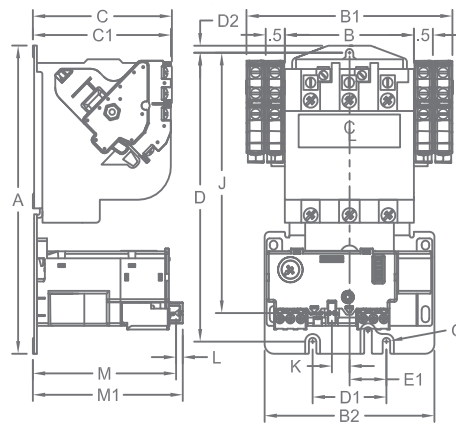


Figure 3

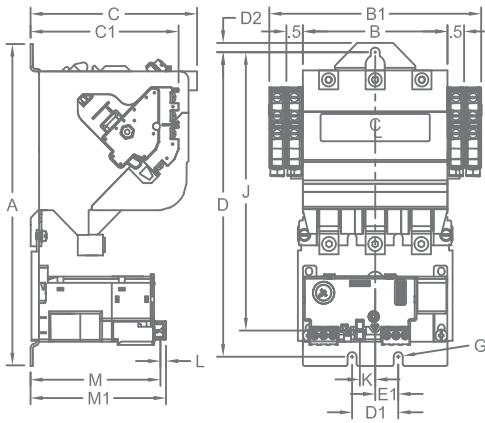


Figure 4

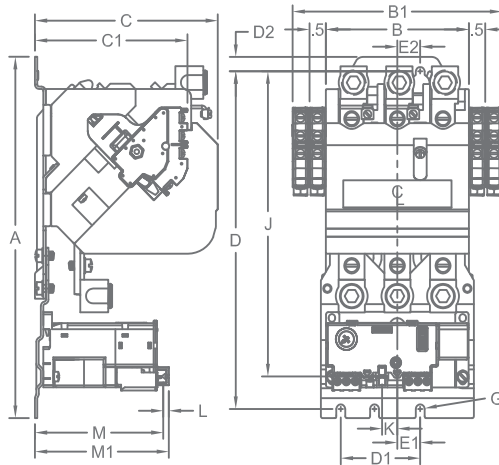
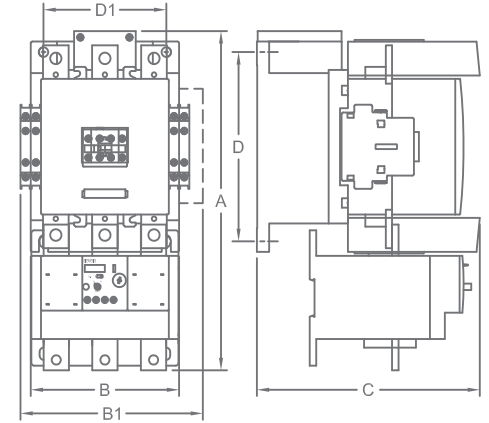


Figure 5



Dimensions

Size	Fig.	Outline Dimensions						Mounting Dimensions						Reset Dimensions					
		A	B	B1	B2	C	C1	D	D1	D2	E	E1	E2	G [1]	J	K	L	M	M1
00-1 3/4	1	7.44	3.50	5.75		3.75	3.50	6.50	2.00	0.19	6.27	1.00	—	#10	5.60		0.18	3.23	3.41
2-2 1/2	2	8.13	3.50	5.75	4.60	4.00	3.77	7.62	2.00	0.19	—	1.00	—	#10	6.87	0.48	0.18	3.88	4.06
3-3 1/2	3	9.78	4.50	6.75	—	5.19	4.66	9.22	1.44	0.28	—	0.72	—	0.25	8.43	0.48	0.18	4.04	4.22
4	4	11.06	4.50	6.75	—	5.75	4.66	10.34	1.44	0.44	—	0.72	0.72	0.25	9.35	0.48	0.18	4.04	4.22
5	5	12.76	5.71	6.89	—	8.54	—	7.09	4.72	—	—	—	—	0.35	—	—	—	—	—
6	5	13.03	6.30	7.48	—	9.29	—	7.09	5.12	—	—	—	—	0.35	—	—	—	—	—

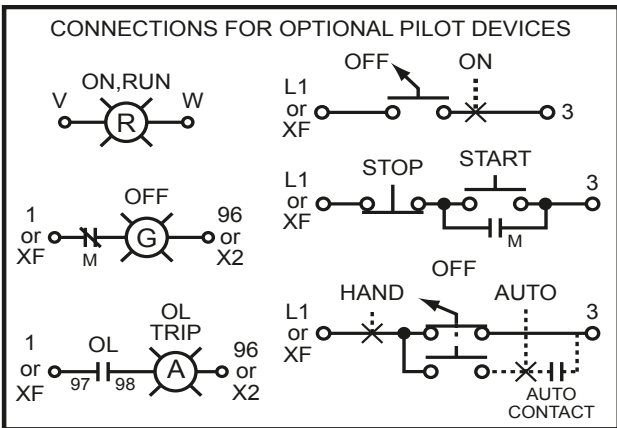
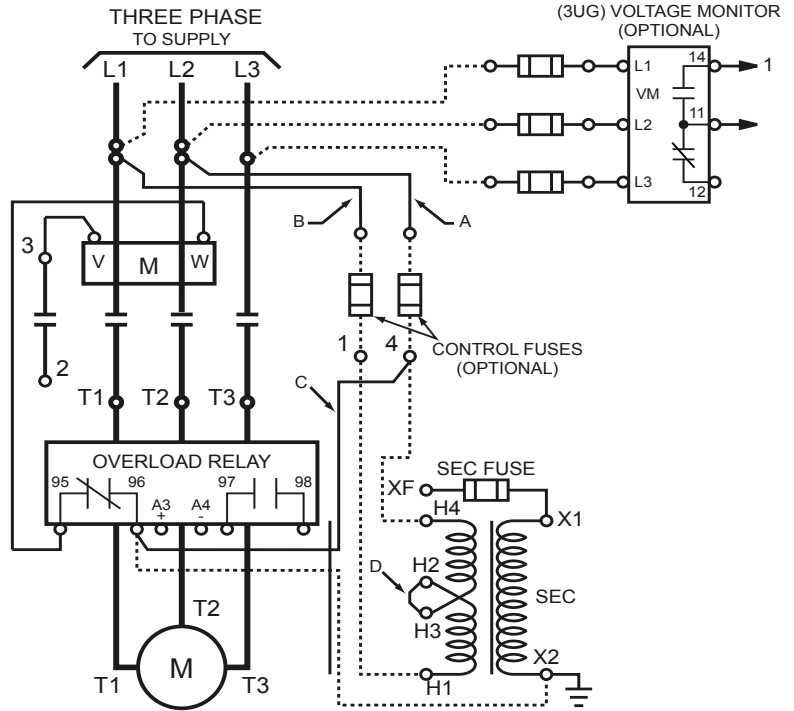
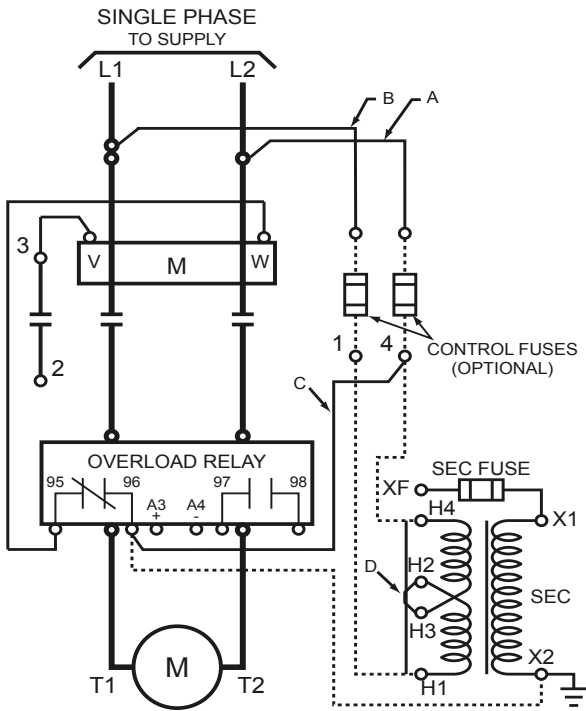
[1] G designates mounting screw size.
Dimensions are in inches.

Short Circuit Current Ratings
Fuses

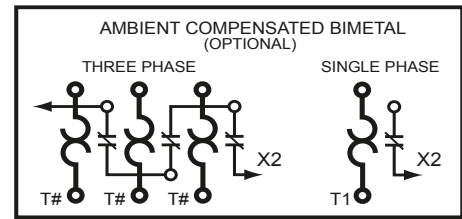
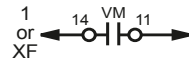
Size	600V Max	600V Max
00 - 4	10kA (Class H or K)	100kA (Class R or J)
5	14kA (Class H or K)	100kA (Class R or J)
6	18kA (Class H or K)	100kA (Class R or J)
7	NA	82kA (Class R or L)
8	NA	85kA (Class R or L)

Thermal Magnetic Circuit Breaker

Size	240V Max	600V Max
00 - 3	14kA	10kA
3 1/2 - 4	10kA	10kA
5	14kA	14kA
6	18kA	18kA
7 & 8	NA	NA



VOLTAGE MONITOR CONTACT IS TO PRECEDE CONTROL DEVICE CONNECTIONS. IF NO C.P.T. IS USED, LINE VOLTAGE IS NOT TO EXCEED 300VAC.



NOTES:

- 1) TRANSFORMER CONNECTIONS SHOWN ARE FOR HIGHER PRIMARY VOLTAGE. FOR LOWER VOLTAGE, REMOVE JUMPER "D" AND CONNECT "H1" TO "H3" AND "H2" TO "H4" ON TRANSFORMER. FOR CONNECTIONS OTHER THAN SHOWN, SEE TRANSFORMER NAMEPLATE.
- 2) FOR SEPARATE CONTROL VOLTAGE SOURCE, REMOVE JUMPERS "A" AND "B" AND CONNECT SOURCE TO CONTROL FUSE LINE TERMINALS.
- 3) WHEN FIELD ADDING A TRANSFORMER OR CHANGING TO A SEPERATE SOURCE, CHECK COIL VOLTAGE FOR COMPATIBILITY AND CHANGE COIL OR RECONNECT JUMPER IF NECESSARY.
- 4) REMOVE JUMPER "C" IF CONTROL TRANSFORMER IS USED.

