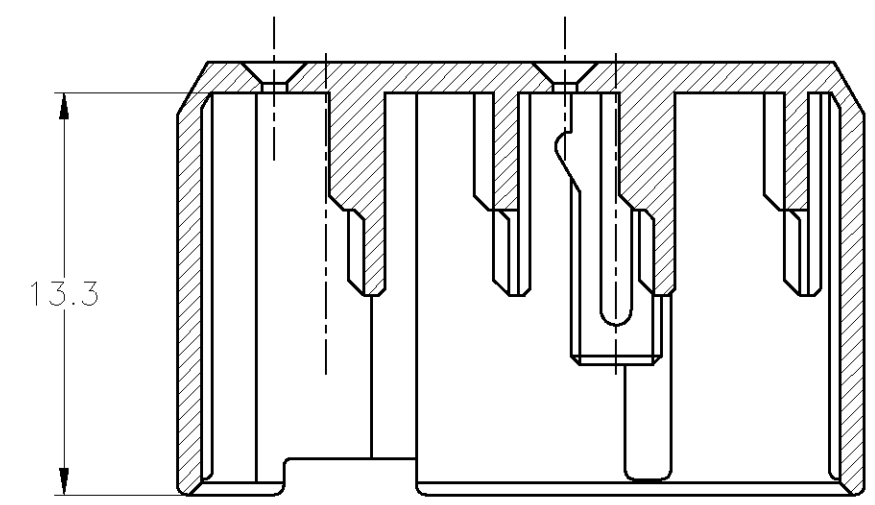
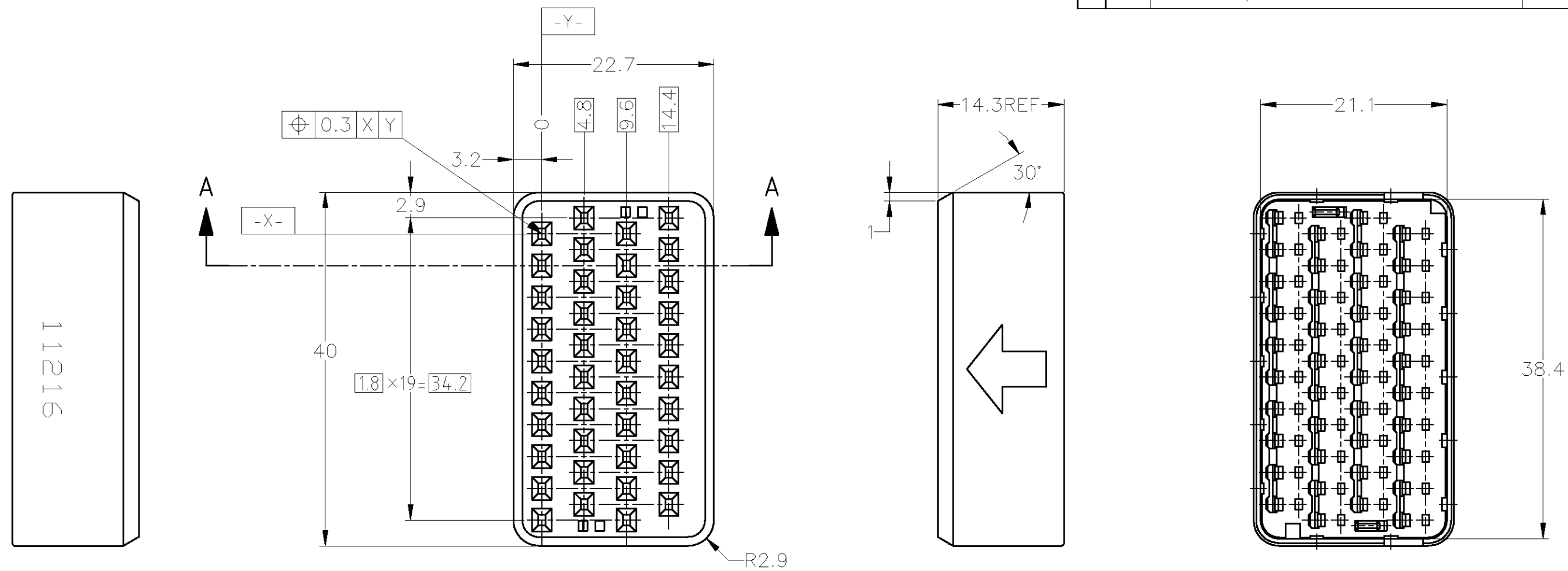


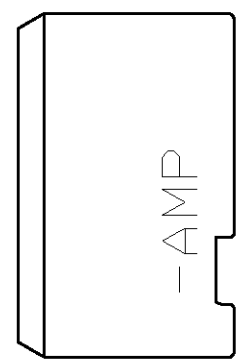
THIS DRAWING IS UNPUBLISHED. RELEASED FOR PUBLICATION  
 © COPYRIGHT - By Tyco Electronics Japan G.K. ALL RIGHTS RESERVED.

LOC	DIST	REVISIONS						
		P	LTR	DESCRIPTION	DATE	DWN	APVD	
J	-	01		REDRAWN W/CHANGE	ECR-11-020190	04OCT11	TS	KB



A-A  
SCALE 4:1

TOLERANCES UNLESS OTHERWISE SPECIFIED:	
10 ≥	: ±0.2
30 ≥	> 10: ±0.25
100 ≥	> 30: ±0.3
ANGLE: ±3°	



1. INSERT DBL LOCK PLATE IN PLUG HOUSING.  
(PN; 178409, 178411)
1. 本品はプラグハウジング型番178409, 178411に装着される。

YELLOW	178413-7
COLOR	PART NUMBER

THIS DRAWING IS A CONTROLLED DOCUMENT.		DWN T.SHINOHARA 04OCT11	<b>STE</b> TE Connectivity		
DIMENSIONS: mm		CHK K.BETSUI 04OCT11			
TOLERANCES UNLESS OTHERWISE SPECIFIED:		APVD K.BETSUI 04OCT11	NAME 040 SERIES SEALED PAIR MATE CONNECTOR DOUBLE LOCK PLATE		
0 PLC ± -		PRODUCT SPEC 108-5365	SIZE		
1 PLC ± -		APPLICATION SPEC	CAGE CODE A300779		
2 PLC ± -		WEIGHT 3.8 g	DRAWING NO C-178413		
3 PLC ± -		CUSTOMER DRAWING	RESTRICTED TO		
4 PLC ± -			SCALE 2:1		
ANGLES ± -			SHEET 1 OF 1		
FINISH -			REV 01		
MATERIAL PBT					