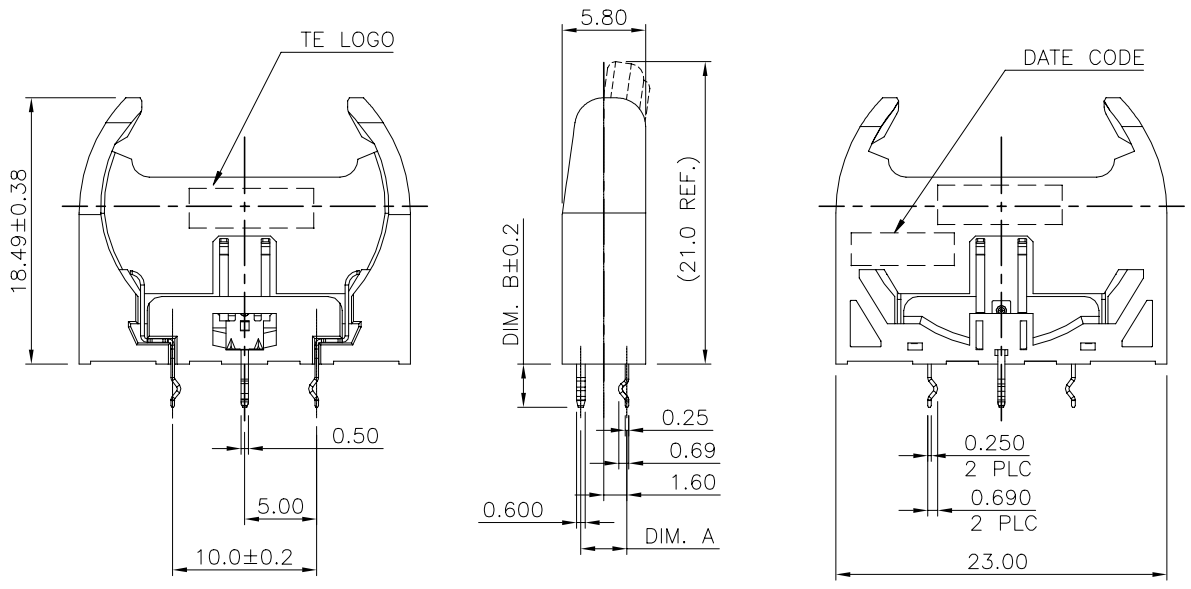
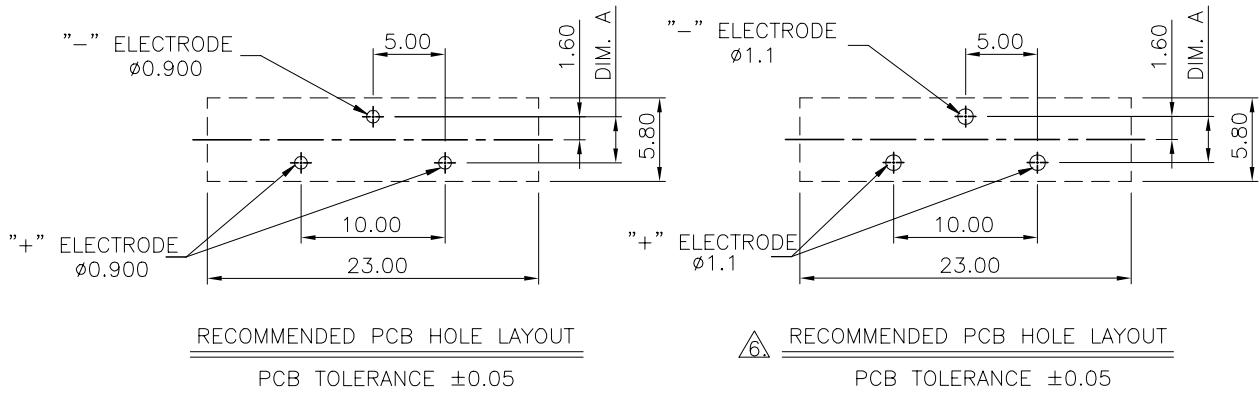
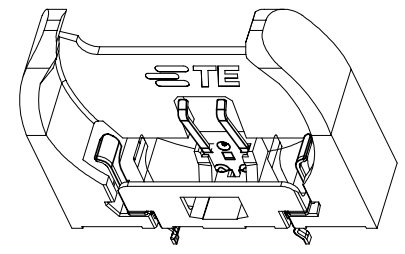


| LOC | DIST | REVISIONS | | | |
|-----|------|---------------------------|---------|-----|------|
| P | LTR | DESCRIPTION | DATE | DWN | APVD |
| | B1 | REVISED PER ECO-19-018013 | 10MAR20 | K.G | W.H |



- NOTES :
- MATERIAL :
 - HOUSING: MATERIAL AND COLOR: SEE TABLE, UL94 V-0
 - CONTACT: STAINLESS STEEL
 - FINISH :
 - CONTACT
 - GOLD FLASH PLATING ON CONTACT AREA, 2.54um [100u"] MIN. MATTE-TIN PLATING ON SOLDERING AREA.
 - 0.76um [30u"] MIN. NICKEL UNDERPLATING OVERALL.
 - WAVE SOLDER CAPABLE TO 265°C PER TE SPEC. 109-202, CONDITION B.
 - RECOMMENDED PCB THICKNESS: 1.6mm
 - SUITABLE FOR BATTERY NO.: CR2032.
- ⚠️ LOW PCB RETENTION FORCE.



| | | | |
|--------|--------|------------------------|-------------|
| 3.0 mm | 3.2 mm | PA-66 & BLACK | 2-1775485-4 |
| 3.6 mm | 3.6 mm | PA-66 & BLACK | 2-1775485-1 |
| 3.0 mm | 3.2 mm | PA-66 & 2718C BLUE | 1-1775485-2 |
| | | PA-66 & BLACK | 1-1775485-1 |
| 3.0 mm | 3.6 mm | PA-66 & 2718C BLUE | 1775485-2 |
| | | PA-66 & BLACK | 1775485-1 |
| DIM B | DIM A | HOUSING MATERIAL&COLOR | PART NO. |

THIS DRAWING IS A CONTROLLED DOCUMENT.

| | | | |
|-------------------|--|---------------------------|--|
| DIMENSIONS: MM | TOLERANCES UNLESS OTHERWISE SPECIFIED: | DWN S. CHIEN 03JUN2008 | TE Connectivity BATTERY HOLDER, H=18.5mm, V/T |
| | 0 PLC ± - | CHK S. CHIEN 03JUN2008 | |
| | 1 PLC ± 0.38 | APVD W. KODAMA 03JUN2008 | |
| | 2 PLC ± 0.25 | NAME | |
| | 3 PLC ± 0.15 | PRODUCT SPEC | 108-57542 |
| | 4 PLC ± - | QUALIFICATION TEST REPORT | 501-57624 |
| | ANGLES ± 2' | WEIGHT | 1.19 GRAMS |
| MATERIAL SEE NOTE | FINISH SEE NOTE | CUSTOMER DRAWING | SIZE A3 CAGE CODE 00779 C=1775485 SCALE - SHEET 1 OF 4 REV B1 |

THIS DRAWING IS UNPUBLISHED.

RELEASED FOR PUBLICATION

AUG ,2006.

© COPYRIGHT BY TYCO ELECTRONICS CORPORATION.

ALL RIGHTS RESERVED.

LOC DW

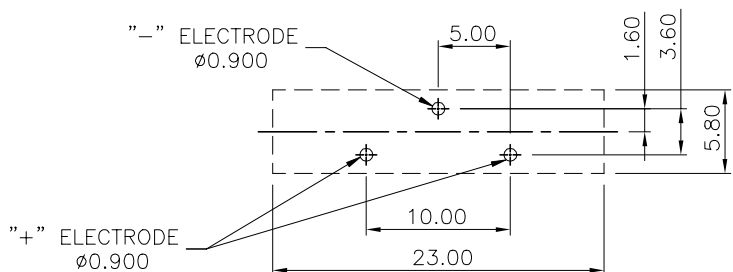
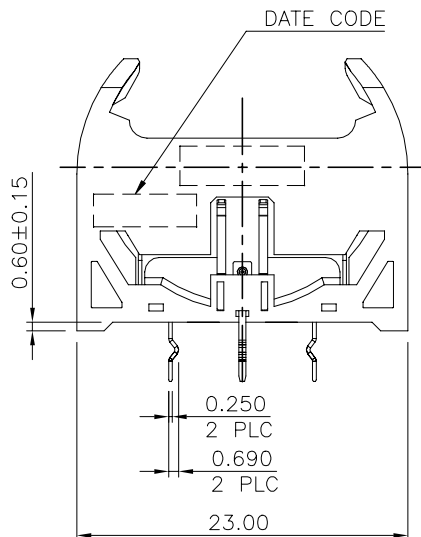
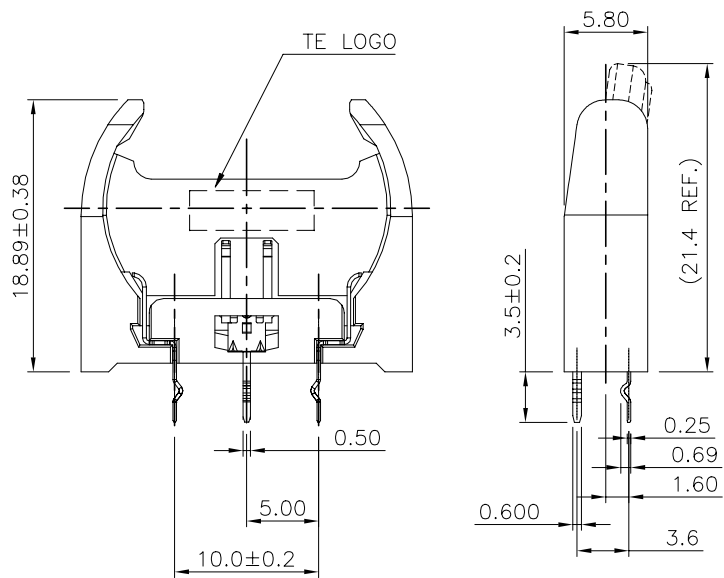
DIST

REVISIONS

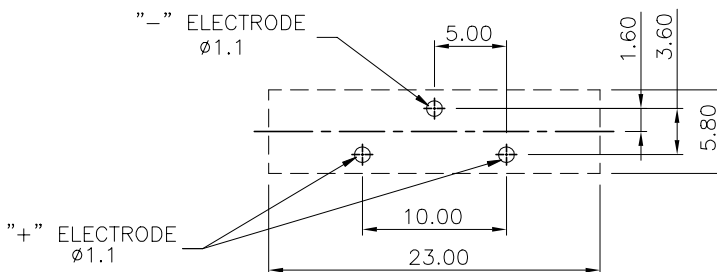
| P | LTR | DESCRIPTION | DATE | DWN | APVD |
|---|-----|--------------|------|-----|------|
| | | SEE SHEET 1. | | | |

NOTES :

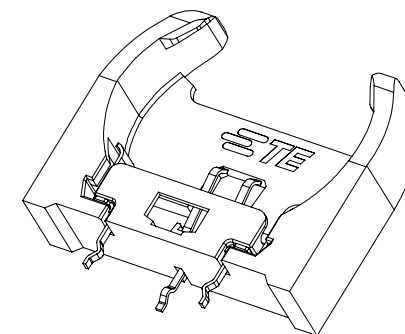
- MATERIAL :
 - HOUSING: UL94 V-0, PA SERIES COLOR: SEE TABLE
 - CONTACT: STAINLESS STEEL
 - FINISH :
 - CONTACT
 - GOLD FLASH PLATING ON CONTACT AREA, 2.54um [100u"] MIN. MATTE-TIN PLATING ON SOLDERING AREA. 0.76um [30u"] MIN. NICKEL UNDERPLATING OVERALL.
 - WAVE SOLDER CAPABLE TO 265°C PER TE SPEC. 109-202, CONDITION B.
 - RECOMMENDED PCB THICKNESS: 1.6mm
 - SUITABLE FOR BATTERY NO.: CR2032.
- ⚠️ LOW PCB RETENTION FORCE.



RECOMMENDED PCB HOLE LAYOUT
PCB TOLERANCE ±0.05



RECOMMENDED PCB HOLE LAYOUT
PCB TOLERANCE ±0.05



1775485-3 AS SHOWN
(0.60mm Height Standoff)

| | |
|---------------|-----------|
| PA66 & BLACK | 1775485-3 |
| HOUSING COLOR | PART NO. |

| | | | | | | | | | | | | | | | | |
|--|--------|--|-------------------------|--------------------|--------|-------|--------|-------|--------|-------|-----|--------|------|---------------------------|------------------------------|--|
| THIS DRAWING IS A CONTROLLED DOCUMENT. | | DWN S. CHIEN 03JUN2008 | TE Connectivity | | | | | | | | | | | | | |
| DIMENSIONS: MM | | CHK S. CHIEN 03JUN2008 | | | | | | | | | | | | | | |
| TOLERANCES UNLESS OTHERWISE SPECIFIED: | | APVD W. KODAMA 03JUN2008 | NAME | | | | | | | | | | | | | |
| <table border="1"> <tr><td>0 PLC</td><td>± -</td></tr> <tr><td>1 PLC</td><td>± 0.38</td></tr> <tr><td>2 PLC</td><td>± 0.25</td></tr> <tr><td>3 PLC</td><td>± 0.15</td></tr> <tr><td>4 PLC</td><td>± -</td></tr> <tr><td>ANGLES</td><td>± 2'</td></tr> </table> | | 0 PLC | ± - | 1 PLC | ± 0.38 | 2 PLC | ± 0.25 | 3 PLC | ± 0.15 | 4 PLC | ± - | ANGLES | ± 2' | PRODUCT SPEC 108-57542 | BATTERY HOLDER, H=18.9mm V/T | |
| 0 PLC | ± - | | | | | | | | | | | | | | | |
| 1 PLC | ± 0.38 | | | | | | | | | | | | | | | |
| 2 PLC | ± 0.25 | | | | | | | | | | | | | | | |
| 3 PLC | ± 0.15 | | | | | | | | | | | | | | | |
| 4 PLC | ± - | | | | | | | | | | | | | | | |
| ANGLES | ± 2' | | | | | | | | | | | | | | | |
| MATERIAL SEE NOTE | | QUALIFICATION TEST REPORT 501-57624 | SIZE A3 | CAGE CODE 00779 | | | | | | | | | | | | |
| FINISH SEE NOTE | | WEIGHT 1.19 GRAMS | DRAWING NO C=1775485 | RESTRICTED TO | | | | | | | | | | | | |
| CUSTOMER DRAWING | | | SCALE - | SHEET 2 OF 4 | | | | | | | | | | | | |
| | | | REV B1 | | | | | | | | | | | | | |

THIS DRAWING IS UNPUBLISHED.

RELEASED FOR PUBLICATION

AUG ,2006.

© COPYRIGHT - BY TYCO ELECTRONICS CORPORATION.

ALL RIGHTS RESERVED.

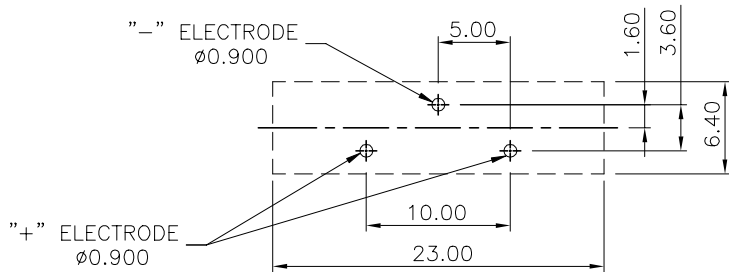
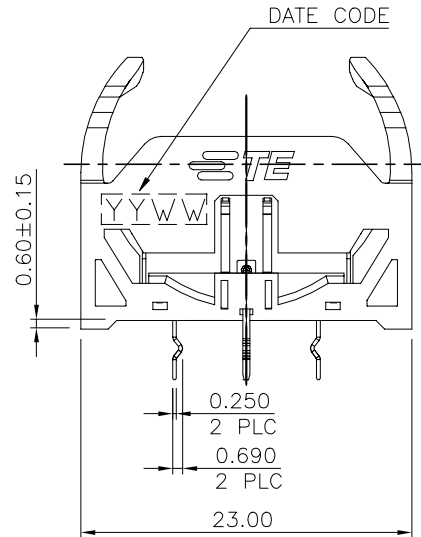
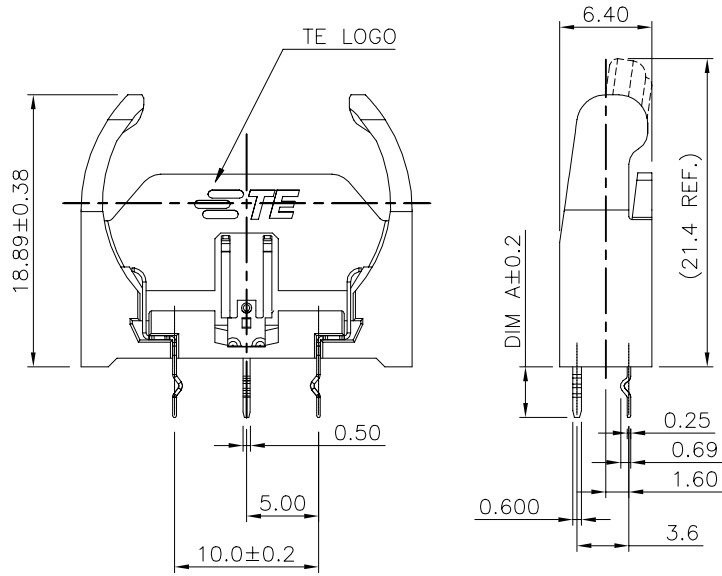
LOC DW DIST

REVISIONS

| P | LTR | DESCRIPTION | DATE | DWN | APVD |
|---|-----|--------------|------|-----|------|
| | | SEE SHEET 1. | | | |

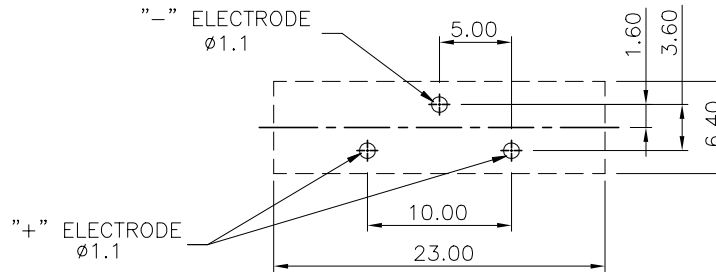
NOTES :

- MATERIAL :
 - HOUSING: UL94 V-0, PA SERIES COLOR: SEE TABLE
 - CONTACT: STAINLESS STEEL
- FINISH :
 - CONTACT
 - GOLD FLASH PLATING ON CONTACT AREA, 2.54um [100u"] MIN. MATTE-TIN PLATING ON SOLDERING AREA.
 - 0.76um [30u"] MIN. NICKEL UNDERPLATING OVERALL.
- WAVE SOLDER CAPABLE TO 265°C PER TE SPEC. 109-202, CONDITION B.
- RECOMMENDED PCB THICKNESS: 1.6mm
- SUITABLE FOR BATTERY NO.: CR2032.
- △ LOW PCB RETENTION FORCE.
- 3-1775485-2 AND 4-1775485-2 ARE PRELIMINARY PART



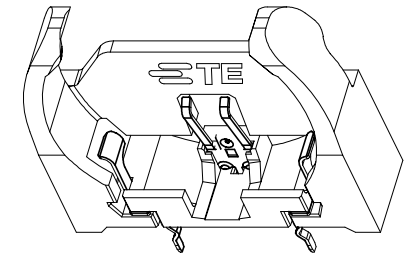
RECOMMENDED PCB HOLE LAYOUT

PCB TOLERANCE ±0.05



△ RECOMMENDED PCB HOLE LAYOUT

PCB TOLERANCE ±0.05



| | | |
|-------|---------------------|-------------|
| 3.50 | PA10T HF&2718C BLUE | 2-1775485-2 |
| DIM A | HOUSING COLOR | PART NO. |

| | | | | |
|--|--|---------------------------|------------------------------|--|
| THIS DRAWING IS A CONTROLLED DOCUMENT. | | DWN S. CHIEN 03JUN2008 | STE TE Connectivity | |
| | | CHK S. CHIEN 03JUN2008 | | |
| DIMENSIONS: MM | | APVD W. KODAMA 03JUN2008 | NAME | |
| TOLERANCES UNLESS OTHERWISE SPECIFIED: | | PRODUCT SPEC | BATTERY HOLDER, H=18.9mm V/T | |
| 0 PLC ± - | | 108-57542 | | |
| 1 PLC ± 0.38 | | QUALIFICATION TEST REPORT | | |
| 2 PLC ± 0.25 | | 501-57624 | | |
| 3 PLC ± 0.15 | | WEIGHT 1.19 GRAMS | RESTRICTED TO | |
| 4 PLC ANGLES ± - | | A3 00779 C=1775485 | | |
| MATERIAL SEE NOTE | | CUSTOMER DRAWING | SCALE SHEET 3 OF 4 REV B1 | |

THIS DRAWING IS UNPUBLISHED.

RELEASED FOR PUBLICATION

AUG ,2006.

© COPYRIGHT BY TYCO ELECTRONICS CORPORATION. ALL RIGHTS RESERVED.

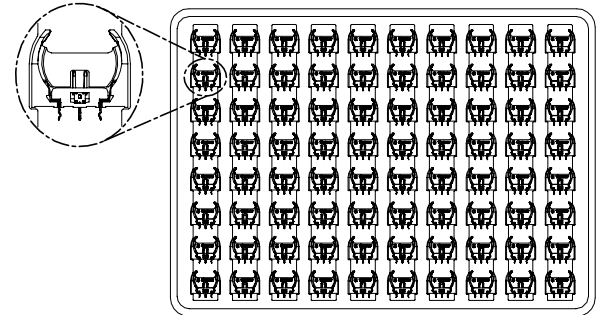
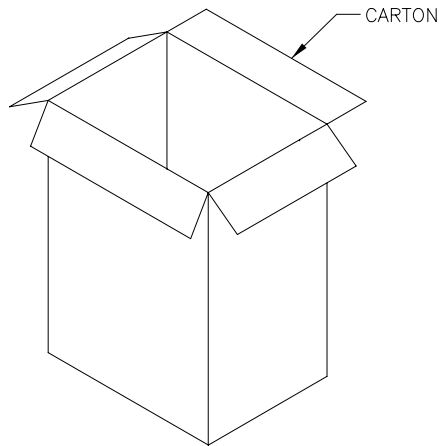
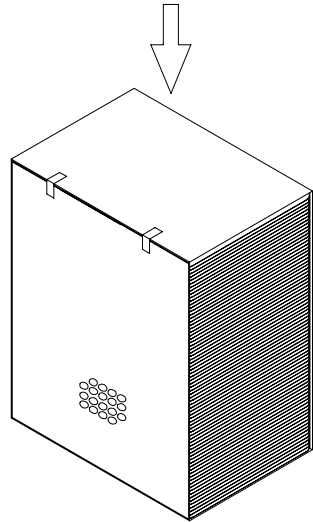
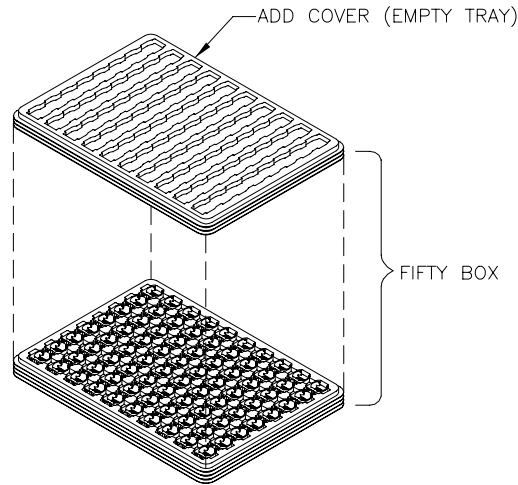
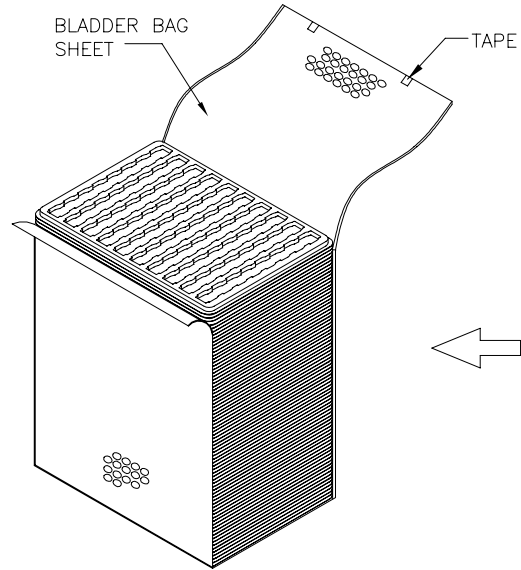
LOC DW DIST

REVISIONS

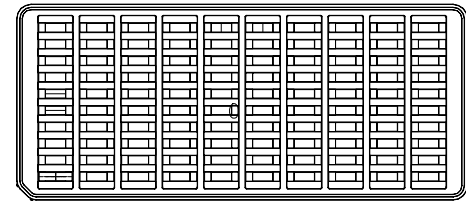
| P | LTR | DESCRIPTION | DATE | DWN | APVD |
|---|-----|--------------|------|-----|------|
| | | SEE SHEET 1. | | | |

NOTES :

- 1. MATERIAL:
 - 1.1 TRAY:
 - 1775485-1/1775485-2 SOFT TRAY
 - 1-1775485-1/1-1775485-2/2-1775485-1 SOFT TRAY
 - 2-1775485-2/1775485-3 SOFT TRAY
 - 2-1775485-4 HARD TRAY
 - 1.2 SHIPPING CARTON: CORRUGATED FIBERBOARD
- 2. QUANTITY:
 - 2.1 PRIMARY PACKING: 80 PCS/TRAY SOFT TRAY
 - 100 PCS/TRAY HARD TRAY
 - 2.2 SECONDARY PACKING: 50 TRAY/CARTON(4,000PCS)
 - 20 TRAY/CARTON(2,000PCS)



SOFT TRAY



HARD TRAY

THIS DRAWING IS A CONTROLLED DOCUMENT.

| | | | |
|-------------------|--------|--|-----|
| DIMENSIONS: MM | | TOLERANCES UNLESS OTHERWISE SPECIFIED: | |
| | | 0 PLC | ± - |
| | | 1 PLC | ± - |
| | | 2 PLC | ± - |
| | | 3 PLC | ± - |
| | | 4 PLC ANGLES | ± - |
| MATERIAL | FINISH | | |

| | | | |
|------------------|-------------------------------|-----------|---------------|
| DWN | TE Connectivity | | |
| CHK | NAME | | |
| APVD | BATTERY HOLDER, H=18.5mm, V/T | | |
| PRODUCT SPEC | SIZE | CAGE CODE | DRAWING NO |
| APPLICATION SPEC | A3 | 00779 | C=1775485 |
| WEIGHT | CUSTOMER DRAWING | | RESTRICTED TO |
| SCALE | SHEET | 4 OF 4 | REV B1 |