

F  
 D  
 C  
 B  
 A

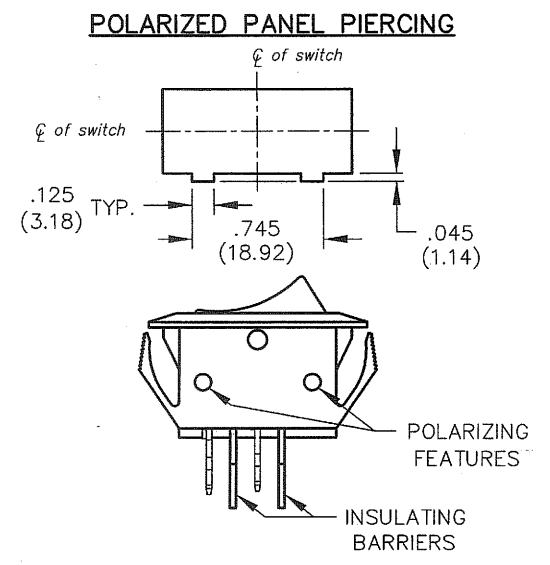
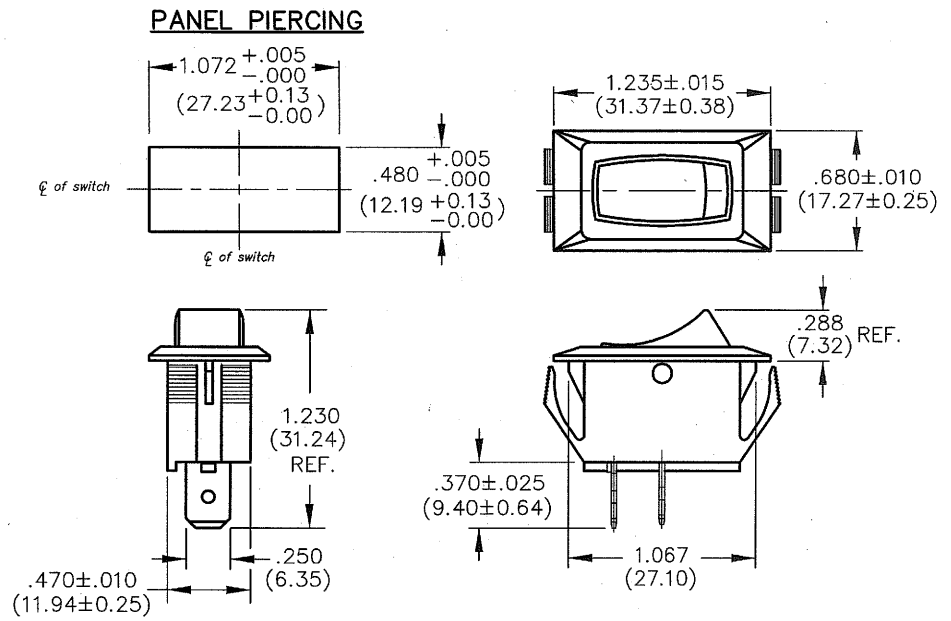
THIS INFORMATION IS CONFIDENTIAL AND PROPRIETARY TO CW INDUSTRIES INCORPORATED AND ITS AFFILIATES. IT MAY NOT BE DISCLOSED TO ANYONE OTHER THAN CW INDUSTRIES PERSONNEL, WITHOUT WRITTEN AUTHORIZATION FROM CW INDUSTRIES INCORPORATED, SOUTHAMPTON, PENNSYLVANIA USA.

DIMENSIONS IN INCHES (MILLIMETERS)  
DO NOT SCALE DRAWING .....

Dwg. No.  
**GRS-2011-3XXX**

**PANEL THICKNESS**  
 .025" to .180"  
 (0.64mm to 4.57mm)

OPTIONS:



TERMINAL OPTIONS:

.250" Wide Terminal is standard as Shown in drawing.  
.187" Wide Terminal is optional.

1	2	3	4	5	6	7	8	9	10							
<p style="writing-mode: vertical-rl; transform: rotate(180deg);">B-FORMAT 2002</p> <p style="writing-mode: vertical-rl; transform: rotate(180deg);"><b>REVISIONS</b></p> <p style="writing-mode: vertical-rl; transform: rotate(180deg);">           RELEASED: 6-16-2010            DGW JUN 23 2010         </p>							<p><b>cw INDUSTRIES</b> Southampton, Pa. 18966</p> <p><small>TOLERANCES UNLESS OTHERWISE SPECIFIED</small></p> <table border="1" style="font-size: small;"> <tr> <td>2 Place Decimal <math>\pm .010</math></td> <td>METRIC</td> </tr> <tr> <td>3 Place Decimal <math>\pm .005</math></td> <td>1 Place Dec. <math>\pm .25\text{mm}</math></td> </tr> <tr> <td>Angles ..... <math>\pm 1^\circ</math></td> <td>2 Place Dec. <math>\pm .13\text{mm}</math></td> </tr> </table> <p>Made for: CW IND.</p> <p>Drawn by: DGW 6-16-2010</p> <p>Checked by: G. Guld 6-28-10</p> <p>Approval: <i>Edward P. ...</i> 6-29-10</p>		2 Place Decimal $\pm .010$	METRIC	3 Place Decimal $\pm .005$	1 Place Dec. $\pm .25\text{mm}$	Angles ..... $\pm 1^\circ$	2 Place Dec. $\pm .13\text{mm}$	<p>Title: <b>ROCKER SWITCH</b> <b>NARROW BODY ASSEMBLY</b> <b>S.P.S.T. WITH OPTIONS</b> <b>1.072" x .480" PANEL</b></p> <p>Division: <b>SWITCH</b></p> <p>Dwg. No. <b>GRS-2011-3XXX</b></p>	
2 Place Decimal $\pm .010$	METRIC															
3 Place Decimal $\pm .005$	1 Place Dec. $\pm .25\text{mm}$															
Angles ..... $\pm 1^\circ$	2 Place Dec. $\pm .13\text{mm}$															

MASTER