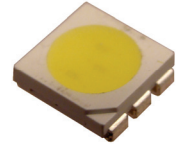


SMD LED

Type PLCC6



- top LED
- dimension: 5.0 x 5.0 x 1.5mm
- viewing angle: 120°
- application: display, moving sign, backlight panel
- the die's can be controlled serial (20mA) or parallel (60mA)
- suitable for all SMD assembly and solder process
- RoHS compliant



Part Number	Colour	Peak Wavelength	Intensity (mcd)		Angle (deg)	Voltage (V)		Lens Colour
			min	typ		min	typ	
SMD-BPLCC6-02	blue	475 nm	355	520	120°	3.0	3.2	waterclear
SMD-GPLCC6-02	green	520 nm	1715	2350	120°	3.0	3.2	waterclear
SMD-NPLCC6-02	warm white	3000-3500°K	2900	4100	120°	3.0	3.2	yellow diffused
SMD-RPLCC6-02	red	621 nm	355	500	120°	1.8	2.0	waterclear
SMD-SPLCC6-02	natural white	4000-5000°K	5300	6600	120°	2.8	3.4	yellow diffused
SMD-WPLCC6-02	white	6000-7000°K	2900	4100	120°	3.0	3.2	yellow diffused
SMD-YPLCC6-02	yellow	586 nm	460	660	120°	1.8	2.0	waterclear

Full Colour RGB

SMD-FPLCC6-02	red	621 nm	160	200	120°	1.6	1.9	waterclear
	green	520 nm	600	780		3.0	3.2	
	blue	470 nm	125	160		3.0	3.2	

Electro-Optical-Characteristics Ta=25°C, Forward Current: IF Typical = 20mA (x 3),

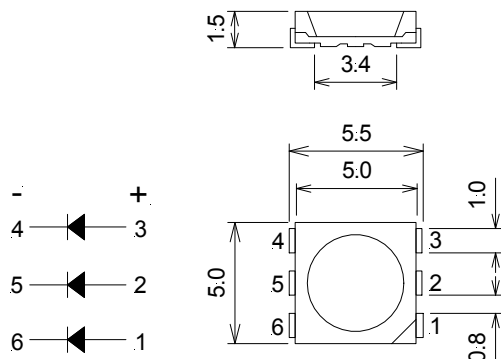
1/10 Duty Cycle, 0.1ms Pulse Width: up to 180mA, depending on colour

Storage Temp. -40 ~+85 (°C) Operating Temp. -40 ~+85 (°C)

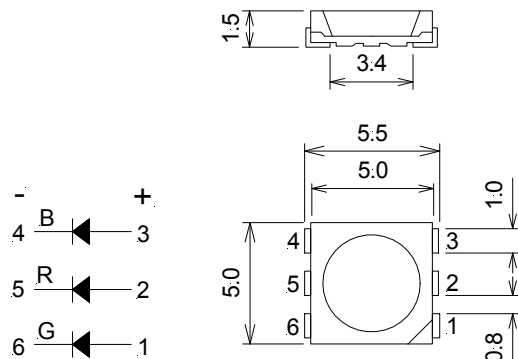
Packaging: 1000pcs./reel

Detailed data sheets are available on request

Single Colour



Full Colour RGB



1. All specifications according to information from our manufacturers, without additional guarantee on our part
2. All dimensions are in millimetres
3. Tolerance is ±0.25mm unless otherwise specified
4. Specifications are subject to change without notice