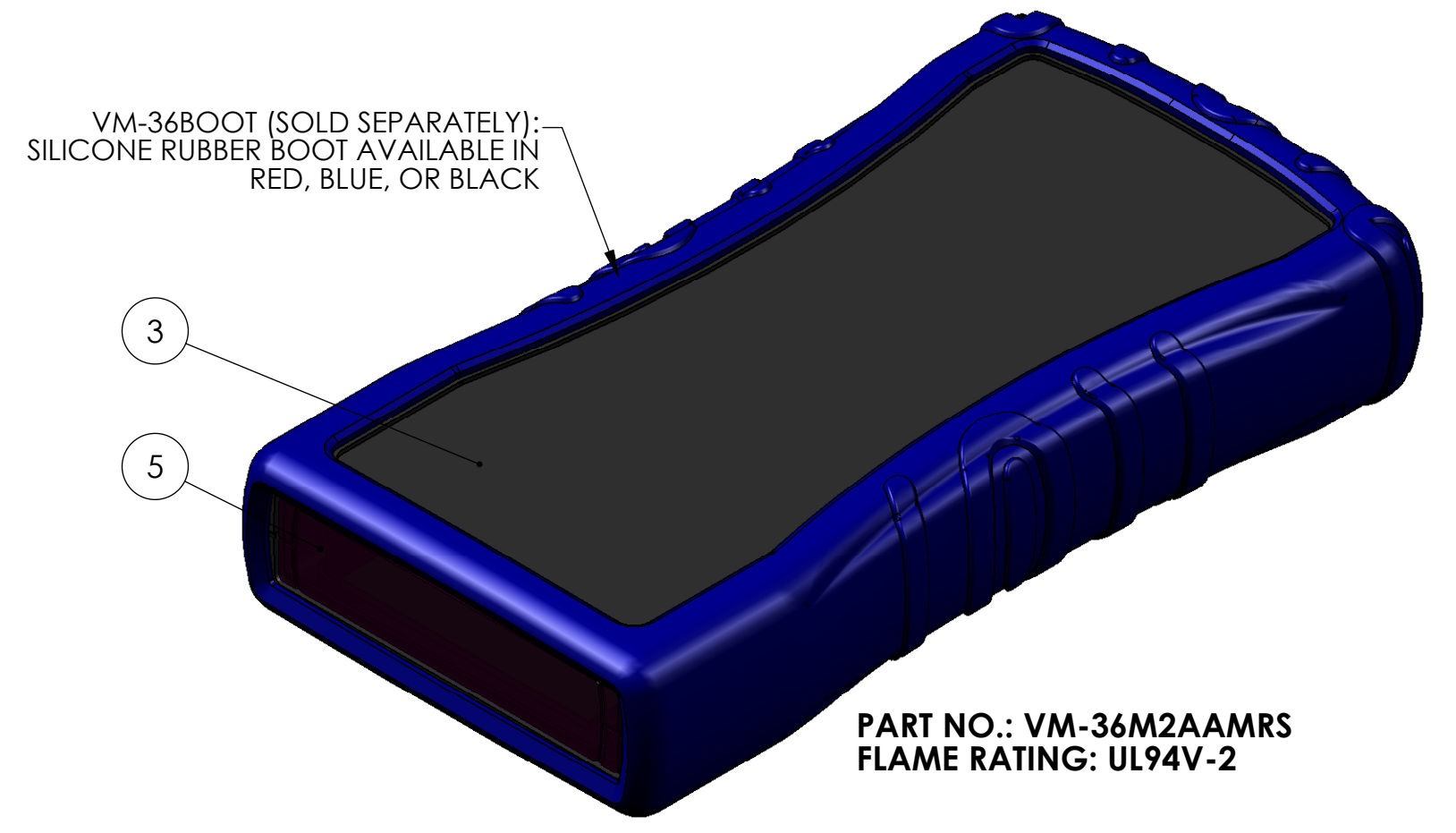
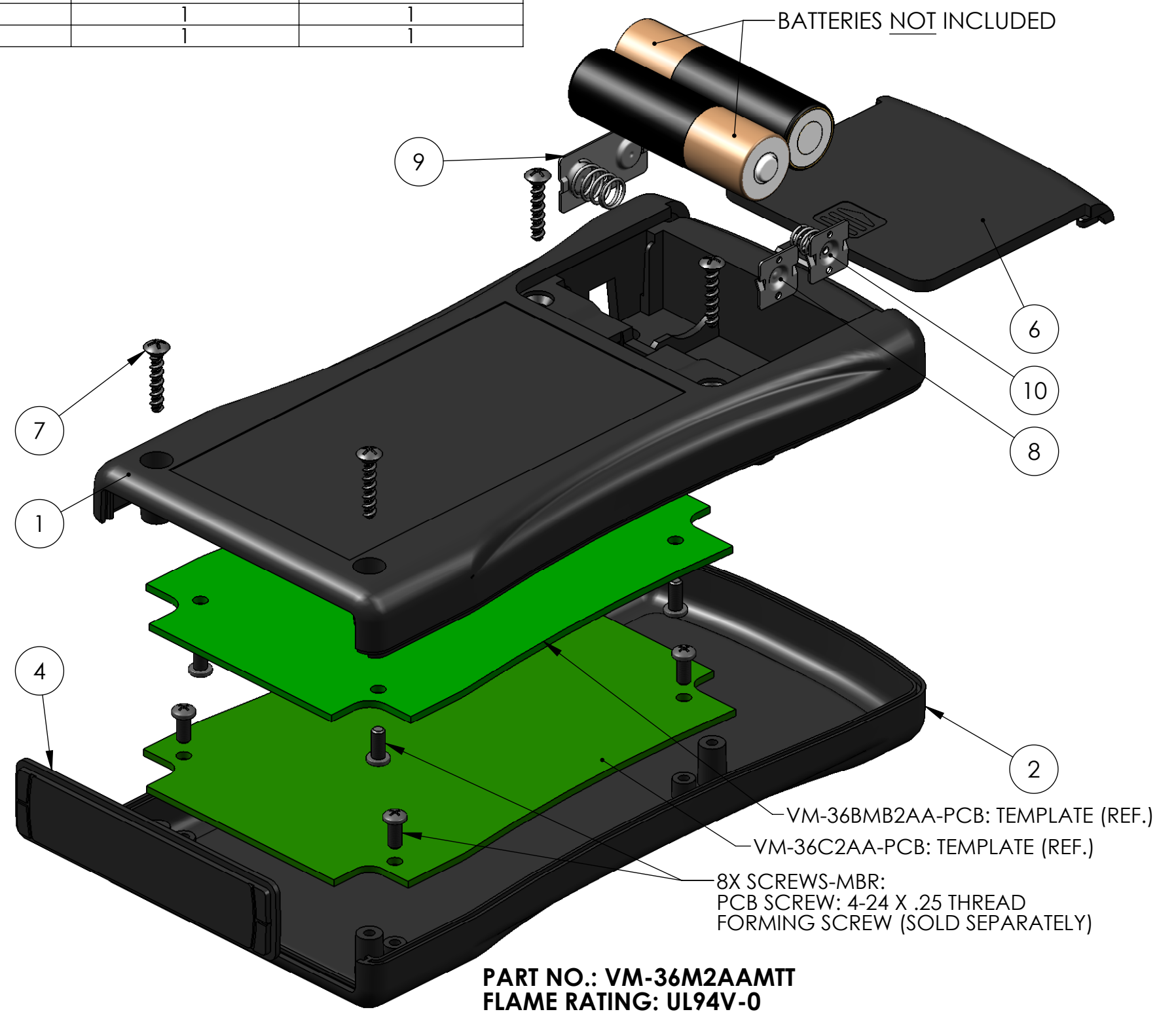
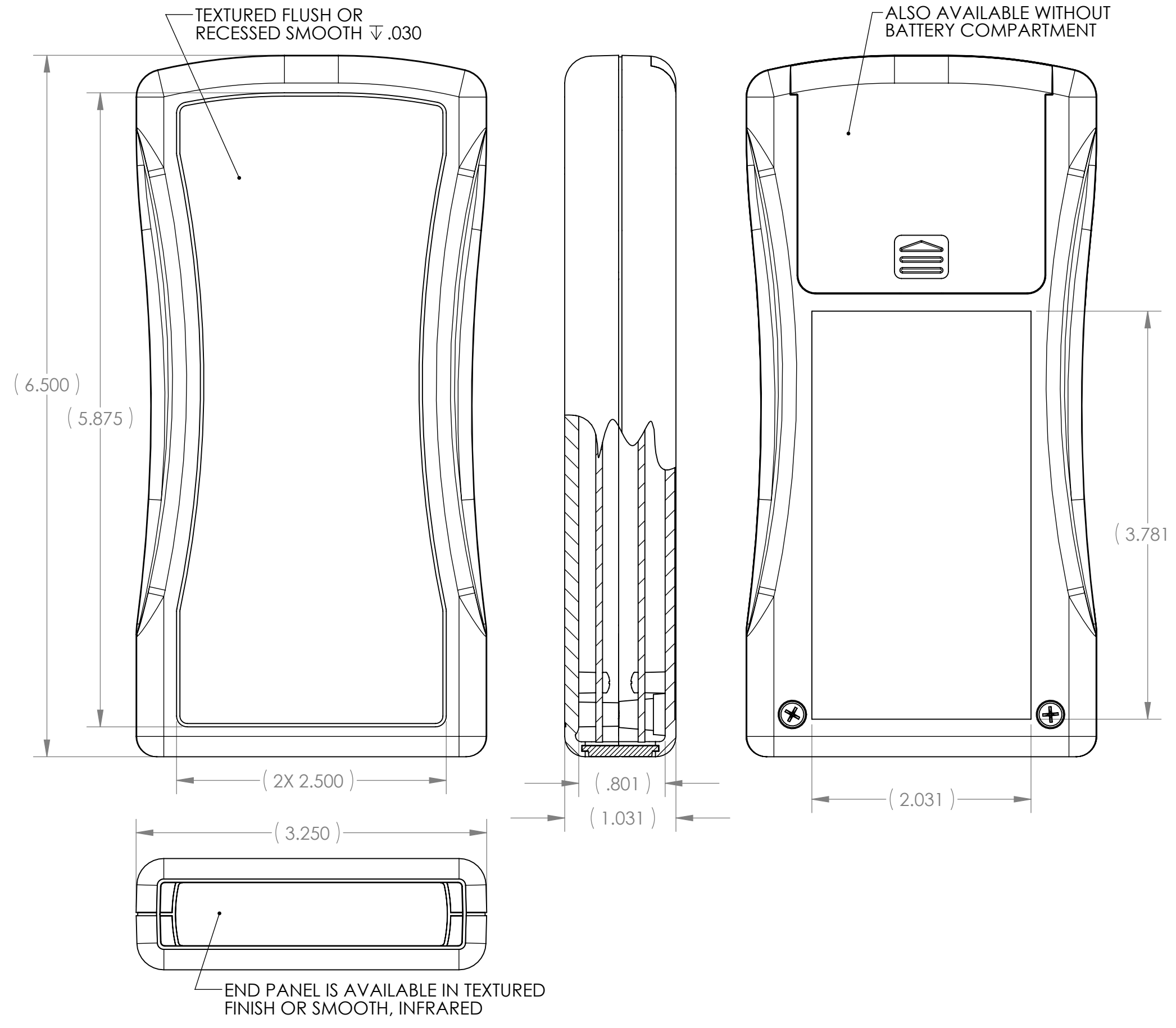


ITEM NO.	PART NUMBER	DESCRIPTION	MATERIAL	VM-36M2AAMTT/QTY.	VM-36M2AAMRT/QTY.	VM-36M2AAMRS/QTY.	VM-36M2AAMTS/QTY.
1	VM-36BMB2AA	BASE: ACCEPTS TWO AA BATTERIES	ABS	1	1	1	1
2	VM-36CMBT	COVER: TEXTURED FLUSH	ABS	1	-	-	1
3	VM-36CMBR	COVER: RECESSED SMOOTH	ABS	-	1	1	-
4	VM-35EPT	END PANEL: TEXTURED FINISH TO MATCH ENCLOSURE	ABS	1	1	-	-
5	VM-35EPS	END PANEL: SMOOTH FINISH FOR INFRARED APPLICATIONS	PC	-	-	1	1
6	VM-D2	BATTERY COMPARTMENT DOOR	ABS	1	1	1	1
7	SCREWS-HL5/8-BR	4-24 X .625 CROSS OVAL C'SUNK HEAD THREAD FORMING SCREW	STEEL	4	4	4	4
8	CNT-AA-SINGLE-M	SINGLE (MALE) AA BATTERY CONTACT	STEEL	1	1	1	1
9	CNT-AA-DUAL-M/F	DUAL MALE / FEMALE AA BATTERY CONTACT	STEEL	1	1	1	1
10	CNT-AA-SINGLE-F	SINGLE (FEMALE) AA BATTERY CONTACT	STEEL	1	1	1	1

VM-36M\*M\*\*\*

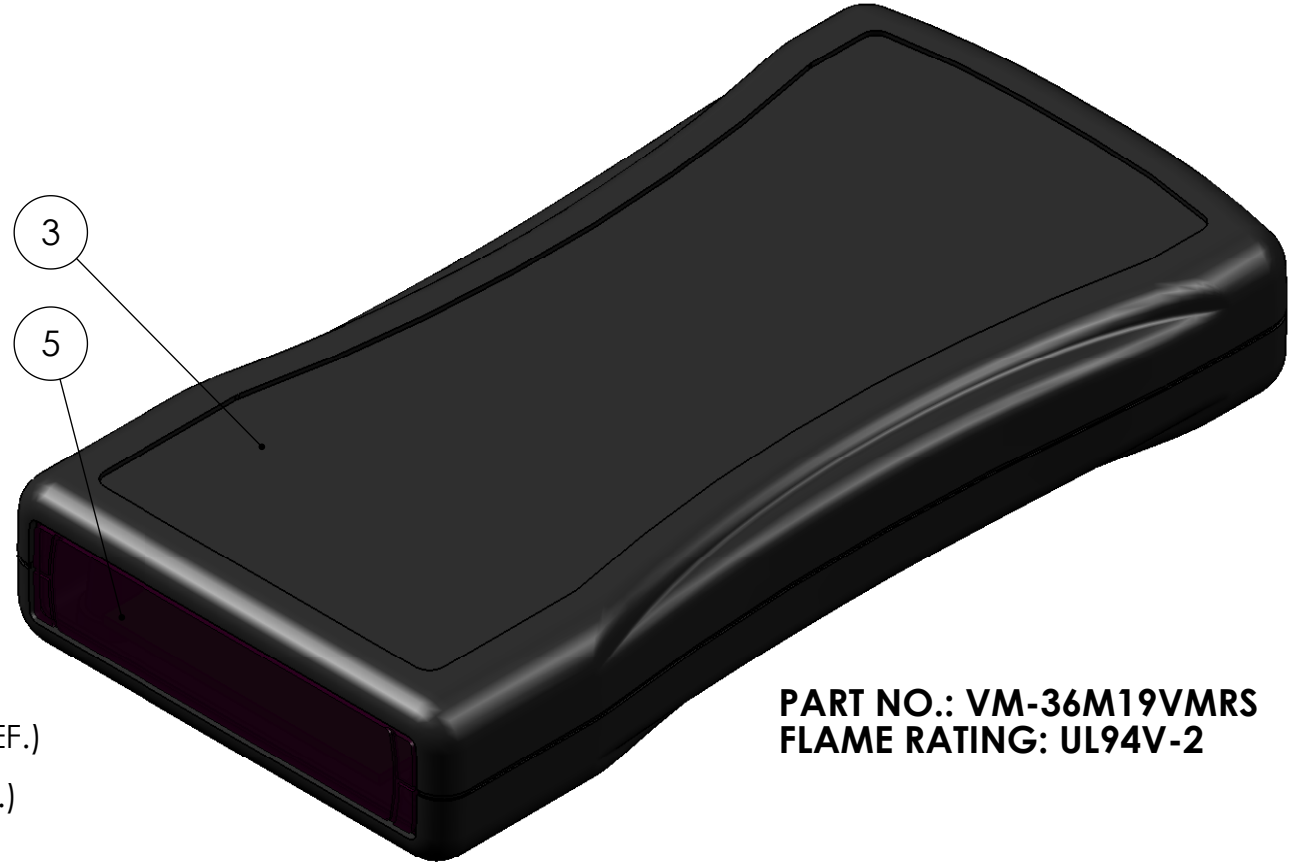
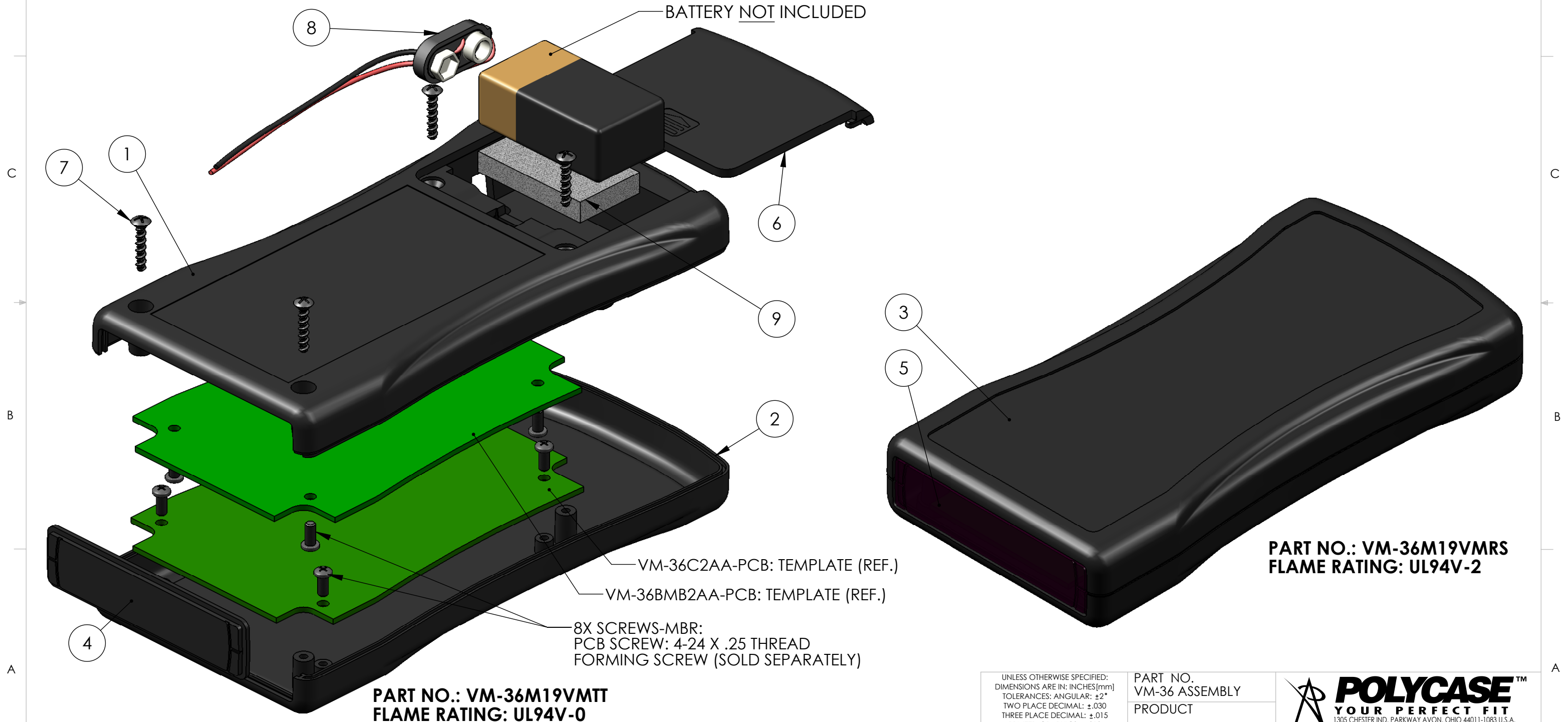
Enclosure Options	
OMIT	ENCLOSURE COLOR: BLACK
*03	ENCLOSURE COLOR: BONE
T	END PANEL: TEXTURED TO MATCH ENCLOSURE (UL94V-0)
S	END PANEL: SMOOTH, INFRARED (UL94V-2)
T	COVER: TEXTURED FLUSH
R	COVER: RECESSED SMOOTH
2AA	BASE: ACCEPTS TWO AA BATTERIES
19V	BASE: ACCEPTS ONE 9V BATTERY
OMIT	BASE: WITHOUT BATTERY COMPARTMENT



**NOTES:**  
 1. BATTERIES NOT INCLUDED  
 2. MOUNTING BOSSES ACCEPT 4-24 X .250 THREAD FORMING SCREWS FOR A .063 TH'K PC BOARD. SCREWS AVAILABLE FROM POLYCASE.

UNLESS OTHERWISE SPECIFIED: DIMENSIONS ARE IN: INCHES[mm] TOLERANCES: ANGULAR: $\pm 2^\circ$ TWO PLACE DECIMAL: $\pm .030$ THREE PLACE DECIMAL: $\pm .015$ PRINTED GRAPHICS: $\pm .010$		PART NO. VM-36 ASSEMBLY PRODUCT		POLYCASE™ YOUR PERFECT FIT 1305 CHESTER IND. PARKWAY AVON, OHIO 44011-1083 U.S.A. PH: 1-800-248-1233, 440-934-0444 FAX: 440-934-0086	
PROPRIETARY AND CONFIDENTIAL THE INFORMATION CONTAINED IN THIS DRAWING IS THE SOLE PROPERTY OF POLYCASE. ANY REPRODUCTION IN PART OR AS A WHOLE WITHOUT THE WRITTEN PERMISSION OF POLYCASE IS PROHIBITED. CAD FILE: VM-36 ASSY		CLIENT	NAME	DATE	SIZE
REV.	INITIAL RELEASE	DESCRIPTION	D.M.F.	1/29/2009	C
					Product Assembly Drawing
REVISIONS		ZONE	BY	APPR'D	DATE
					9/8/08
		DRAWN	CHECKED	SCALE: 1:1	SHEET 1 OF 3

ITEM NO.	PART NUMBER	DESCRIPTION	MATERIAL	VM-36M19VMTT/QTY.	VM-36M19VMRT/QTY.	VM-36M19VMRS/QTY.	VM-36M19VMTS/QTY.
1	VM-36BMB19V	BASE: ACCEPTS ONE 9V BATTERY	ABS	1	1	1	1
2	VM-36CMBT	COVER: TEXTURED FLUSH	ABS	1	-	-	1
3	VM-36CMBR	COVER: RECESSED SMOOTH	ABS	-	1	1	-
4	VM-35EPT	END PANEL: TEXTURED FINISH TO MATCH ENCLOSURE	ABS	1	1	-	-
5	VM-35EPS	END PANEL: SMOOTH FINISH FOR INFRARED APPLICATIONS	PC	-	-	1	1
6	VM-D2	BATTERY COMPARTMENT DOOR	ABS	1	1	1	1
7	SCREWS-HL5/8-BR	4-24 X .625 CROSS OVAL C'SUNK HEAD THREAD FORMING SCREW	STEEL	4	4	4	4
8	CNT-9V	9 VOLT BATT'Y STRAP, 6 INCH LEAD		1	1	1	1
9	FOAM-1*01	1.5 X .875 X .25 GRAY POLYESTER FOAM WITH ADHESIVE ON ONE SIDE		1	1	1	1

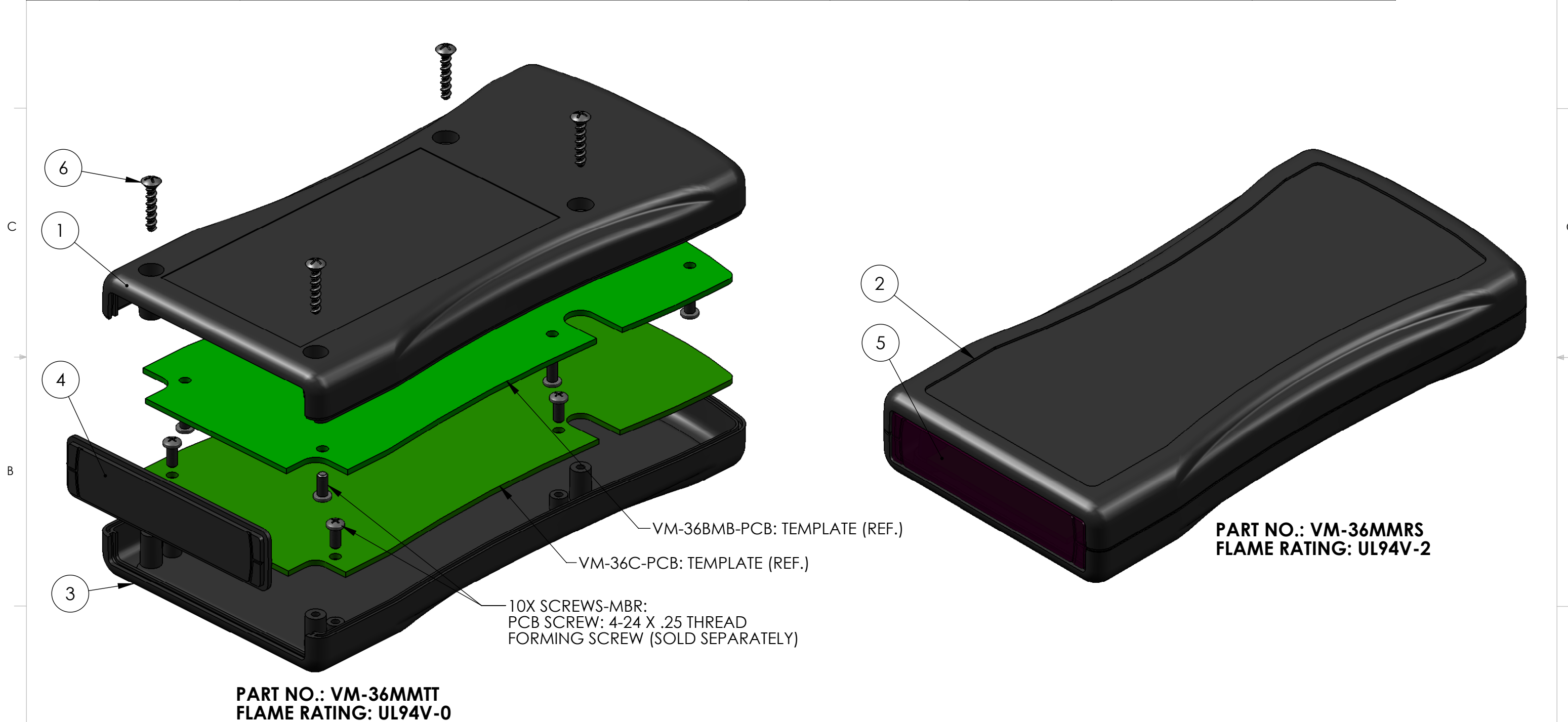


UNLESS OTHERWISE SPECIFIED: DIMENSIONS ARE IN: INCHES[mm] TOLERANCES: ANGULAR: ±2° TWO PLACE DECIMAL: ±.030 THREE PLACE DECIMAL: ±.015 PRINTED GRAPHICS: ±.010			PART NO. VM-36 ASSEMBLY		 1305 CHESTER IND. PARKWAY AVON, OHIO 44011-1083 U.S.A. PH#: 1-800-248-1233, 440-934-0444 FAX#: 440-934-0088	
PROPRIETARY AND CONFIDENTIAL THE INFORMATION CONTAINED IN THIS DRAWING IS THE SOLE PROPERTY OF POLYCASE. ANY REPRODUCTION IN PART OR AS A WHOLE WITHOUT THE WRITTEN PERMISSION OF POLYCASE IS PROHIBITED. CAD FILE: VM-36 ASSY			PRODUCT -			SIZE <b>B</b>
			CLIENT -		TITLE: Product Assembly Drawing	REV -
			DRAWN CHECKED	NAME D.M.F.	DATE 9/8/08	SCALE: 1:1
						SHEET 2 OF 3

ITEM NO.	PART NUMBER	DESCRIPTION	MATERIAL	VM-36MMTT/QTY.	VM-36MMRT/QTY.	VM-36MMTS/QTY.	VM-36MMRS/QTY.
1	VM-36BMB	BASE: WITHOUT BATTERY COMPARTMENT	ABS	1	1	1	1
2	VM-36CMBR	COVER: RECESSED SMOOTH	ABS	-	1	-	1
3	VM-36CMBT	COVER: TEXTURED FLUSH	ABS	1	-	1	-
4	VM-35EPT	END PANEL: TEXTURED FINISH TO MATCH ENCLOSURE	ABS	1	1	-	-
5	VM-35EPS	END PANEL: SMOOTH FINISH FOR INFRARED APPLICATIONS	PC	-	-	1	1
6	SCREWS-HL5/8-BR	4-24 X .625 CROSS OVAL C'SUNK HEAD THREAD FORMING SCREW	STEEL	4	4	4	4

D

D



A

A

UNLESS OTHERWISE SPECIFIED: DIMENSIONS ARE IN: INCHES[mm] TOLERANCES: ANGULAR: ±2° TWO PLACE DECIMAL: ±.030 THREE PLACE DECIMAL: ±.015 PRINTED GRAPHICS: ±.010  PROPRIETARY AND CONFIDENTIAL THE INFORMATION CONTAINED IN THIS DRAWING IS THE SOLE PROPERTY OF POLYCASE. ANY REPRODUCTION IN PART OR AS A WHOLE WITHOUT THE WRITTEN PERMISSION OF POLYCASE IS PROHIBITED. CAD FILE: VM-36 ASSY	PART NO. VM-36 ASSEMBLY		 1305 CHESTER IND. PARKWAY AVON, OHIO 44011-1083 U.S.A. PH#: 1-800-248-1233, 440-934-0444 FAX#: 440-934-0088	SIZE <b>B</b>	TITLE: Product Assembly Drawing	REV -
	PRODUCT -			CLIENT -	SCALE: 1:1	
	DRAWN	NAME	DATE			
	CHECKED	D.M.F.	9/8/08			

8

7

6

5

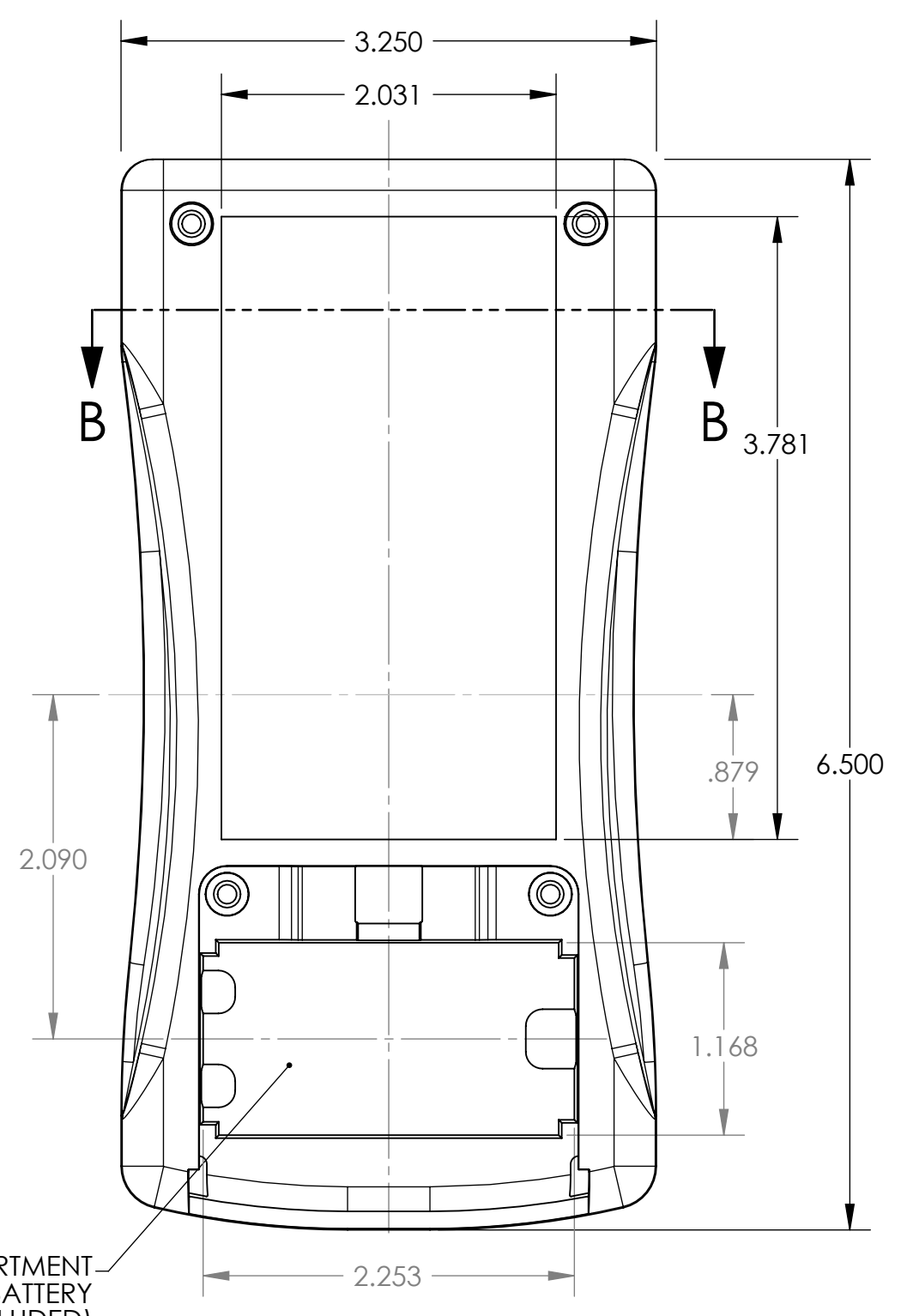
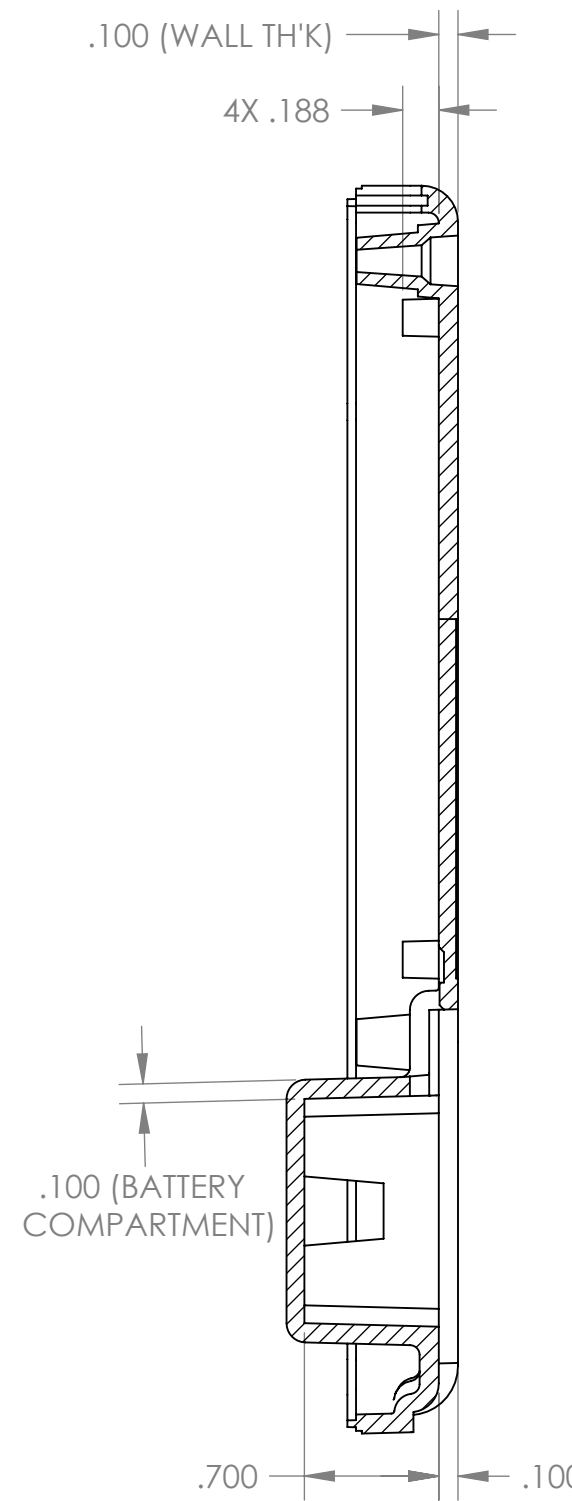
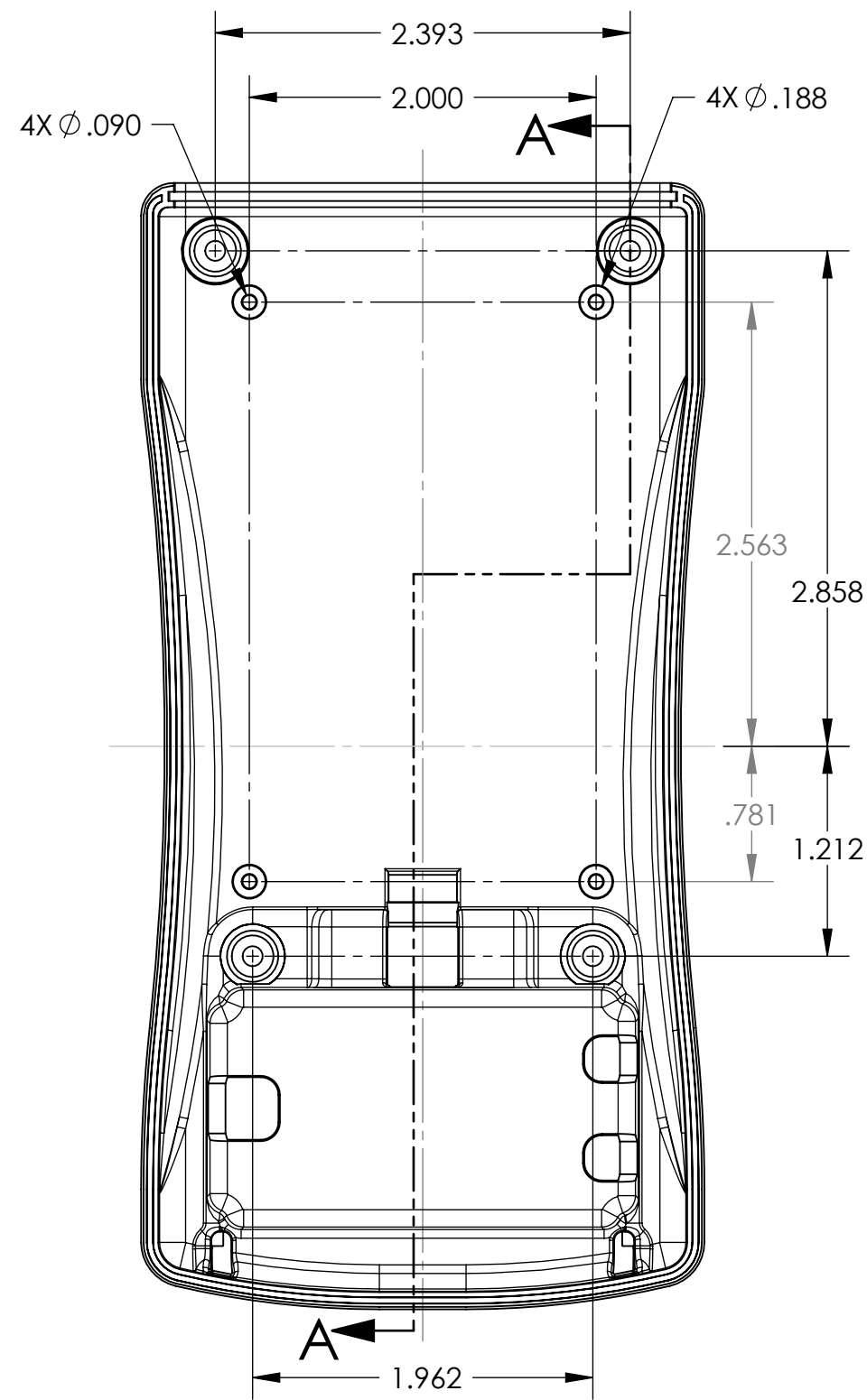
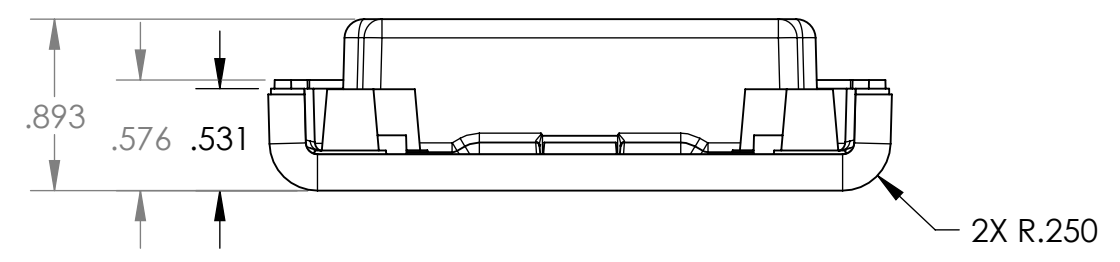
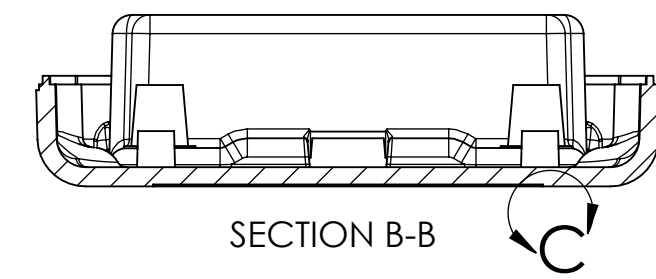
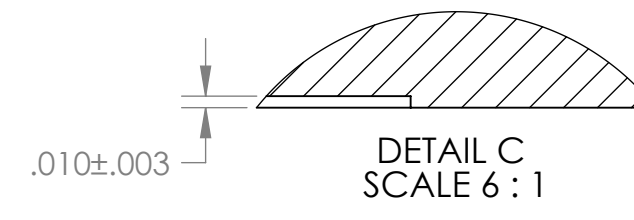
4

3

2

1



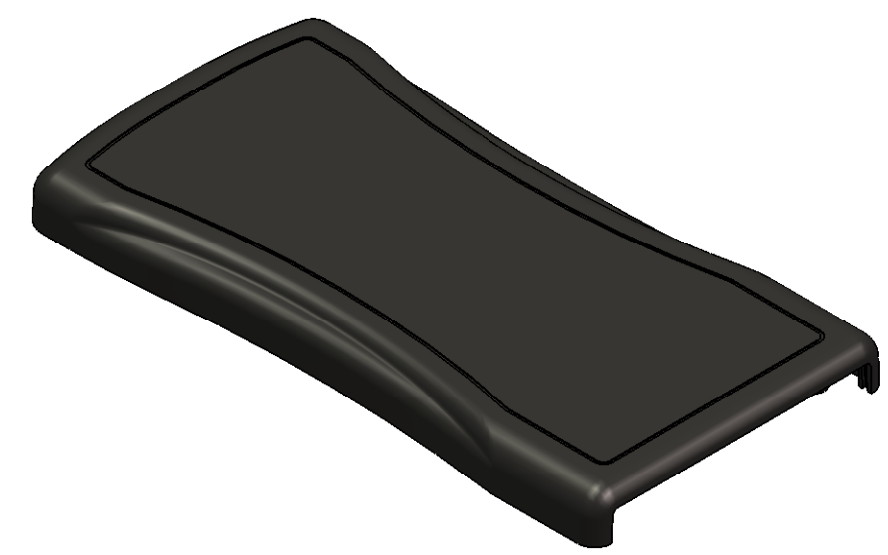
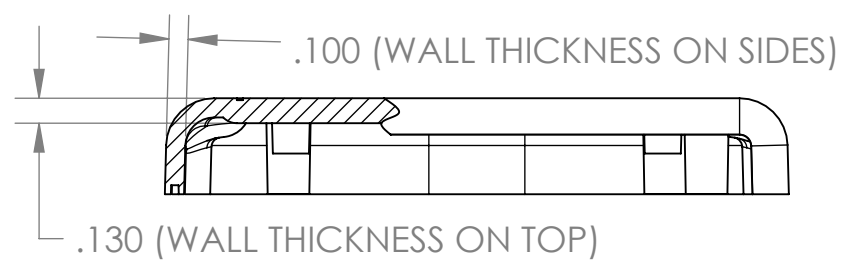
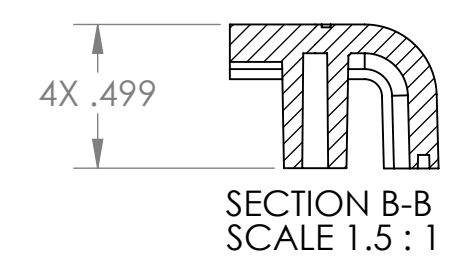
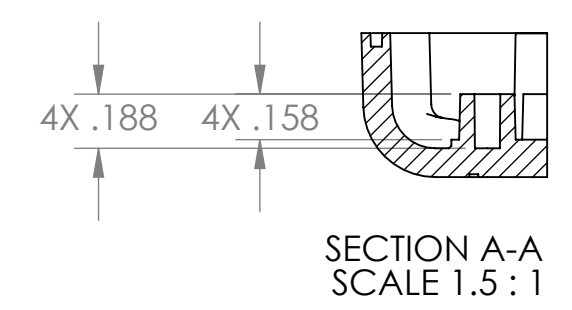
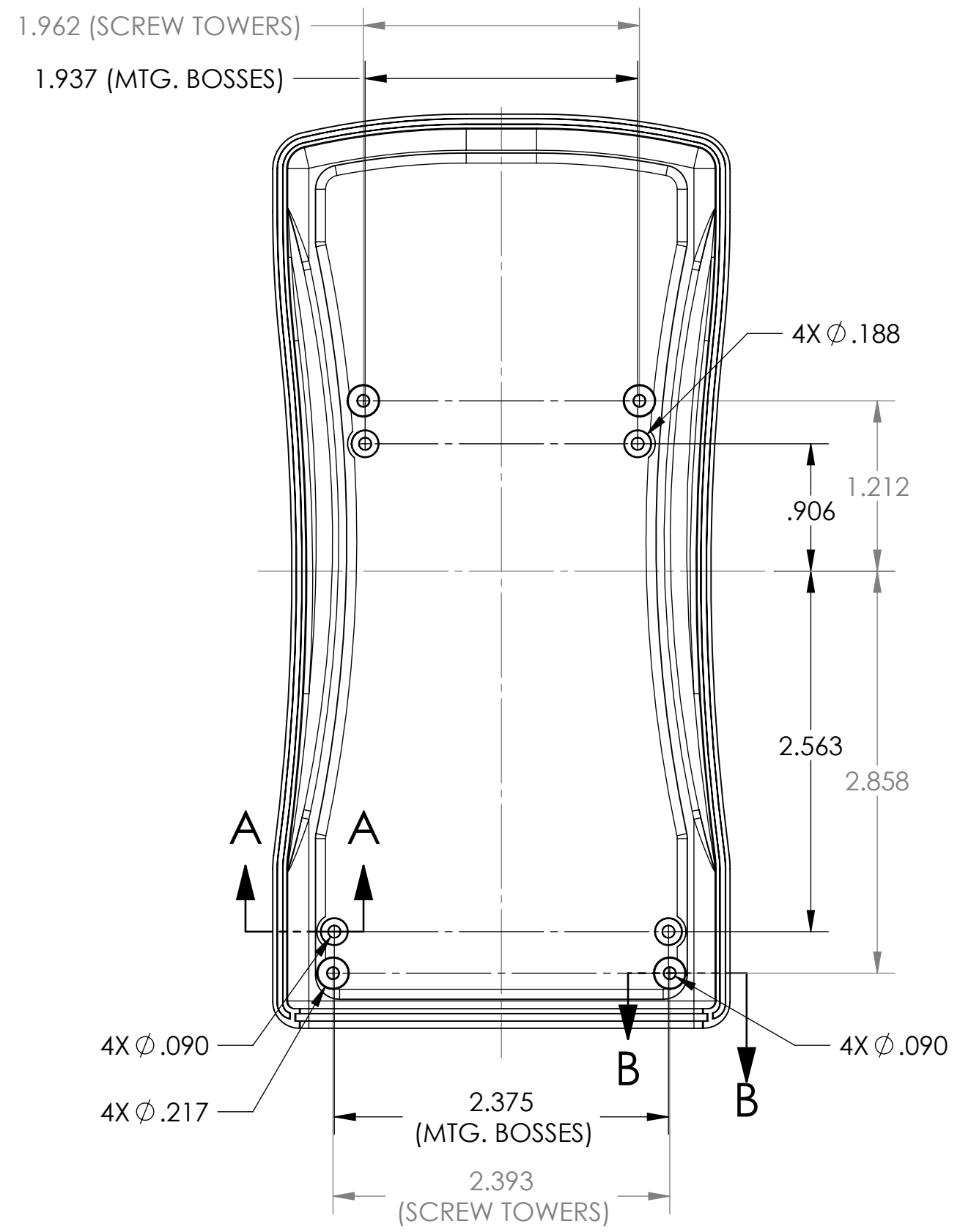
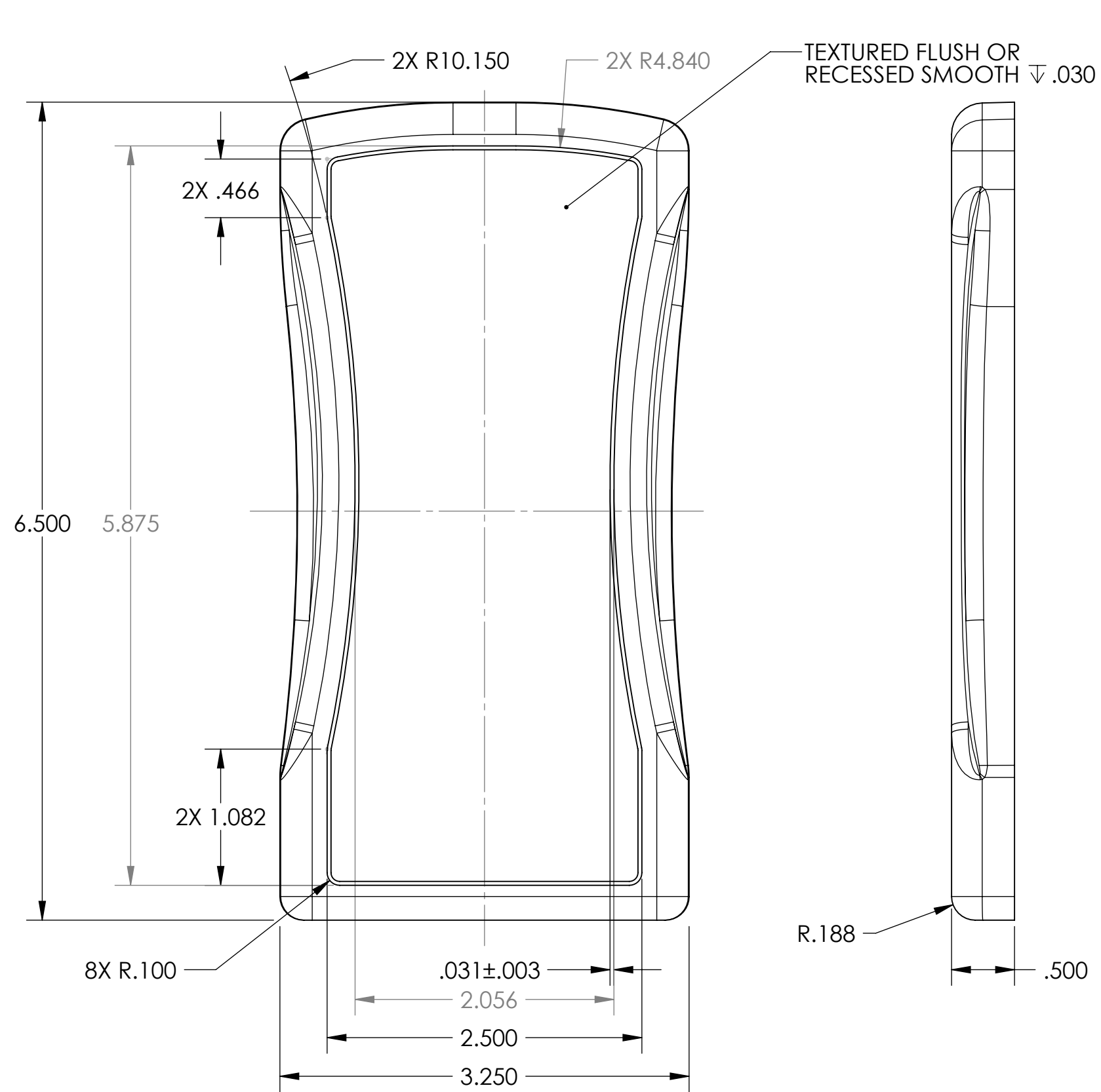


BATTERY COMPARTMENT ACCEPTS ONE 9V BATTERY (NOT INCLUDED)

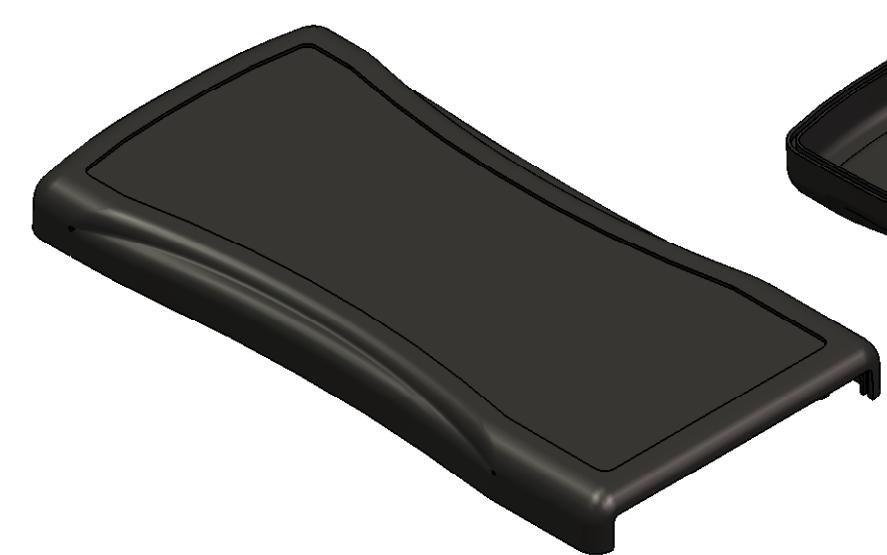
NOTE:  
 1. MTG. BOSSES TO ACCEPT A #4-24 X 1/4 THREAD FORMING SCREW USED WITH A 1/16 THICK PCB. (SCREWS ARE AVAILABLE FROM POLYCASE.)  
 2. INCLUDES PREMIUM MOLDED ABS, 9V BATTERY STRAP W/6 INCH #26 AWG WIRE LEADS.

REV.	DESCRIPTION	ZONE	BY	APPR'D	DATE
-	INITIAL RELEASE	-	D.M.F.		2/4/2009
REVISIONS					

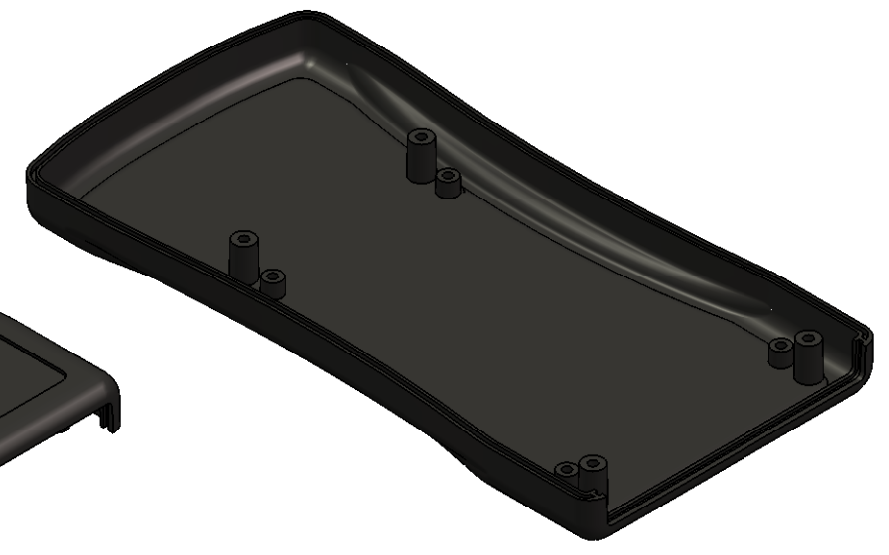
UNLESS OTHERWISE SPECIFIED: DIMENSIONS ARE IN: INCHES[mm] TOLERANCES: ANGULAR: ±2° TWO PLACE DECIMAL: ±.030 THREE PLACE DECIMAL: ±.015 PRINTED GRAPHICS: ±.010		PART NO. VM-36BMB19V		 1305 CHESTER IND. PARKWAY AVON, OHIO 44011-1083 U.S.A. PH: 1-800-248-1233, 440-934-0444 FAX: 440-934-0086
PROPRIETARY AND CONFIDENTIAL THE INFORMATION CONTAINED IN THIS DRAWING IS THE SOLE PROPERTY OF POLYCASE. ANY REPRODUCTION IN PART OR AS A WHOLE WITHOUT THE WRITTEN PERMISSION OF POLYCASE IS PROHIBITED. CAD FILE: VM-36BMB19V		PRODUCT CLIENT NAME: D.M.F. DATE: 2/6/09 DRAWN: - CHECKED: 12/31/2999		



PART NO: VM-36CMBT  
COVER: TEXTURED FLUSH



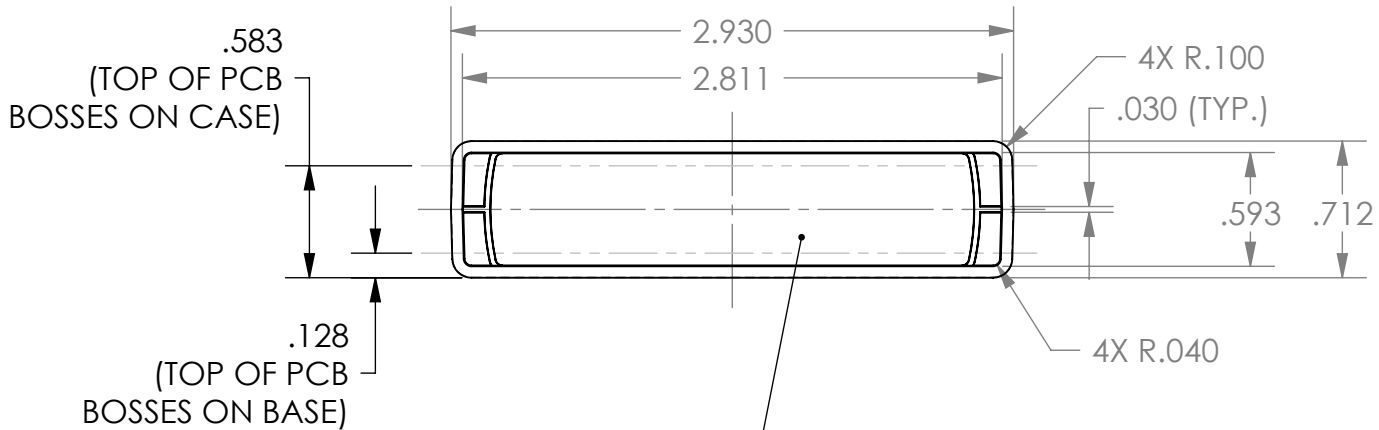
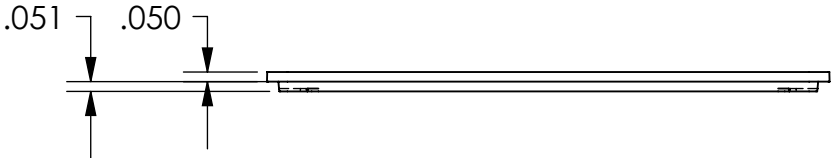
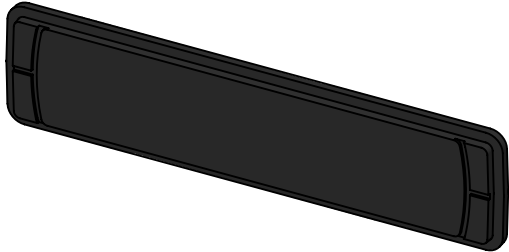
PART NO: VM-36CMBR  
COVER: RECESSED SMOOTH



NOTE:  
1. MTG. BOSES TO ACCEPT A #4-24 X 1/4 THREAD FORMING SCREW USED WITH A 1/16 THICK PCB. (SCREWS ARE AVAILABLE FROM POLYCASE)

REV.	DESCRIPTION	ZONE	BY	APPR'D	DATE
-	INITIAL RELEASE	-	D.M.F.		2/6/2009
REVISIONS					

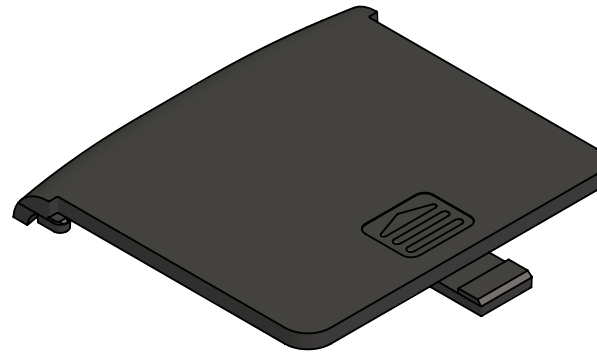
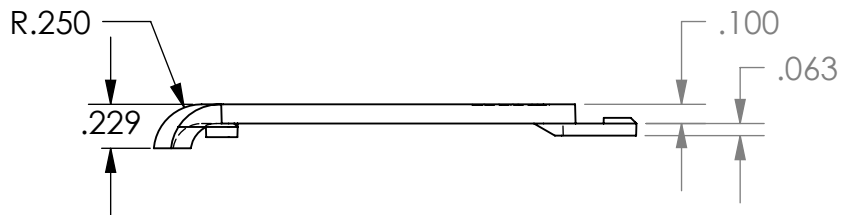
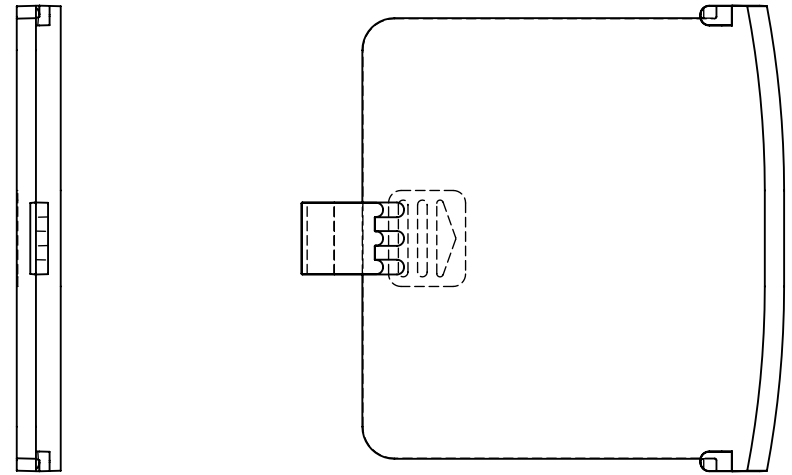
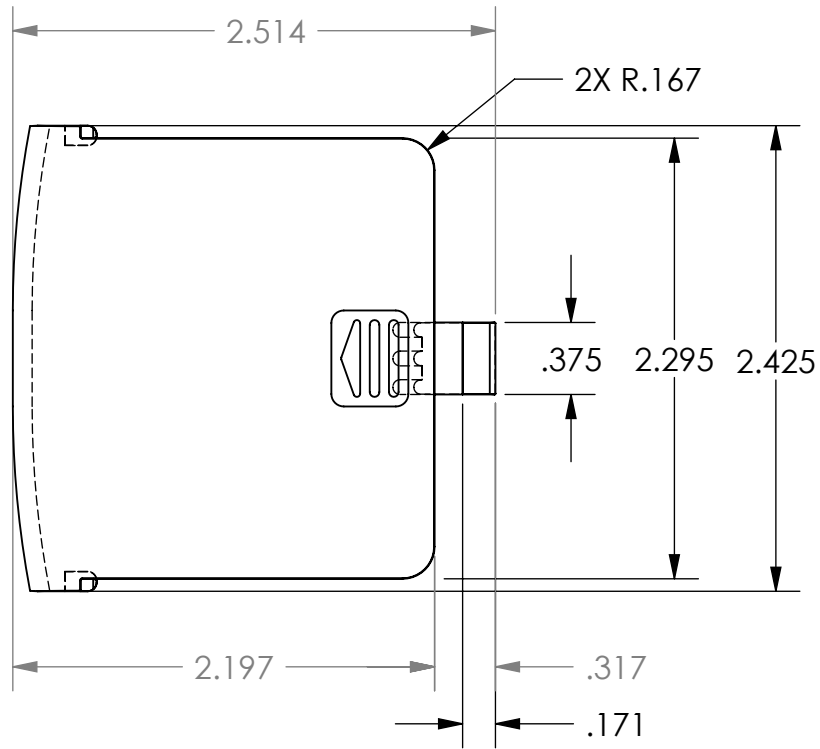
UNLESS OTHERWISE SPECIFIED: DIMENSIONS ARE IN: INCHES[mm] TOLERANCES: ANGULAR: ±2° TWO PLACE DECIMAL: ±.030 THREE PLACE DECIMAL: ±.015 PRINTED GRAPHICS: ±.010		PART NO. VM-36C		 <b>POLYCASE™</b> YOUR PERFECT FIT 1305 CHESTER IND. PARKWAY AVON, OHIO 44011-1083 U.S.A. PH: 1-800-248-1233, 440-934-0444 FAX: 440-934-0088
PROPRIETARY AND CONFIDENTIAL THE INFORMATION CONTAINED IN THIS DRAWING IS THE SOLE PROPERTY OF POLYCASE. ANY REPRODUCTION IN PART OR AS A WHOLE WITHOUT THE WRITTEN PERMISSION OF POLYCASE IS PROHIBITED. CAD FILE: VM-36C		PRODUCT - CLIENT -		
DRAWN CHECKED - -		NAME D.M.F. -		TITLE: Product Detail Drawing REV -
SCALE: 1:1		DATE 2/6/09 12/31/2999		SHEET 1 OF 1



STANDARD END PANEL MATCHES ENCLOSURE COLOR AND IS TEXTURED. ALSO AVAILABLE IN SMOOTH, INFRARED PERMISSIVE MATERIAL.

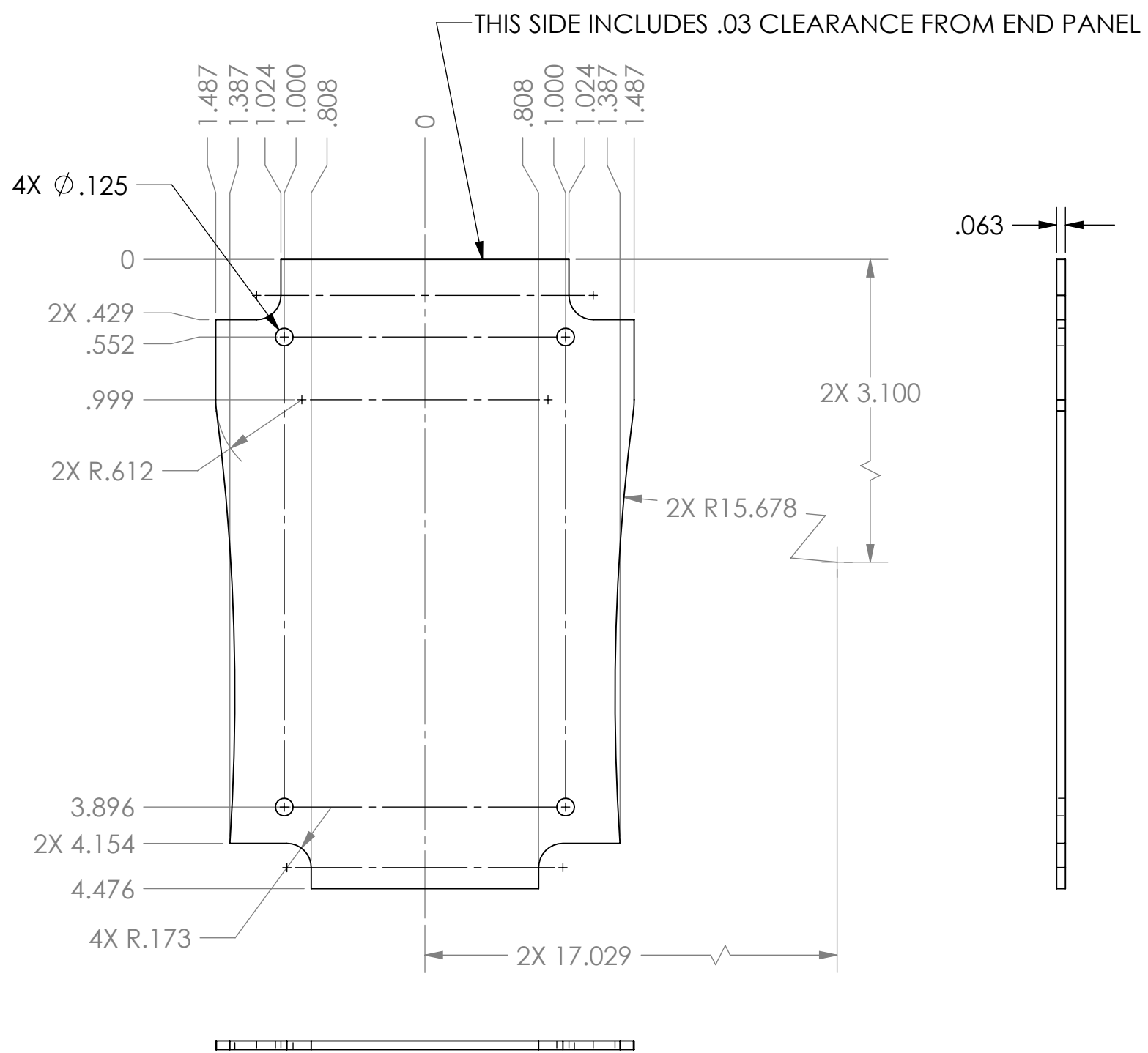
SHEET 1 OF 1

 <b>POLYCASE</b> YOUR PERFECT FIT	DRWN BY D.F.	APP. BY B.B.	SCALE: 1:1	DATE: 5/11/07
	JOB NO: -		PRODUCT: VM-35EP	
TOLERANCES UNLESS OTHERWISE SPECIFIED: <b>X.XX ±.030</b> <b>X.XXX ±.015</b>	1305 CHESTER IND. PARKWAY AVON, OHIO 44011-1083 U.S.A. PH#: 1-800-248-1233, 440-934-0444 FAX#: 440-934-0088			CUSTOMER: -
THIS DRAWING AND THE INFORMATION CONTAINED ARE THE PROPERTY OF POLYCASE AND ARE NOT TO BE REPRODUCED, COPIED OR USED IN ANY WAY DETRIMENTAL TO THE INTEREST OF POLYCASE			SIZE: <b>A</b>	
TITLE: PRODUCT DETAIL DRAWING				

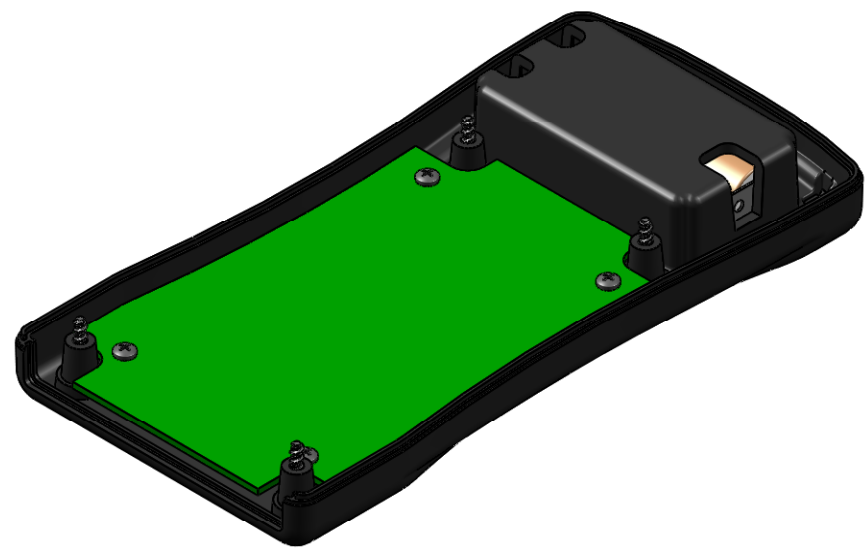


SHEET 1 OF 1

 <b>POLYCASE</b> YOUR PERFECT FIT	DRWN BY D.F.	APP. BY B.B.	SCALE: 1:1	DATE: 5/11/07
	JOB NO: -		PRODUCT: VM-D2	
TOLERANCES UNLESS OTHERWISE SPECIFIED: <b>X.XX ±.030</b> <b>X.XXX ±.015</b>	1305 CHESTER IND. PARKWAY AVON, OHIO 44011-1083 U.S.A. PH#: 1-800-248-1233, 440-934-0444 FAX#: 440-934-0088			SIZE: A
THIS DRAWING AND THE INFORMATION CONTAINED ARE THE PROPERTY OF POLYCASE AND ARE NOT TO BE REPRODUCED, COPIED OR USED IN ANY WAY DETRIMENTAL TO THE INTEREST OF POLYCASE				TITLE: PRODUCT DETAIL DRAWING



NOTES:  
 1. PCB SIZES INCLUDE .03 CLEARANCE FROM INNER WALLS AND SCREW TOWERS WHEN UTILIZING THE MOUNTING BOSSES FOUND ON THE VM-36 **BASE** WITH EITHER THE TWO AA BATTERY OR ONE 9V BATTERY COMPARTMENT.  
 2. PCB BOSSES WILL ACCEPT A #4 X 1/4 THREAD FORMING SCREW. (SCREWS ARE AVAILABLE FROM POLYCASE)



REV.	DESCRIPTION	ZONE	BY	APPR'D	DATE
-	INITAIL RELEASE	-	D.M.F.	B.M.B.	9/3/2009
REVISIONS					

UNLESS OTHERWISE SPECIFIED:  
 DIMENSIONS ARE IN: INCHES [mm]  
 TOLERANCES: ANGULAR: ±2°  
 TWO PLACE DECIMAL: ±.010  
 THREE PLACE DECIMAL: ±.005  
 PRINTED GRAPHICS: ±.010

PROPRIETARY AND CONFIDENTIAL  
 THE INFORMATION CONTAINED IN THIS DRAWING IS THE SOLE PROPERTY OF POLYCASE. ANY REPRODUCTION IN PART OR AS A WHOLE WITHOUT THE WRITTEN PERMISSION OF POLYCASE IS PROHIBITED.  
 CAD FILE: VM-36BMB2AA-PCB

PART NO.  
 VM-36BMB2AA-PCB

PRODUCT  
 -

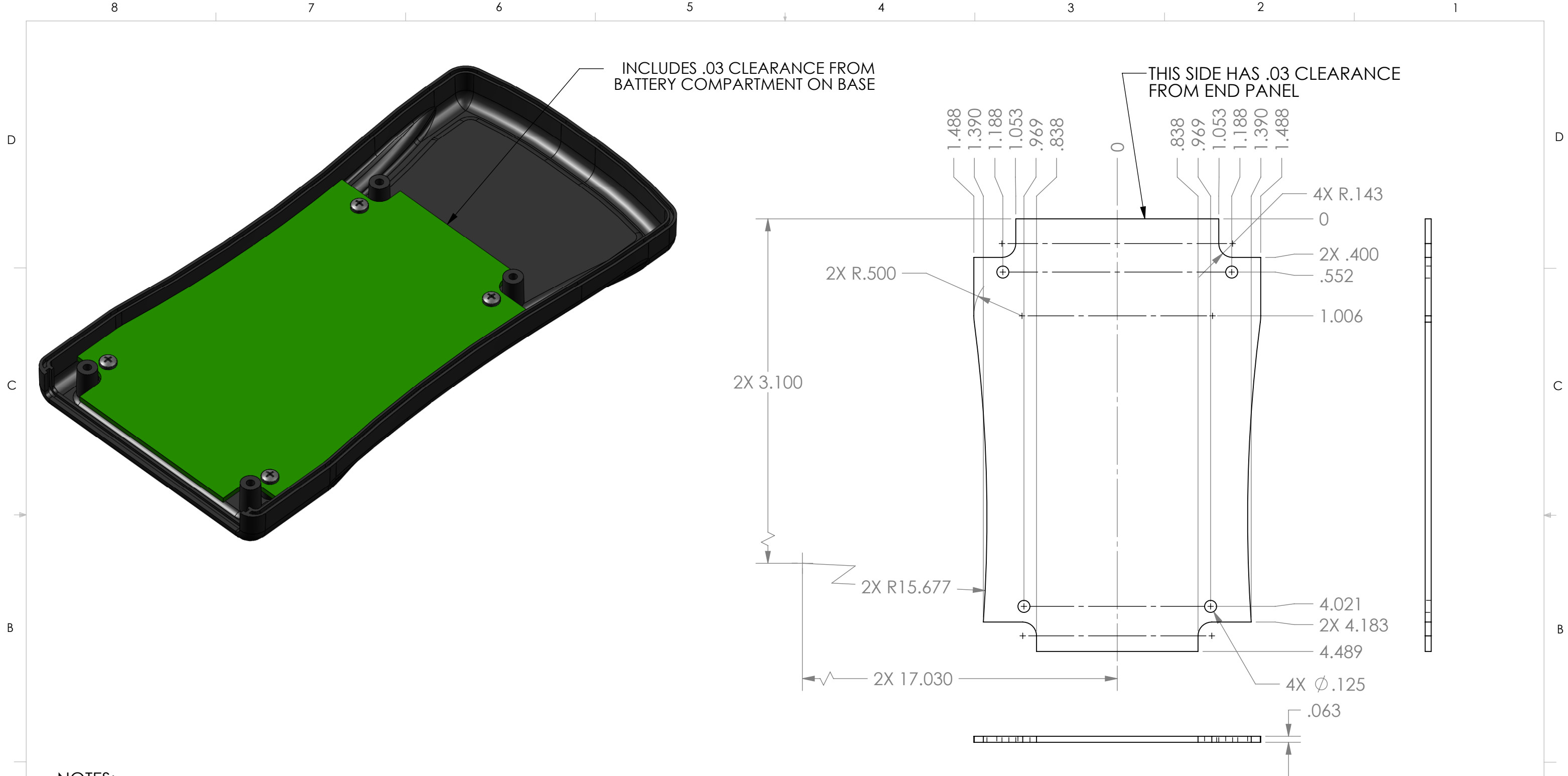
CLIENT  
 -

DRAWN	NAME	DATE
D.M.F.		2/6/2009
CHECKED	B.M.B.	9/3/2009

**POLYCASE™**  
 YOUR PERFECT FIT  
 1305 CHESTER IND. PARKWAY AVON, OHIO 44011-1083 U.S.A.  
 PH#: 1-800-248-1233, 440-934-0444 FAX#: 440-934-0088

SIZE <b>B</b>	TITLE: PCB Template	REV -
SCALE: 1:1	SHEET 1 OF 1	





INCLUDES .03 CLEARANCE FROM BATTERY COMPARTMENT ON BASE

THIS SIDE HAS .03 CLEARANCE FROM END PANEL

**NOTES:**

1. PCB SIZES INCLUDE .03 CLEARANCE FROM INNER WALLS AND SCREW TOWERS WHEN UTILIZING THE MOUNTING BOSSES FOUND ON THE VM-36 **COVER** AND INCLUDES .03 CLEARANCE FROM EITHER THE TWO AA OR ONE 9V BATTERY COMPARTMENT ON THE VM-36 BASE.
2. PCB BOSSES WILL ACCEPT A #4 X 1/4 THREAD FORMING SCREW. (SCREWS ARE AVAILABLE FROM POLYCASE)

REV.	ZONE	DESCRIPTION	BY	APPR'D	DATE
-	-	INITIAL RELEASE	D.M.F.	B.M.B.	9/3/2009
REVISIONS					

UNLESS OTHERWISE SPECIFIED:  
 DIMENSIONS ARE IN: INCHES [mm]  
 TOLERANCES: ANGULAR: ±2°  
 TWO PLACE DECIMAL: ±.010  
 THREE PLACE DECIMAL: ±.005  
 PRINTED GRAPHICS: ±.010

PROPRIETARY AND CONFIDENTIAL  
 THE INFORMATION CONTAINED IN THIS  
 DRAWING IS THE SOLE PROPERTY OF  
 POLYCASE. ANY REPRODUCTION IN PART  
 OR AS A WHOLE WITHOUT THE WRITTEN  
 PERMISSION OF POLYCASE IS PROHIBITED.  
 CAD FILE: VM-36C2AA-PCB

PART NO.  
 VM-36C2AA-PCB

PRODUCT  
 -

CLIENT  
 -

DRAWN	NAME	DATE
D.M.F.		9/8/2008
CHECKED	B.M.B.	9/3/2009

**POLYCASE™**  
 YOUR PERFECT FIT  
 1305 CHESTER IND. PARKWAY AVON, OHIO 44011-1083 U.S.A.  
 PH#: 1-800-248-1233, 440-934-0444 FAX#: 440-934-0088

SIZE <b>B</b>	TITLE: PCB Template	REV -
SCALE: 1:1	SHEET 1 OF 1	

# Infra-red readings for 0.100" thick panel

