

Distributed by:

**JAMECO**<sup>®</sup>  
ELECTRONICS

**www.Jameco.com ♦ 1-800-831-4242**

The content and copyrights of the attached  
material are the property of its owner.

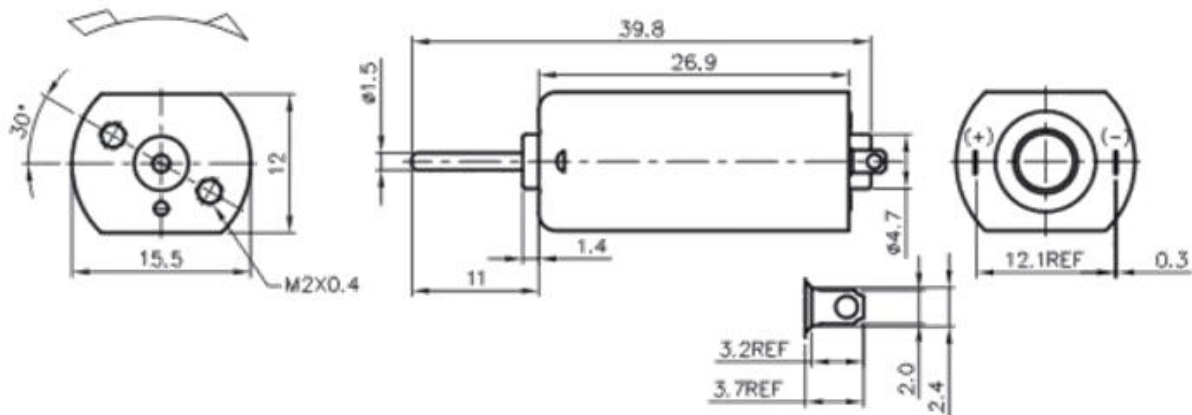
Jameco Part Number 232144

# DC Motors



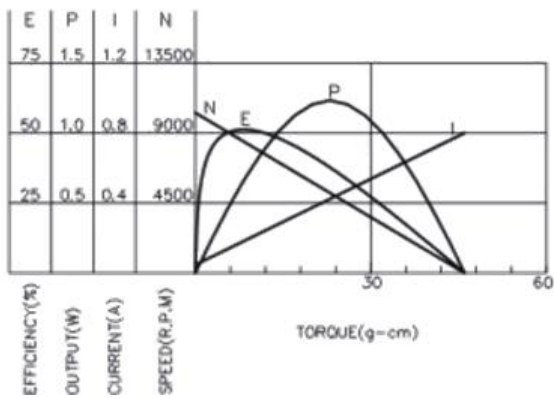
P/N	Model No.	Voltage		NO LOAD		AT MAXIMUM EFFICIENCY				STALL	
		Operating Range	Normal	Speed	Current	Speed	Current	Torque	Output	Current	Torque
		V	V	rpm	A	rpm	A	g.cm	W	A	g-cm
232144	FF-050S-11170	1.5-9.0	7	10300	0.046	8500	0.17	7.0	0.61	0.80	46

## DIRECTION OF ROTATION



WEIGHT : 18g (APPROX)

## FF-050S-11170 7.0V



Sinotech Shanghai  
 Room 1404 , 1759 North Zhongshan Road, Putuo District,  
 Shanghai, China,