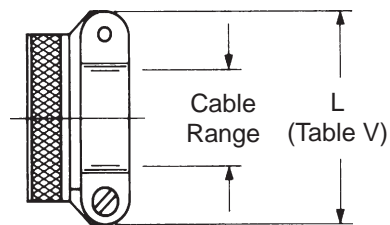
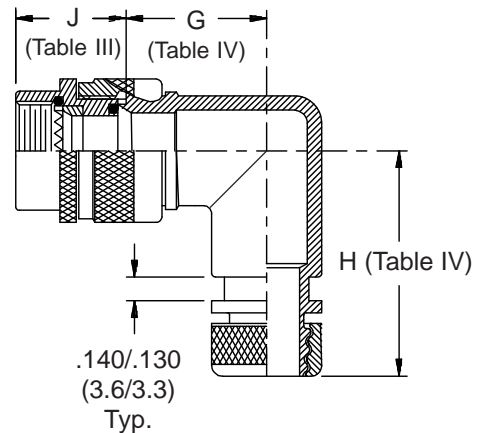
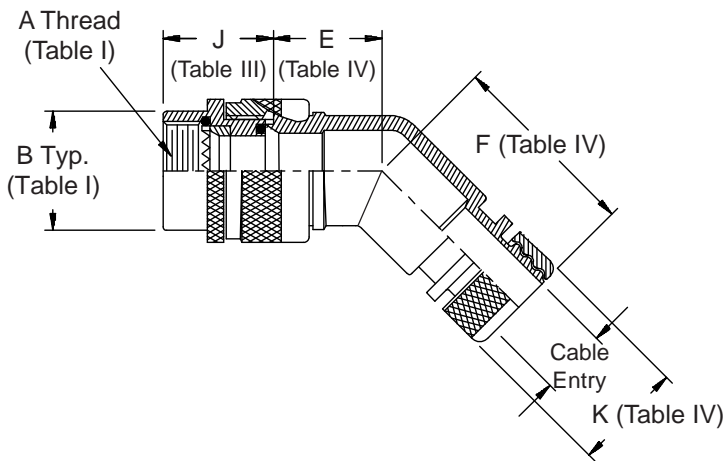
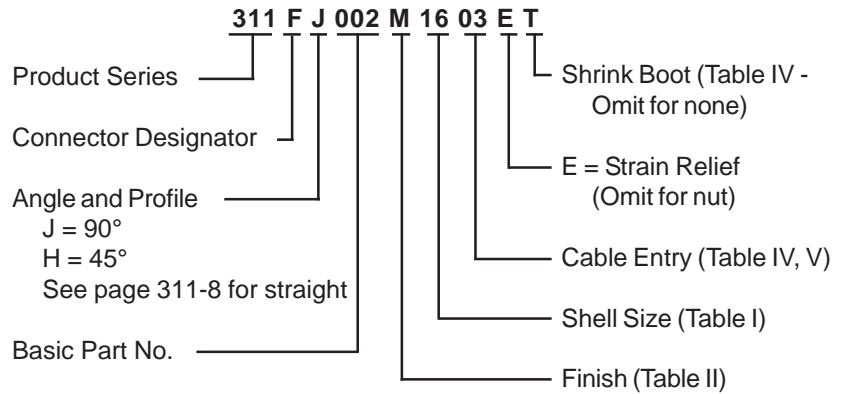


**CONNECTOR  
 DESIGNATORS**  
**A-B\*-C-D-E-F**  
**G-H-J-K-L-S**

\* Conn. Desig. B See Note 4

**DIRECT  
 COUPLING**



**STYLE E  
 STRAIN RELIEF**

**311-002**  
**Lamp-Base Thread EMI/RFI Shrink Boot Adapter**  
**with Strain Relief and Optional Shrink Boot**  
**Direct Coupling - Standard Profile**



See inside back cover fold-out  
 or pages 13 and 14  
 for unabridged Tables I and II.

1. Cable Entry or range is defined as the accommodation range for the wire bundle or cable. Dimensions shown are not intended for inspection criteria.
2. See Shrink Boot Reference Information (page 40).
3. Metric dimensions (mm) are indicated in parentheses.
4. When using Connector Designator B refer to pages 18 and 19 for part number development.

**TABLE III: FRONT ADAPTER**

Shell Size	J Max - Conn. Designator		
	A-E-F		
	J-H-L-S	D-B-G-K	C
08/09	1.180 (30.0)	1.250 (31.8)	
10/11	1.180 (30.0)	1.250 (31.8)	
12/13	1.180 (30.0)	1.250 (31.8)	1.735 (44.1)
14/15	1.180 (30.0)	1.250 (31.8)	1.915 (48.6)
16/17	1.380 (35.0)	1.560 (39.6)	1.915 (48.6)
18/19	1.380 (35.0)	1.560 (39.6)	1.915 (48.6)
20/21	1.380 (35.0)	1.560 (39.6)	1.915 (48.6)
22/23	1.380 (35.0)	1.560 (39.6)	1.915 (48.6)
24/25	1.380 (35.0)	1.560 (39.6)	1.915 (48.6)
28/29	1.610 (40.9)	1.560 (39.6)	1.915 (48.6)
32/33	1.610 (40.9)	1.750 (44.5)	1.915 (48.6)
36	1.610 (40.9)	1.750 (44.5)	1.915 (48.6)
40	1.610 (40.9)	2.190 (55.6)	1.915 (48.6)

**TABLE IV: CABLE ENTRY/DIMENSIONS/SHRINK BOOT**

Dash No.	E Max	F Max	G Max	H Max	K Max	Cable Entry Max	Shrink Boot
01	.639 (16.2)	1.078 (27.4)	.750 (19.1)	1.188 (30.2)	.448 (11.4)	.125 (3.2)	n/a
02	.664 (16.9)	1.108 (28.1)	.810 (20.6)	1.248 (31.7)	.515 (13.1)	.250 (6.4)	770-001S103
03	.688 (17.5)	1.128 (28.7)	.870 (22.1)	1.308 (33.2)	.640 (16.3)	.375 (9.5)	770-001S103
04	.705 (17.9)	1.158 (29.4)	.920 (23.4)	1.378 (35.0)	.765 (19.4)	.500 (12.7)	770-001S104
05	.732 (18.6)	1.178 (29.9)	.980 (24.9)	1.438 (36.5)	.920 (23.4)	.625 (15.9)	770-001S104
06	.773 (19.6)	1.208 (30.7)	1.080 (27.4)	1.518 (38.6)	1.015 (25.8)	.750 (19.1)	770-001S105
07	.800 (20.3)	1.248 (31.7)	1.140 (29.0)	1.598 (40.6)	1.140 (29.0)	.875 (22.2)	770-001S106
08	.823 (20.9)	1.278 (32.5)	1.200 (30.5)	1.668 (42.4)	1.265 (32.1)	1.000 (25.4)	770-001S106
09	.823 (20.9)	1.278 (32.5)	1.200 (30.5)	1.668 (42.4)	1.432 (36.4)	1.125 (28.6)	770-001S107
10	1.041 (26.4)	1.448 (36.8)	1.480 (37.6)	1.908 (48.5)	1.515 (38.5)	1.250 (31.8)	770-001S107
11	1.041 (26.4)	1.448 (36.8)	1.480 (37.6)	1.908 (48.5)	1.640 (41.7)	1.375 (34.9)	770-001S108
12	1.092 (27.7)	1.488 (37.8)	1.610 (40.9)	1.998 (50.7)	1.765 (44.8)	1.500 (38.1)	770-001S108
13	1.136 (28.9)	1.538 (39.1)	1.720 (43.7)	2.108 (53.5)	2.015 (51.2)	1.750 (44.5)	770-001S108

**TABLE II - STANDARD FINISHES**

GLENAIR SYMBOL FINISH	
B	Cadmium Plate, Olive Drab
M	Electroless Nickel
NF	Cadmium Plate, Olive Drab Over Electroless Nickel
See Inside Back Cover for Complete Finish Information and Additional Finish Options	

**TABLE V: CABLE ENTRY/DIMENSIONS**

Dash No.	L Max	Cable Range	
		Min	Max
02	.968 (24.6)	.125 (3.2)	.250 (6.4)
03	1.046 (26.6)	.250 (6.4)	.375 (9.5)
04	1.156 (29.4)	.312 (7.9)	.500 (12.7)
05	1.219 (31.0)	.437 (11.1)	.625 (15.9)
06	1.343 (34.1)	.562 (14.3)	.750 (19.1)
07	1.469 (37.3)	.687 (17.4)	.875 (22.2)
08	1.594 (40.5)	.812 (20.6)	1.000 (25.4)
09	1.719 (43.7)	.937 (23.8)	1.125 (28.6)
10	1.844 (46.8)	1.062 (27.0)	1.250 (31.8)