

# R.F. CHOKES (1537-1538 Series)

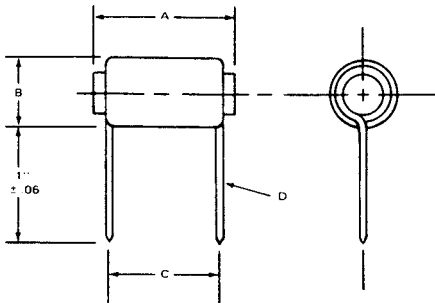
## HIGH CURRENT CHOKES

- Large ferrite core for extended saturation point, optimum frequency range .01-2 Mhz.
- 1.5" long leads (+/- 0.1")
- Test frequency 1 KHz.
- Core length 1.25". Coil is covered with vinyl shrink sleeve.

Chokes



Part No.	Inductance +/- 5% uH	Min. Q	D.C. Resistance Ohms	Max. D.C. Current Amps	Coil Dia. In.	Lead Dia. Gauge
1537E	10	4.5	0.006	20	0.63	14
1537F	20	6.5	0.013	12.5	0.60	16
1537G	30	5.3	0.024	8	0.58	18
1537H	40	5.2	0.039	5	0.57	20
1537J	50	3.4	0.064	3.2	0.56	20
1537K	75	3.2	0.128	2	0.54	20
1537L	100	10.5	0.05	8	0.71	18
1537M	250	12.0	0.114	5	0.69	18
1537N	500	11.6	0.26	3.2	0.65	20
1537P	750	10.0	0.465	2	0.61	20
1537R	1000	7.4	0.83	1.25	0.59	20



## EMI/RFI CHOKES

- High saturation flux density ferrite rods.
- 1" long leads, tinned to within 1/8" of body.
- Ideal for filtering or energy storage inductors.
- Inductance measured at @ 1Khz. with 0 amps. D.C. current, typical inductance change is less than 5% @ twice rated current.



Part No.	Inductance L uH +/- 10%	Fo Min. MHz	R - D.C. Max. Ohms	I - D.C. Max. Amps	Max. Dim. A	Max. Dim. B	Typ. Dim. C	Typ. Dim. D
1538M01	5	32.4	0.013	10	0.88	0.63	0.50	0.042
1538M02	10	21.6	0.017	9	1.12	0.63	0.69	0.042
1538M03	27	5.6	0.03	7	0.88	0.81	0.44	0.042
1538M04	50	3.44	0.04	5.6	0.88	0.81	0.75	0.042
1538M05	100	2.08	0.061	4.9	1.12	0.81	0.94	0.042
1538M06	150	1.84	0.069	4.6	1.38	0.81	1.06	0.042
1538M07	250	1.1	0.089	4	1.62	0.81	1.31	0.042
1538M08	5	27.2	0.009	14	0.88	0.64	0.75	0.053
1538M09	10	21.7	0.012	12	1.12	0.64	1.00	0.053
1538M10	27	5.6	0.022	9	0.88	0.88	0.56	0.053
1538M11	50	4.4	0.028	8	1.12	0.88	0.75	0.053
1538M12	68	3.6	0.034	7.3	1.12	0.88	0.88	0.053
1538M13	100	2.4	0.038	6.8	1.38	0.88	1.00	0.053
1538M14	150	1.6	0.046	6.3	1.62	0.88	1.25	0.053
1538M15	5	34.7	0.006	19	1.12	0.69	0.81	0.065
1538M16	10	20	0.008	16	1.38	0.94	1.22	0.065
1538M17	27	6.2	0.014	12.5	1.12	0.94	0.69	0.065
1538M18	50	3.8	0.02	10.5	1.38	0.94	0.94	0.065
1538M19	68	3.2	0.023	10	1.38	0.94	1.12	0.065
1538M20	100	2.2	0.027	10	1.62	0.94	1.31	0.065
1538M21	5	30.8	0.004	23	1.38	0.72	0.94	0.082
1538M22	10	20	0.006	20	1.69	0.72	1.50	0.082
1538M23	27	6.4	0.010	15	1.38	1.00	0.94	0.082
1538M24	50	3.5	0.013	15	1.62	1.00	1.12	0.082



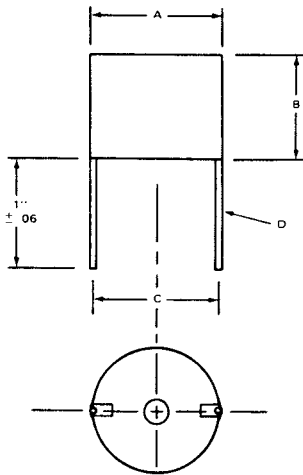
**CANADA**  
Guelph, Ontario (519) 822-2960  
St. Laurent, Quebec (514) 343-9010  
**USA**  
Cheektowaga, NY (716) 630-7030

[www.hammondmfg.com](http://www.hammondmfg.com)



**EUROPE**  
Basingstoke, UK 01256 812812

**AUSTRALIA**  
Queenstown, Australia 61-8-8240-2244



## EMI/RFI CHOKES

- High saturation flux density ferrite bobbins.
- 1" long leads, tinned to within 1/8" of body.
- Ideal for filtering or energy storage inductors.
- Inductance measured at @ 1Khz. with 0 amps. D.C. current, typical inductance change is less than 5% @ twice rated current.

Part No.	Inductance L uH +/- 10%	Fo Min. MHz	R - D.C. Max. Ohms	I - D.C. Max. Amps	Max. Dim. A	Max. Dim. B	Typ. Dim. C	Typ. Dim. D
1539M01	5	24.7	0.007	15	0.83	0.91	0.59	0.065
1539M02	10	11.4	0.008	14	0.83	0.91	0.60	0.065
1539M03	25	6.2	0.023	8	0.83	0.91	0.57	0.042
1539M04	50	4.1	0.034	6.6	0.83	0.91	0.65	0.042
1539M05	100	2.4	0.072	4.5	0.83	0.91	0.69	0.042
1539M06	250	1.6	0.173	2.9	0.83	0.91	0.65	0.042
1539M07	500	1	0.378	2	0.83	0.91	0.68	0.042
1539M08	1000	0.7	0.801	1.3	0.83	0.91	0.66	0.042
1539M09	2500	0.43	2.04	0.85	0.83	0.91	0.71	0.042
1539M10	5	26.7	0.005	20	1.22	1.11	0.94	0.082
1539M11	10	15.6	0.006	17	1.22	1.11	0.95	0.082
1539M12	25	5.2	0.009	14	1.22	1.11	0.93	0.082
1539M13	50	3.6	0.017	10	1.22	1.11	0.99	0.065
1539M14	100	2.2	0.034	7	1.22	1.11	0.85	0.053
1539M15	250	1.2	0.083	4.6	1.22	1.11	0.97	0.053
1539M16	500	0.89	0.129	3.7	1.22	1.11	1.12	0.053
1539M17	1000	0.58	0.279	2.5	1.22	1.11	1.05	0.053
1539M18	2500	0.35	0.69	1.6	1.22	1.11	1.05	0.053
1539M19	50	3.4	0.012	14	1.50	1.11	1.23	0.082
1539M20	100	2	0.025	9.8	1.50	1.11	1.12	0.065
1539M21	250	1.3	0.059	6.4	1.50	1.11	1.10	0.053
1539M22	500	0.9	0.09	5	1.50	1.11	1.14	0.053
1539M23	1000	0.54	0.195	3.5	1.50	1.11	1.36	0.053
1539M24	2500	0.34	0.499	2.2	1.50	1.11	1.32	0.053
1539M25	5000	0.24	1.08	1.5	1.50	1.11	1.27	0.053
1539M26	100	1.8	0.018	14	1.50	1.50	1.18	0.082
1539M27	250	1	0.040	9	1.50	1.50	1.12	0.065
1539M28	500	0.7	0.085	6.5	1.50	1.50	1.06	0.053
1539M29	1000	0.44	0.183	4.4	1.50	1.50	1.23	0.053
1539M30	2500	0.26	0.464	2.8	1.50	1.50	1.21	0.053
1539M31	5000	0.19	0.714	2.2	1.50	1.50	1.32	0.053
1539M32	10000	0.13	1.55	1.5	1.50	1.50	1.25	0.053

### EUROPE

Basingstoke, UK 01256 812812

### AUSTRALIA

Queenstown, Australia 61-8-8240-2244

[www.hammondmfg.com](http://www.hammondmfg.com)



### CANADA

Guelph, Ontario (519) 822-2960  
St. Laurent, Quebec (514) 343-9010

### USA

Cheektowaga, NY (716) 630-7030

