

**SERIES 37F**  
**PIEZO Pushbutton Switches**

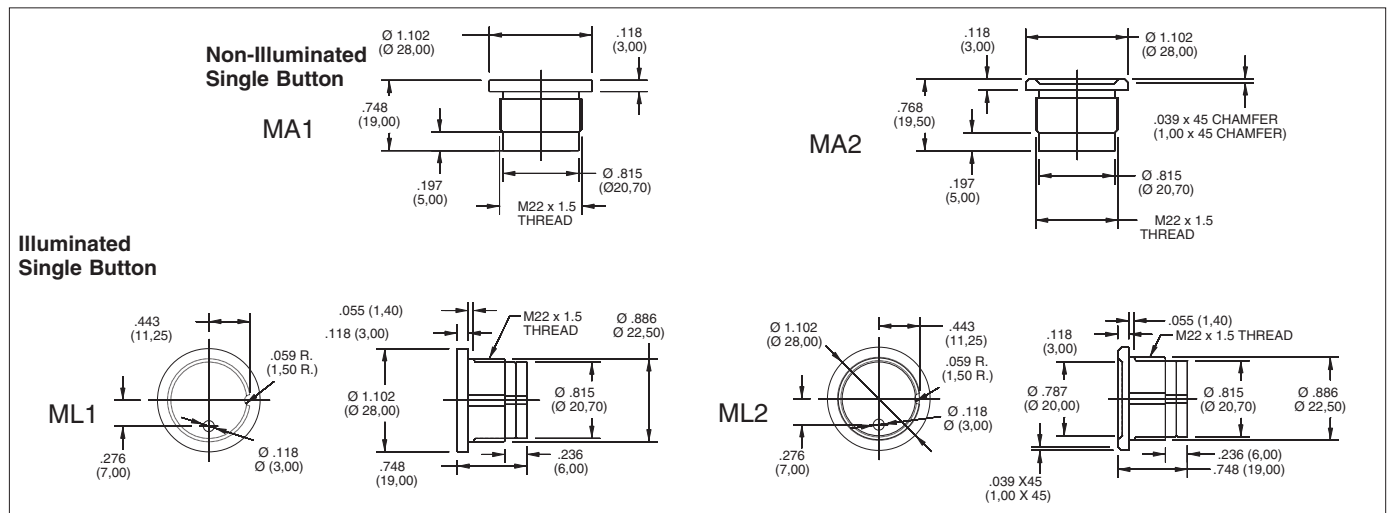


**FEATURES**

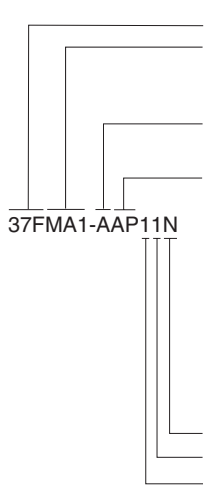
- Fully Sealed
- Virtually Indestructible
- Vandal Resistant
- Indoor and Outdoor Use



**DIMENSIONS** In inches (and millimeters)



**ORDERING INFORMATION, 37FMA AND 37FML**

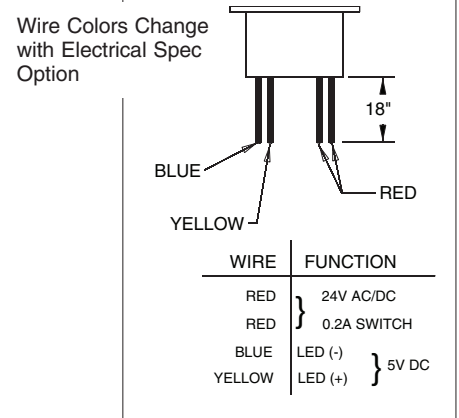


**Grayhill Series**  
**Housing Type**  
 MA1, MA2  
 ML1\*, ML2\*

**Circuitry**  
 A - N.O., B - N.C.

**Electrical Specifications**  
 AW - V Max: 24V, I Max: 0.2 A AC/DC, Term: Red wire  
 BW - V Max: 24V, I Max: 0.2 A AC/DC, 150 Transient, Term: Purple wire  
 CW - V Max: 24V, I Max: 1.0 A AC/DC, 150 Transient Term: Orange/White wire  
 EW - V Max: 24V, I Max: 0.2 A AC/DC, Term: Green wire, N.C. Circuitry Option Only  
 AP - V. Max: 24V, I Max 0.2 A AC/DC, Term: PIN  
 CP\*\* - V Max: 24V, I Max: 1.0 A AC/DC, Term: PIN

**Housing Color:** N - Natural  
**Housing Material:** 1 - Aluminum  
**LED:** 1- Red, 2 - Green, 3 - Yellow, 4 - Red/Green



\*LED Option

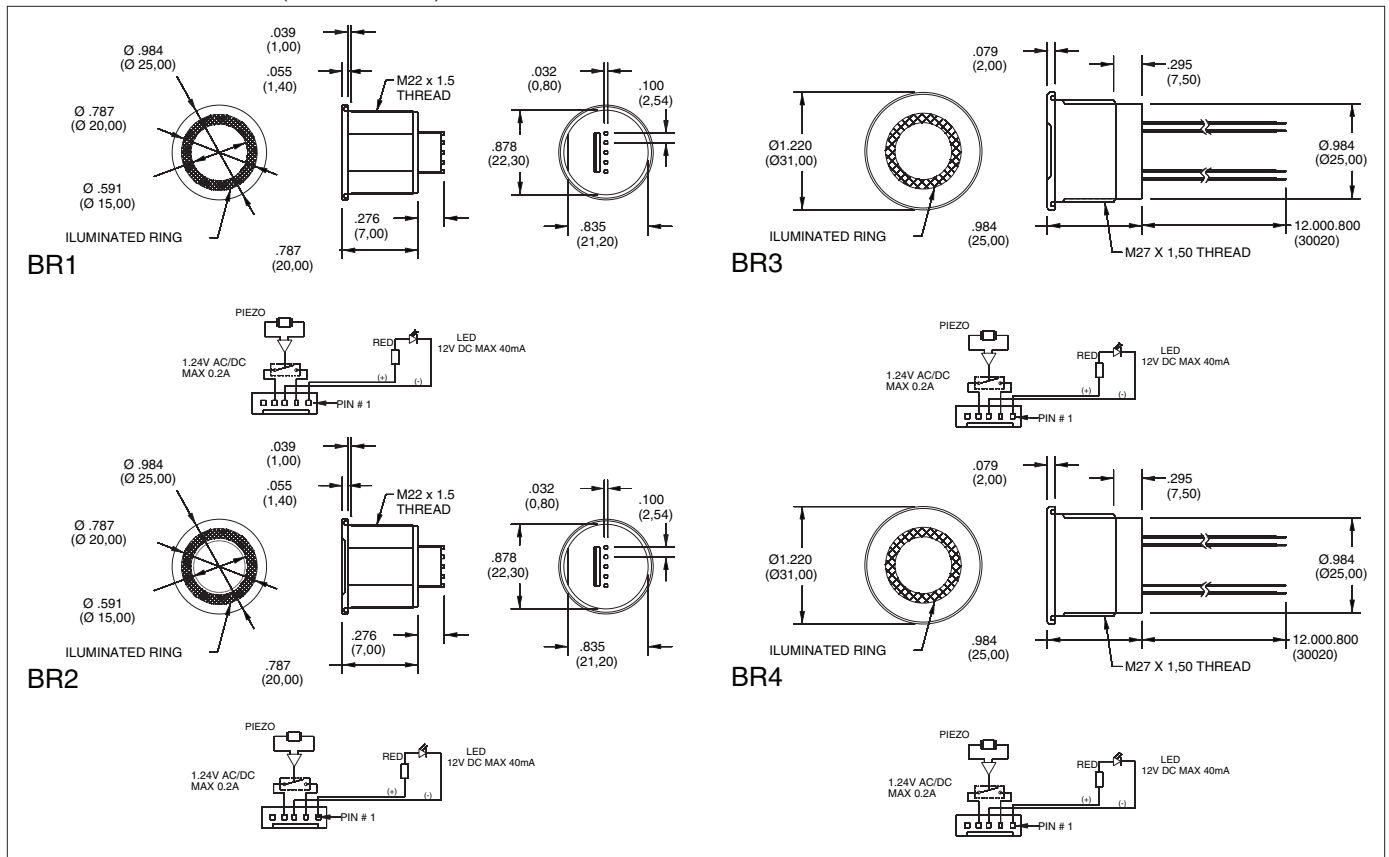
\*\*This Option Not Available with LED Housing ML1 or ML2

\*\*\*Only Available with Housing Types ML1 and ML2.

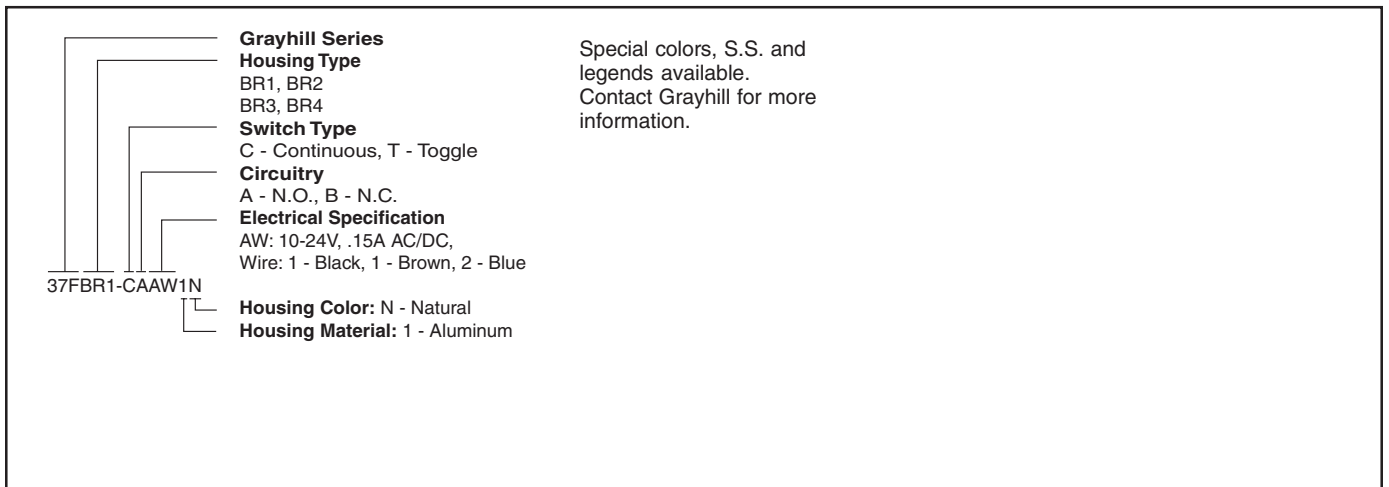
Special colors, S.S. and legends available. Contact Grayhill for more information.

Keyboards and Keypads

**DIMENSIONS** In inches (and millimeters)



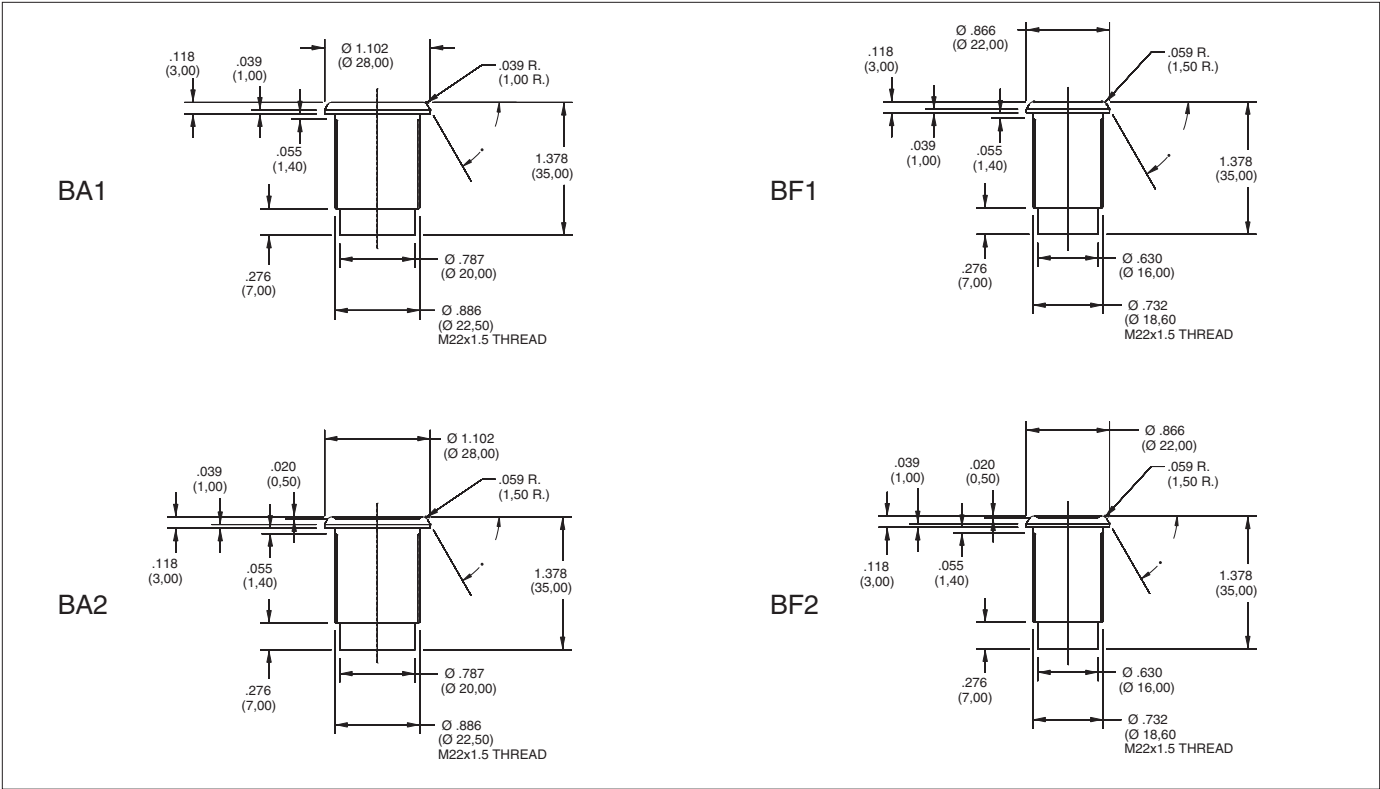
**ORDERING INFORMATION, 37FBR**



Available from your local Grayhill Component Distributor. For prices and discounts, contact a local Sales Office, an authorized local Distributor or Grayhill.

Special configurations and legends available. Contact Grayhill for more information.

**DIMENSIONS** In inches (and millimeters)



Keypads and Keypads

**SPECIFICATIONS**

**Rated Voltage:** 0-24V AC/DC

**Rate Current:** 0-24 amps.

**Resistance "ON":** <10 Ohms

**Resistance "OFF":** >5 megohms

**Switch Capacitance:** 25pF

**Activation Force:** 3-5N Typ.

**Switch Action:**

**Momentary:** 120 Msec. Pulse type

**Continuous:** Circuit is closed as long as switch is pressed, 30 sec. max.

**Toggle:** Switch changes position at each activation.

**Lifecycle:** >50 million

**Operating Temp:** -40°C- 85°C standard. (-40°C- 125°C upon request)

**Storage Temp:** -40°C- 125°C

**EMI or RFI Effect:** None

**Protection System:** IP68 according to IEC529

**LED:** 5Vdc, 1 max, 10 mA

**Housing Material:** Aluminum

**ORDERING INFORMATION, 37FBA & 37FBF**

|  |                                       |  |
|--|---------------------------------------|--|
|  | <b>Grayhill Series</b>                |  |
|  | <b>Housing Type</b>                   | BA1, BA2<br>BF1, BF2   |
|  | <b>Switch Type</b>                    | C - Continuous, T - Toggle   |
|  | <b>Circuitry</b>                      | A - N.O., B - N.C.   |
|  | <b>Electrical Specification</b>       | AW: 10-24V, .15A AC/DC,<br>Wire: 1 - Black, 1 - Brown, 2 - Blue                    |
|  | <b>Housing Color:</b> N - Natural     | Special colors, S.S. and legends available. Contact Grayhill for more information. |
|  | <b>Housing Material:</b> 1 - Aluminum |  |

Available from your local Grayhill Component Distributor. For prices and discounts, contact a local Sales Office, an authorized local Distributor or Grayhill.